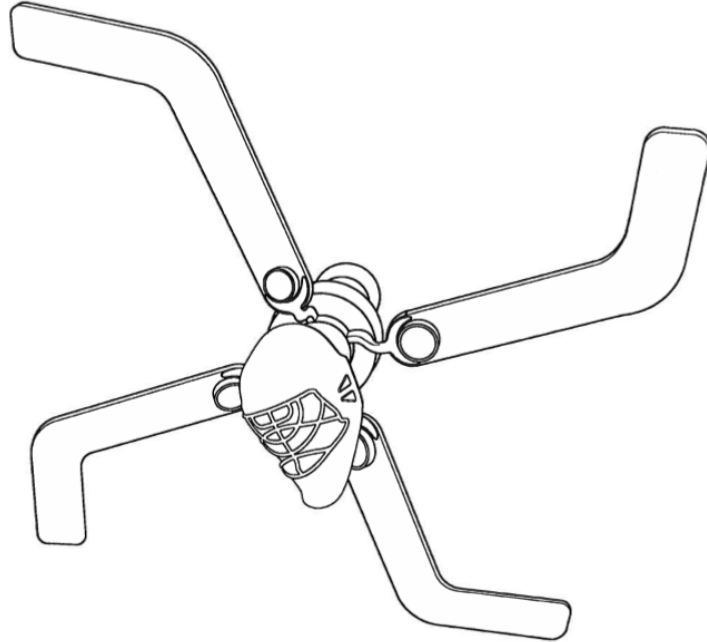


## CEILING FAN

Thank you for purchasing our product. This product is manufactured with the strictest quality control and complied to the relevant International Safety Standards. This instruction is a step by step guide to Installation and will provide information on maintenance and safety operation.



### SAFETY PRECAUTION

#### IMPORTANT: PLEASE READ BEFORE INSTALLATION

- 1 - To reduce the risk of fire, electrical shock, or personal injury, mount fan directly from building structure and/or an outlet box marked acceptable for fan support of 70 lbs (31.8 kg) and use the mounting screws provided with the outlet box.
- 2 - To avoid possible electrical shock, before installing or servicing your fan, disconnect the power by turning off the circuit breakers to the outlet box and associated wall switch location. If you cannot lock the circuit breakers in the off position, securely fasten a prominent warning device, such as a tag, to the service panel.
- 3 - To reduce the risk of fire, electrical shock, or motor damage, use the Speed Controls that come with the fan.
- 4 - To reduce the risk of personal injury, do not bend the blade brackets when installing the blade brackets, balancing the blades, or cleaning the fan. Do not insert foreign objects in between rotating fan blades.
- 5 - All wiring must be in accordance with national and local electrical codes ANSI/NFPA 70. If you are unfamiliar with wiring, use a qualified electrician.
- 6 - Use only Ultimate Sports Fans of Florida LLC replacement parts.

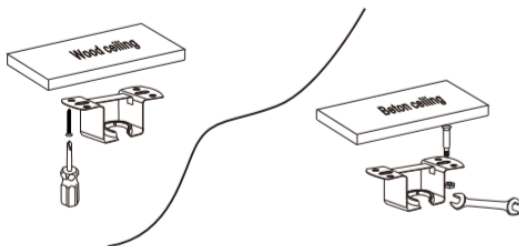
### SAFETY PRECAUTION

Check on the following before lodging a service report

Problem	Causes	Solution
Fan not moving	<ol style="list-style-type: none"> <li>1. Main cables not connected</li> <li>2. Wire connection loose</li> </ol>	<ol style="list-style-type: none"> <li>1. Check mains and branch circuit breakers or fuse.</li> <li>2. Check the line wires connections to the fan and switch housing.</li> </ol>
Fan noisy	<ol style="list-style-type: none"> <li>1. Housing screws are loose</li> <li>2. Wire nut connection rattles against each other</li> <li>3. Canopy touches the ceiling</li> </ol>	<ol style="list-style-type: none"> <li>1. Tighten all screws</li> <li>2. Separate and store neatly the wire nut connections</li> <li>3. Check that the canopy is not touching or too close to the ceiling</li> </ol>
Remote control not working	<ol style="list-style-type: none"> <li>1. Remote and receiver code different</li> <li>2. Battery not installed</li> <li>3. Weak battery</li> </ol>	<ol style="list-style-type: none"> <li>1. Check that the codes are exactly the same</li> <li>2. Install the remote control battery</li> <li>3. Change a new battery</li> </ol>

### HANGER BRACKET INSTALLATION

Secure the hanger bracket to the ceiling joist or suitable piece of timber inserted between the ceiling joists. The bracket should be attached with two long screws supplied.



### MAINTENANCE

Due to the fan's natural movement, connections may get loose after a period of usage. To ensure a proper and safety usage, is highly recommended to inspect and tighten all connections every 6 months

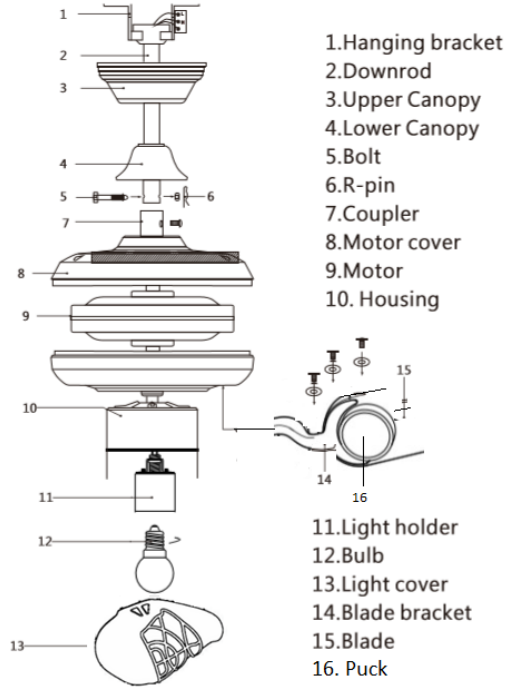
#### Cleaning

Clean your fan periodically to prolong its new appearance. Basic cleaning procedures are as follows:

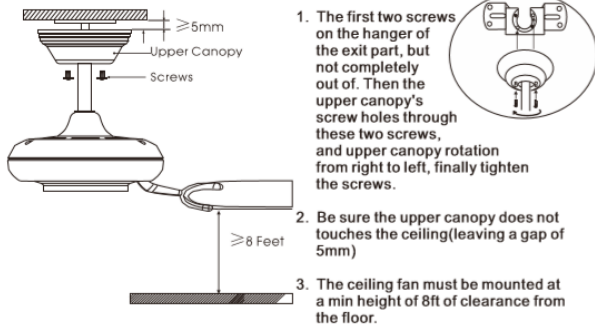
1. Use only lukewarm water. Do not use detergent, Corrosive or acidic solution.
2. Damp the cloth lightly. Use only soft or lint-free cloth to clean the fan. Rough fabric will scratch the surface.
3. To cover small scratches, apply a light coat of shoe polish over it
4. There is no need to oil the fan.

## PARTS & ACCESSORIES

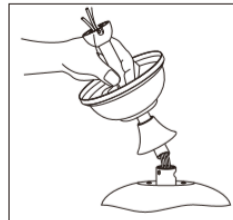
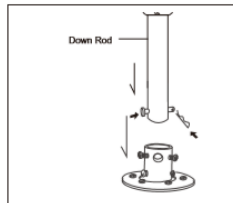
### PARTS & ACCESSORIES



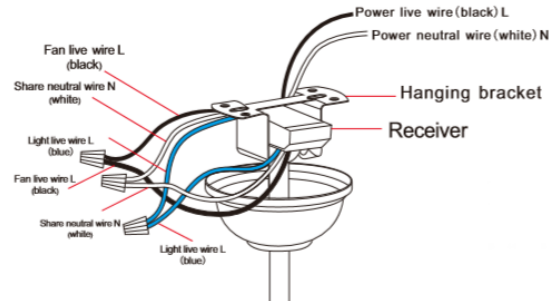
### INSTALLING LOCATION



### DOWN ROD INSTALLATION

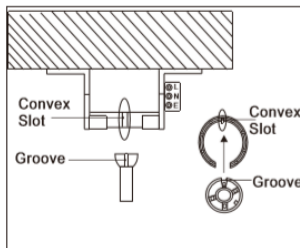


### Remote control circuit diagram



### Remote control instruction

### Hanging Installation



Turn on the ceiling fan directly by pressing the button (LOW, MED, HI) with the speed you want.

Light's turning on & off

Ceiling fan's turning off

Timing shutdown control  
(Pressing the Timing button (1H, 2H, 4H) for 2-3 seconds, after a "beep" sound, the ceiling fan will totally shutdown at time you set)

Ancillary function

RECALL: Start-up the ceiling fan with the speed at last time

DELAY 30S: Pressing the button for 2-3 seconds, after a "beep" sound, the ceiling fan will totally shut down after 30s.

SOFT: Start-up the ceiling fan with a slow speed.

