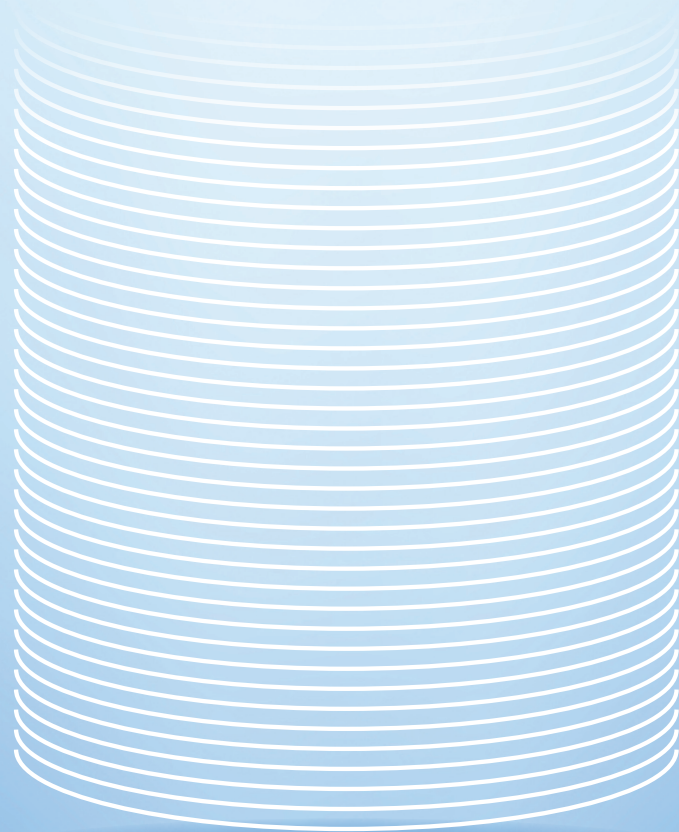


TAVLIT FILTERS

2018



TAVLIT

Quality that lasts



Adir Manual Filters

Tavlit professional line of plastic filters is high quality, robust and with large filtration area. The filters are available from 1" to 3" and for flow rates up to 50 m³/h. (220 gpm).

Applications:

- Water filtration for Agriculture, Turf, domestic and industrial applications.
- Applicable for wide range of flows.

Special Features

- Special locking ring enables easy opening of the filters without the use of tools.
- Filter disc element is secured to the body and includes a telescopic spine that extends to allow to easily clean the disc element.
- Large filtration area for handling large quantities of dirt.
 - 2"S; 3": Screen 950 cm²; Disc 1025 cm².
 - 1½"; 1"S: Screen 425 cm²; Disc 500 cm².

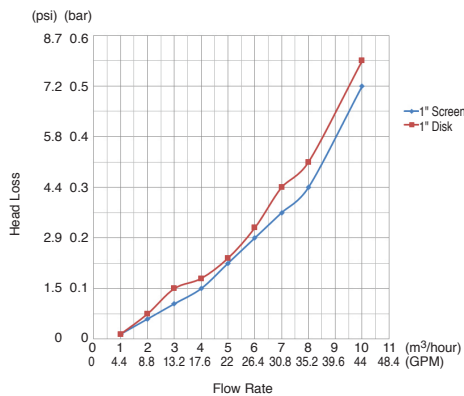


- Optional - Pressure indicator enables quick and easy way to show the user that the filter is clogged and needs flushing.
- The device, offered as an add on, is connected directly to the pressure testing ports located on the filter body.

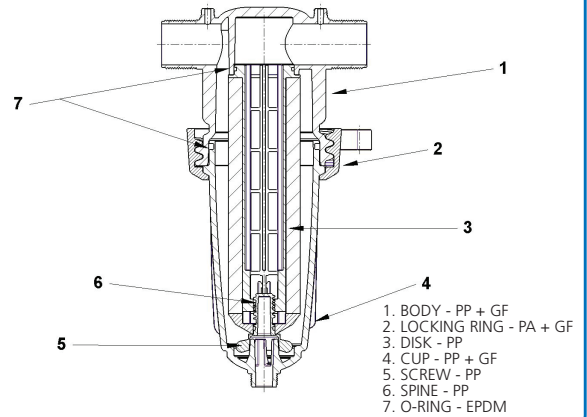
1"



1" ADIR FILTER HEAD LOSS



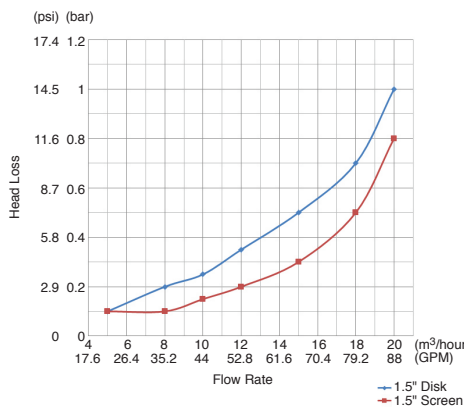
1", 1½" DISK FILTER



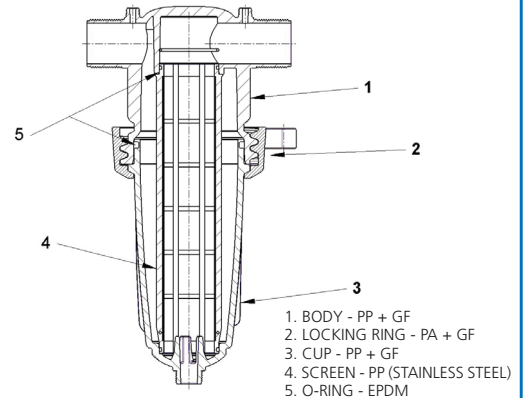
1½"



1.5" ADIR FILTER HEAD LOSS



1", 1½" SCREEN FILTER



Adir Manual Filters

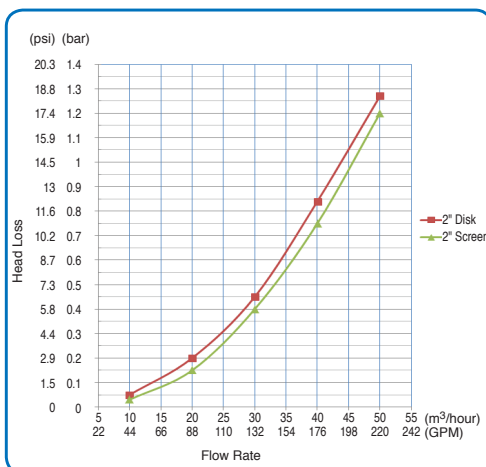
Technical Specifications:

- Max. Working pressure:
 - 10 bar (140 psi) Black body and Cup.
 - 6 bar (95 psi) Grey body and Cup.
- Available sizes: 1" S, 1 1/2", 2" S, 3"
- Models 2" S, 3" are offered in T and in line configurations.
- Filtration elements: Stainless Steel weave wire screen or Grooved plastic discs.
- Filtration range: 40 – 200 mesh (425 - 70 micron)
- Threads: B.S.P.T. or N.P.T.
- Available soon: Flanged connections.

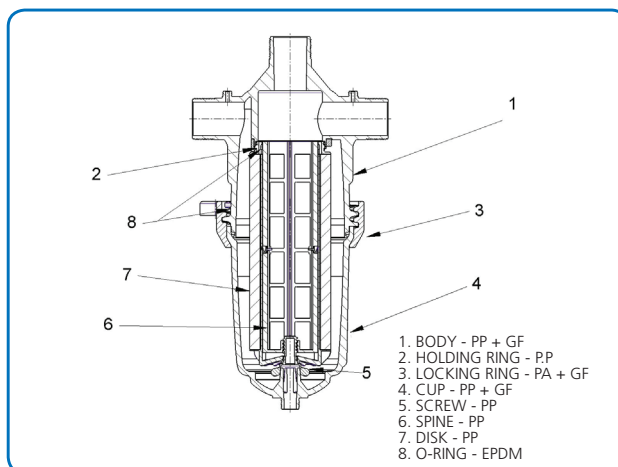
Size		1" S	1.5"	2" S	3"
Flow rate	m ³ /h (us gpm)	8 (35)	15 (66)	25 (110)	50 (220)
Screen filtration area	cm ² (inch ²)	425 (70)	425 (70)	950 (150)	950 (150)
Disc filtration area	cm ² (inch ²)	500 (80)	500 (80)	1025 (160)	1025 (160)
Stainless Steel screen	mesh (micron)	80-200 (200-70)	80-200 (200-70)	80-200 (200-70)	80-200 (200-70)
Disc element	mesh (micron)	40 - 140 (425 - 105)	40 - 140 (425 - 105)	40 - 140 (425 - 105)	40 - 140 (425 - 105)

2"

2" ADIR FILTERS HEAD LOSS



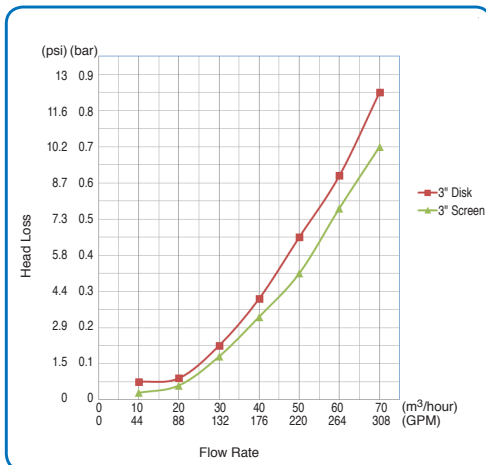
2", 3" DISK FILTER



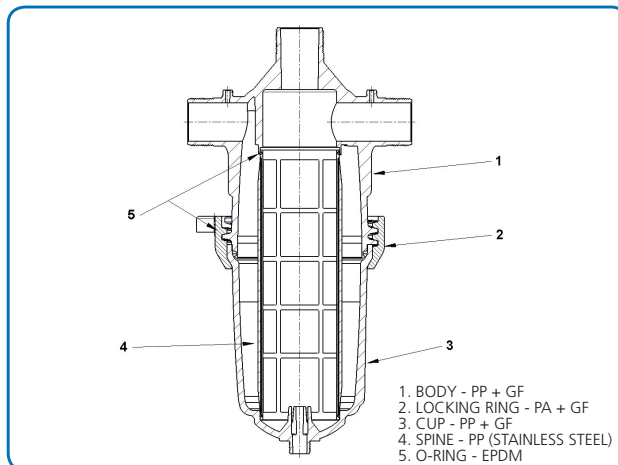
Available in T and in line configurations

3"

3" ADIR FILTERS HEAD LOSS



2", 3" SCREEN FILTER

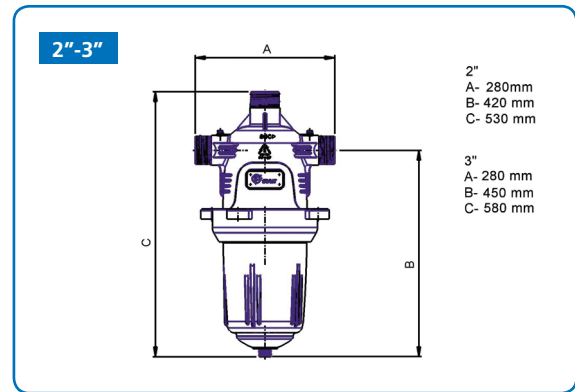
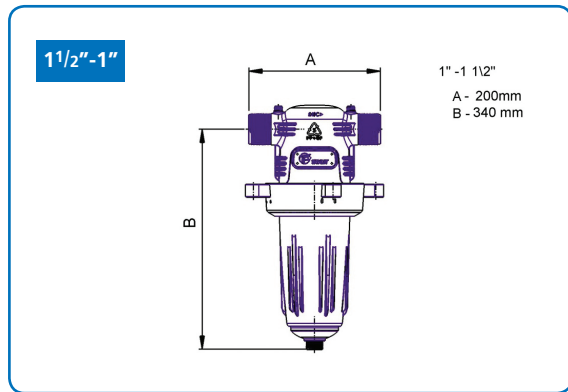


Available in T and in line configurations

Adir Manual Filters

Physical Dimensions

Size	1"S		1.5"		2"S		3"	
	mm	inch	mm	inch	mm	inch	mm	inch
A	200	7.9	200	7.9	280	11.0	280	11.0
B	340	13.4	340	13.4	450	17.7	450	17.7
C					580	22.8	580	22.8



Weight*

Weight	1"S	1.5"	2"S	3"
Kg.	1.50	1.70	4.60	5.30
Lbs.	3.30	3.75	10.00	11.70

*Filter empty

Filter Elements









In order to respond to the various needs Tavlit offers the Adir line of filters with two types of filter elements:

1. **Stainless steel** - Stainless steel weave wire screen.
2. **Grooved plastic** disc elements stacked together on a telescopic spine that can be released in order to perform proper flushing of the dirt accumulated on and between the discs.

A wide range of filtration degrees is offered for various applications.



Element Type And Mesh Color Code

Mesh/Micron	40/425	80/200	120/120	140/105	155/90	200/70
Stainless steel screen		Blue 	Red 		Green 	Violet 
Disc	Blue 	Yellow 	Red 	Black 		

Mesh count per Linear inch.

Micron in approximate values may vary between element types.

Eitan Manual Filters

Tavit offers a line of plastic filters combine high quality with an economical cost. The filters are available from ¾-2" and for flow rates up to 20m³/h (88 gpm).

Applications:

Water filtration for Agriculture, Turf, domestic & industrial use.

Features:

- Easy maintenance.
- Unique: swivel quick installation.
- Chemical and fertilizer resistant.
- Interchangeable filtration elements:
Disc and Screen elements fit same filter body, with opposite flow direction.



Swivel 2" Inox Screen Filter



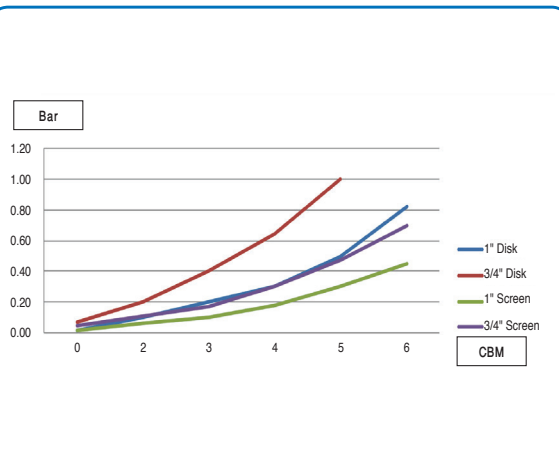
Compact Swivel Filter 1 1/2"



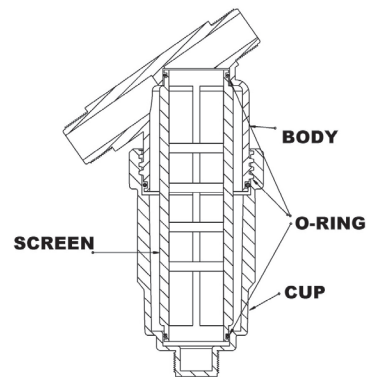
Swivel 1" Disk Filter

¾"-1"

¾"-1" SCREEN AND DISK EITAN FILTERS HEAD LOSS



SCREEN FILTER



Materials:
Body: P.P.
Screen: Stainless steel or Polyester.
Cup: P.P.
O-Rings: EPDM.



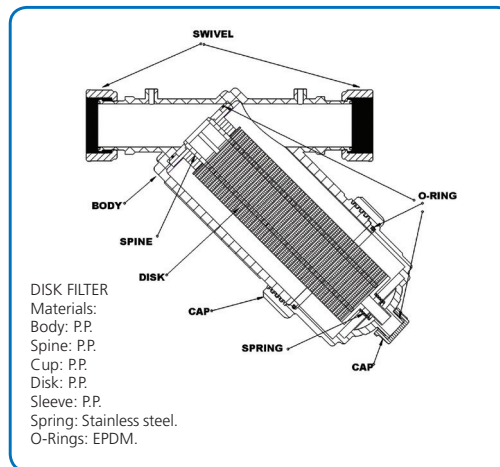
Eitan Manual Filters

Technical Specifications:

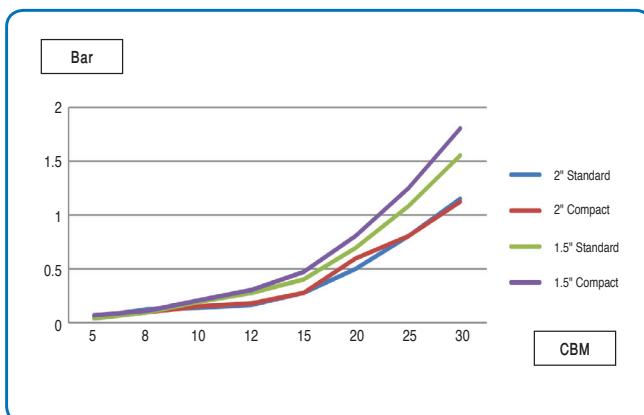
- Max. working pressure: 10 bar (145 psi).
- Threads: B.S.P.T. or N.P.T.
- Available sizes: ¾" -2".
- Flow rates: 5-20 m³/h (22- 88 gpm).
- Filtration elements: Disc, Nylon / Stainless steel screen.

	Standard				Compact	
	¾"	1"	1½"	2"	1½"	2"
Flow Rate m3/h (gpm)	5 (22)	5 (22)	15(66)	20 (88)	15(66)	20 (88)
Screen Filter Area cm² (inch²)	140 (22)	140 (22)	552 (85)	670 (104)	420 (65)	420 (65)
Disk Filter area cm² (inch²)	180 (28)	180 (28)	385 (60)	488 (75)	290 (45)	290 (45)
Nylon Screen Mesh Range	40-200	40-200				
Stainless Steel Mesh Range	80-200	80-200	80-200	80-200	80-200	80-200
Disk Mesh Range	80-140	80-140	80-140	80-140	80-140	80-140

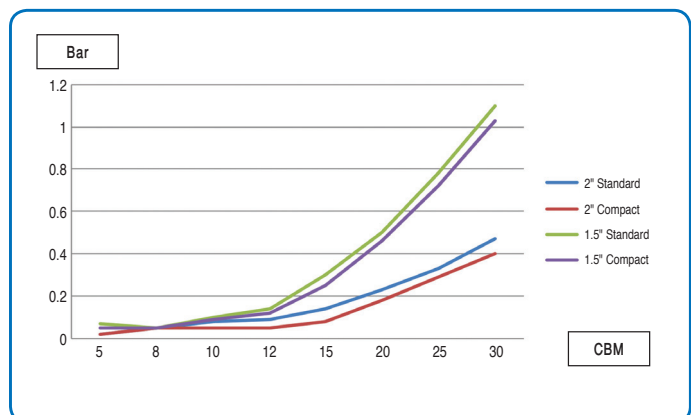
1½"-2"



1.5-2" EITAN DISC FILTERS HEAD LOSS



1.5-2" EITAN SCREEN FILTERS HEAD LOSS



Physical Dimensions

size	standard								compact			
	3/4"		1"		1 1/2"		2		1 1/2"		2	
	mm	inch	mm	inch	mm	inch	mm	inch	mm	inch	mm	inch
a	121	4.8	121	4.8	257	10.3	257	10.3	257	10.3	257	10.3
B	160	6.4	160	6.4	240	9.6	270	10.8	220	8.8	220	8.8
L	153	6.1	153	6.1	220	8.8	265	10.6	170	6.8	170	6.8
D	31	1.2	31	1.2	80	3.2	80	3.2	80	3.2	80	3.2

Weight

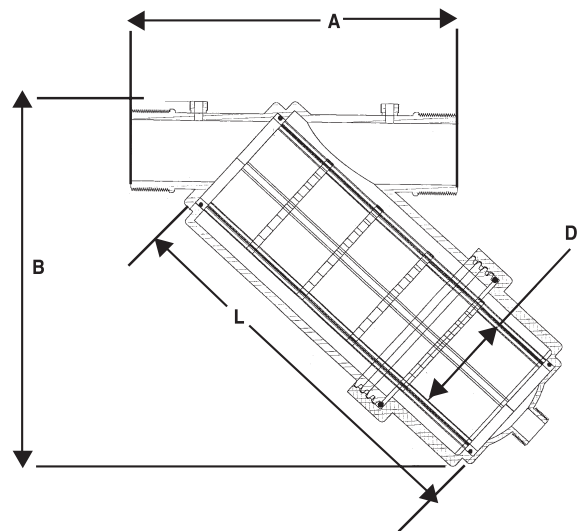
size	standard				compact	
	3/4"	1"	1 1/2"	2	1 1/2"	2
Kg	0.3	0.3	1.3	1.5	1.1	1.25
Lbs.	0.7	0.7	2.9	3.3	2.4	2.8

Filter elements:



















In order to respond to market various needs Tavlit offers two types of filter elements for the Eitan filters:

Screen: Nylon or Stainless steel.

Discs: Grooved plastic discs stacked together on a spine.



Element Type and Mesh Color Code


Mesh/Micron	40/425	80/200	120/120	140/105	155/90	200/70
Polyester screen	Dark Blue 	Blue 	Red 		Green 	Violet 
Stainless steel screen		Blue 	Red 		Green 	Violet 
Disk	Blue 	Yellow 	Red 	Black 		

Mesh count per Square inch.

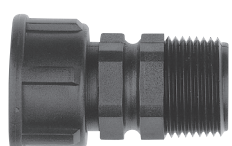
Micron in approximate values may vary between element types.

On Line Filter

Specially designed connector for:

ON LINE FILTER FEMALE/BARB ADAPTOR		
	Cat. No.	Size
	FA1234F	12X3/4F
	FA1634F	16X3/4F
	FA2034F	20X3/4F

Inox screen 60 mesh

M/F SWIVEL FILTER		
	Cat. No.	Size
	FSFM34	3/4"X3/4"

Inox screen 60 mesh

TAVLIT offers a unique and innovative semi-automatic disc filter that enables the user the advantages of disc filtration without the need of opening the filter and manually cleaning the discs on one hand and without the expensive and sophisticated control systems of an automatic disc filters. The cleaning process is simple and quick. The user only has to turn the handle a ¼ of a turn for 10-20 seconds. The filters are available at 2 and 3" and flow rates up to 50m³/h (220 gpm).

Special Features:

- Flushing is performed simply by turning the operation handle a ¼ of a turn. Quick and easy.
- Water for flushing the discs is filtered with an internal screen.
- Small footprint.
- No external valves are required.

Applications:

- Water filtration for Agriculture, Turf and industry.
- Intended as control filter in subsections for easy cleaning.
- Most suitable for low quality water sources where the user prefers to clean the discs element without dismantling the filter.



Standard - Pressure indicator enables quick and easy way to show the user that the filter is dirty and needs flushing.

- When pressure loss across the filter element reaches the preset value, usually 0.5 bar (7 psi), the red button pops up and the user can see from a distance that the filter needs flushing.
- There is no need to perform manual pressure tests.
- After flushing the button descends into the indicator body.
- The device is connected directly to the pressure testing ports located on the filter body.

Filter is offered in two models:

TDS-1A – the cleaning process is performed in one action. The user just turns the handle and the filter performs a flushing cycle: Downstream closes, drain valve opens, discs are released and filtered water rotate the discs and removes the dirt. After approximately 10-20 seconds the discs are clean, the user turns the handle back and the filter resumes its filtering mode.

When the filter is clean the user needs to flush the secondary port by opening the service valve for 10 seconds.

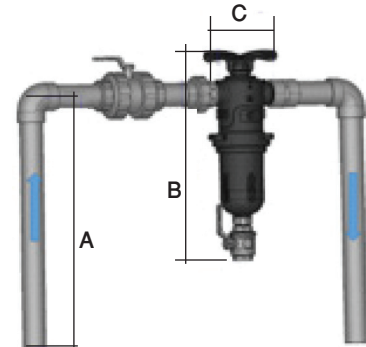
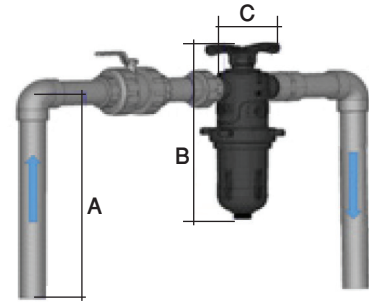
TDS-2A – the economical solution. The user opens the drain valve and then rotates the handle a ¼ of a turn and the filter performs a flushing cycle: Downstream closes, discs are released and filtered water rotate the discs and removes the dirt. After approximately 10-20 seconds the discs are clean, the user turns the handle back and closes the drain valve, the filter resumes its filtering mode.

When the filter is clean the user needs to flush the secondary port by opening the service valve for 10 seconds.

ADIR Semi –automatic disc filters series TDS

Technical specifications:

- Available sizes: 2 and 3".
- Max working pressure: 10 bar.
- Max. flow rate:
- 2" 25 m³/h
- 3" 50 m³/h
- Available in 40 – 140 mesh.
- Required time for flushing: 10-20 seconds.
- Required time to flush the secondary port - 10 seconds.
- Min. flushing pressure: 2 bar.
- Flushing flow rate:
- 2" - 15 m³/h
- 3" - 18 m³/h
- Filtration area: 1025 cm²
- Construction materials: Nylon, Polypropylene.



We recommend installing a manual valve in the upstream.

Physical Dimensions

Dimensions (mm)	One Action	Two action
A	750	950
B	645	795
C	235	235

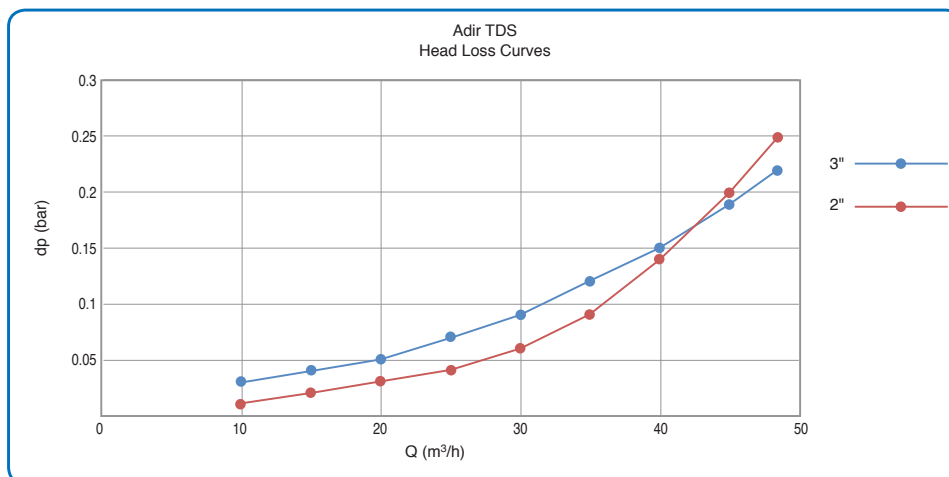
Weight (empty)

Size	Model	Weight (kg)	Weight (Lbs.)
2 - 3"	1 action	8.6	19
2 - 3"	2 action	9.3	20.5

Technical Specification

Size		2"S	3"
Flow rate	m ³ /h (gpm)	25 (110)	50 (220)
Disc filtration area	cm ² (inch ²)	1,025 (160)	1,025 (160)
Disc element	Mesh (micron)	40 – 140 (425 – 105)	40 – 140 (425 – 105)

HEAD LOSS CHART



13 Nahal Snir St. North industrial zone Yavne, Israel 8122450
 Tel: 972-8-9328010, Fax: 972-8-9328020 export@tavlit.co.il www.tavlit.co.il

ADIR Semi-automatic screen filters series TS

TAVLIT offers semi-automatic screen filters, models TS, for easy effective filtration. The plastic filters are designed for long life and service in hard conditions and include a strong INOX 316 screen mesh. During operation water enters the filter and dirt is accumulated on the inner surface of the screen and clean water is supplied to the field. When the filter is dirty as shown by the head-loss indicator, the user performs a flushing cycle by opening the drain valve and rotating the handle – Opening the drain valve creates low pressure in the suction nozzles and dirt is sucked from the screen to the nozzles. The rotation of the handle moves the suction nozzles on the entire screen area and remove all the accumulated dirt off the screen – debris is flushed through the drain port out of the filter. During the flushing cycle water flow to the field are uninterrupted. The filters are available in 2" and 3" for flow rates up to 50 m³/h (220 gpm).



Applications:

- Water filtration for agriculture, Turf and industry.
- Intended as control filter in subsections for easy cleaning.
- Most suitable for low quality water sources where the user prefers to clean the filter without dismantling it.

Technical specifications:

- Available sizes: 2" 3" .
- Max working pressure: 10 bar.
- Max. flow rate:
 - 2" 25 m³/h
 - 3" 50 m³/h
- Available in 40 – 140 mesh.
- Min. flushing pressure: 2 bar.
- Flushing flow rate:
 - 5.4 m³/h At 2 bar
 - 6.8 m³/h At 3 bar
- Filtration area: 950 cm²
- Construction materials: Nylon, Polypropylene.

Special Features:

- Water flow to the field is uninterrupted.
- Made from high quality plastics materials.
- High quality and robust SS 316 screen.
- Small foot print and large filtration area.
- Tailor made batteries of filters are available for higher flow rates.
- Optional - Pressure indicator clearly shows when the filter is dirty and needs flushing.

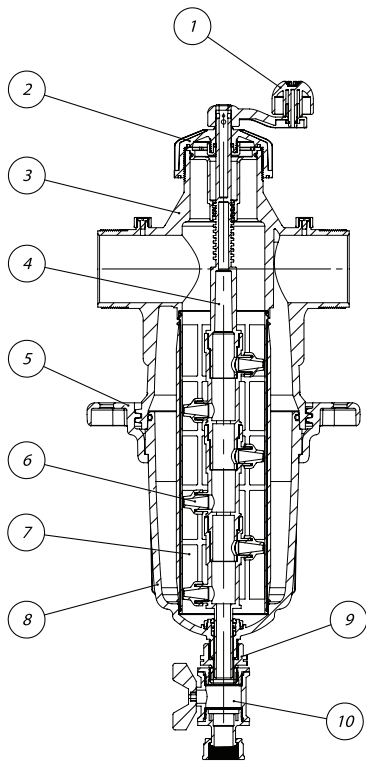
Technical Specification

Size		2"	3"
Flow rate	m ³ /h (gpm)	25 (110)	50 (220)
Screen area	cm ² (inch ²)	950 (150)	950 (150)
Screen element	Mesh (micron)	80 – 200 (200 – 70)	80 – 200 (200 – 70)

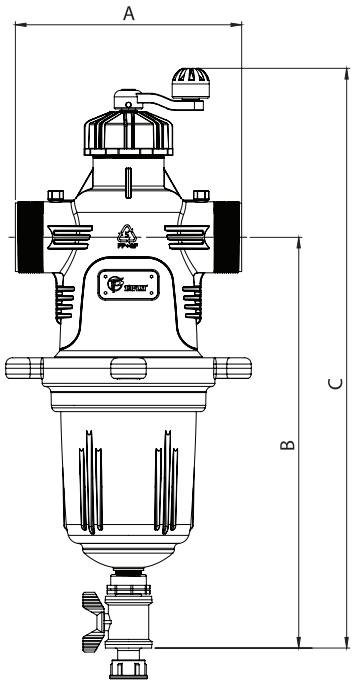
Weight (empty)

size	Weight Kg (lbs)
2"	4.5 (10)
3"	4.5 (10)

ADIR Semi-automatic screen filters series TS

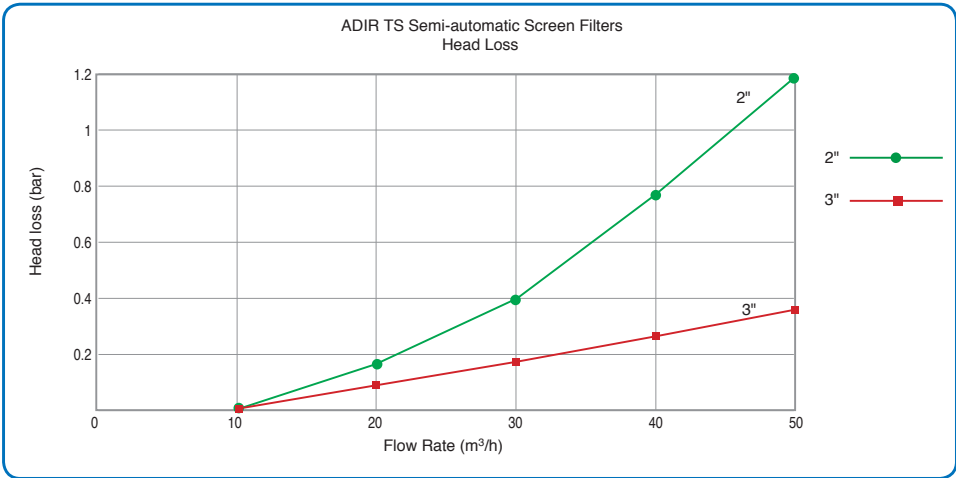


Item No.	Description
1	Handle
2	Cover
3	Filter Body
4	Flush Pipe
5	Locking Ring
5	Nozzle
7	Adir Screen Filter Inox
8	Filter Cup
9	Bushing 1" F / 1" M
10	Flush Valve 1"



Dimensions

Dimensions (mm)	2"	3"
A	280	280
B	490	508
C	720	750



Pressure indicator (optional)

The pressure indicator enables quick and easy way to show the user that the filter is clogged and needs flushing. When pressure loss across the filter element reaches the preset value, usually 0.5 bar (7 psi), the red button pops up and the user can see from a distance that the filter needs flushing. There is no need to perform manual pressure tests. After flushing the button descends into the indicator body. The device, offered as an-add on, is connected directly to the pressure testing ports located on the filter body.



Adir_semi-automatic_05.18_Eng.