

## GRINDER PUMPS



# GS Series

# TABLE OF CONTENTS

DATE

2012-07-16

TYPE

GRINDER PUMP

Table of Contents	02
Data Sheet	03
Parts List	04
Exploded View	05
Sectional Drawing	06
Outline Drawing	07
Performance Curve	08 ---- 11

**MODEL**

**GS-15**

**WHITE INTERNATIONAL PTY LTD**

# DATA SHEET

DATE

2012-07-16

TYPE

GRINDER PUMP

MODEL		GS-15	
Frequency		50Hz	60Hz
PUMP	Outlet (Discharge)	1-1/4"	
	Discharge Thread Specification	PT	
	Liquid Quality		
	Maximum Submersion Depth		
	Maximum Sand Handling Capability		
	Maximum Head		
	Maximum Flow		
	Rated Head	50 M	50 M
	Rated Flow	20 LPM	20 LPM
	Stages	1	
	Seal Type/Brand	M25—SIC / SIC	
	Seal Oil		
	Bearing Type/Brand	6303/6305LLUCM/L542 (Rubber Cover)	
	Impeller Type	Semi-open Impeller	
	Impeller Specification	Φ139	Φ139
	Impeller Material	SUS440C	
	Suspension Height		
	Soilds Passage		
	Minimum Water Level		
	Residual Water Level		
Ambient Temperature °C			
Maximum Liquid Temperature °C			
MOTOR	Motor Type	Induction Motor	
	Motor Cooling Oil	1200 cc	
	IP Grade of motor (Motor Enclosure)	IP 68	
	Insulation Grade of Silicon Steel Lamination	B	
	Coil Insulation Grade	B	
	Pole	4	
	RPM	1500	1500
	Phase / Volts	Three Phase / 380V	Single Phase / 220V
	Stator Size	Φ140*Φ85*80T*36slot	Φ140*Φ85*100T*36slot
	Motor No-load Current	1.3A	4.5A
	Motor No-Load Watt	430W	640W
	Maximum Current	3A	7A
	Loading Current	2.1A	6.3A
	Thermal Overload Protector	KA-311 DBXL55	KA-112 ABXL00H
Thermal Overload Protector Supplier	Yamada		
Capacitor	300uF/125V, 300uF/400V for start		

# SPARE PARTS LIST

TYPE

GRINDER PUMP

MODEL

GS-15

NO.	PART NO.	PART NAME	MATERIAL	SPECS	QUANTITY
1	30030134	Motor Upper Cover	FC200		1
2	30010232	Motor Housing	FC200		1
3	30190280	Rotor Shaft	SUS410	Φ 20* Φ 85*80T*410L	1
4	30170419	Coil		Φ 140* Φ 85*80T	1
5	30040123	Bearing Cover	FC200	Φ 151.5*15	1
6	30020244	Pump Housing	FC200		1
7	30500171	Spiral	SUS304		1
8	30500172	Rubber Stator	Rubber		1
9	30710051	Rubber Stator Jacket	PP	Φ 88*100L	1
10	30460050	Thermo Switch		KA-311 DBXL55	1
11	20110050	Upper Bearing		6303LLUCM/L542	1
12	20110045	Lower Bearing		6305LLUCM/L542	1
13	30140152	Mechanical Seal	SIC/SIC	M25	1
14	20610096	O-ring	NBR	Φ 134.4*3.1T	1
15	20610148	O-ring	NBR	Φ 139.4*3.1T	2
16	30570002	Packing	NBR	Φ 8* Φ 13.5*3T	1
17	30570004	Packing	NBR	2", 101*2t	1
18	30570052	Packing	NBR	97*97*3.2T	1
20	30080007	Flange	FC200	PT 1-1/4" (106*26)	1
21	30260001	Elbow	FC200	2", Φ 55→ Φ 55	1
22	30510020	Cutter	SUS440C	Φ 139	1
23	30520004	Cutter Ring	SUS440C	Φ 158	1
24	30530005	Cutter Seat	FC200	Φ 196*146	1
25	30720056	Feet	SUS304	Φ 8* Φ 300*138	2
26	30090027	Hanger			1
27	30130224	Cable		H07*1.5*4C*30M	1/3
28	30950003	Cable Gland	NBR	Φ 10,	1
29	30560011	Cable Gland Cover	FC200	Φ 75* Φ 24*21.2T	1
33	20580226	Screw	SUS304	M10*15L	2
34	20580008	Screw	SUS304	M8*10L	1
35	20580163	Screw	SUS304	M6*25L	2
36	20580007	Screw	SUS304	M8*25L	12
37	20580023	Screw	SUS304	M8*20L	4
38	20580016	Screw	SUS304	M8*30L	2
39	20580030	Screw	SUS304	M8*35L	4
40	20580006	Screw	SUS304	M6*10L	2
43	20580371	Screw	SUS304	M8*20L	1
45	20600038	Washer	SUS304	1/4"	2
46	20600003	Washer	SUS304	M8	8
		Washer	SUS304	M8	9
47	20600001	Washer	SUS304	M10	2
48	20600150	Washer	SUS304	3/8"* Φ 22*2t	2
49	20600119	Washer	Zinc plated Iron	1/4"* Φ 19*3t	2
50	30500061	Impeller Gasket	SUS304	Φ 28* Φ 9*10T	1
51	30680043	Pin	SUS410	Φ 4*25L	1

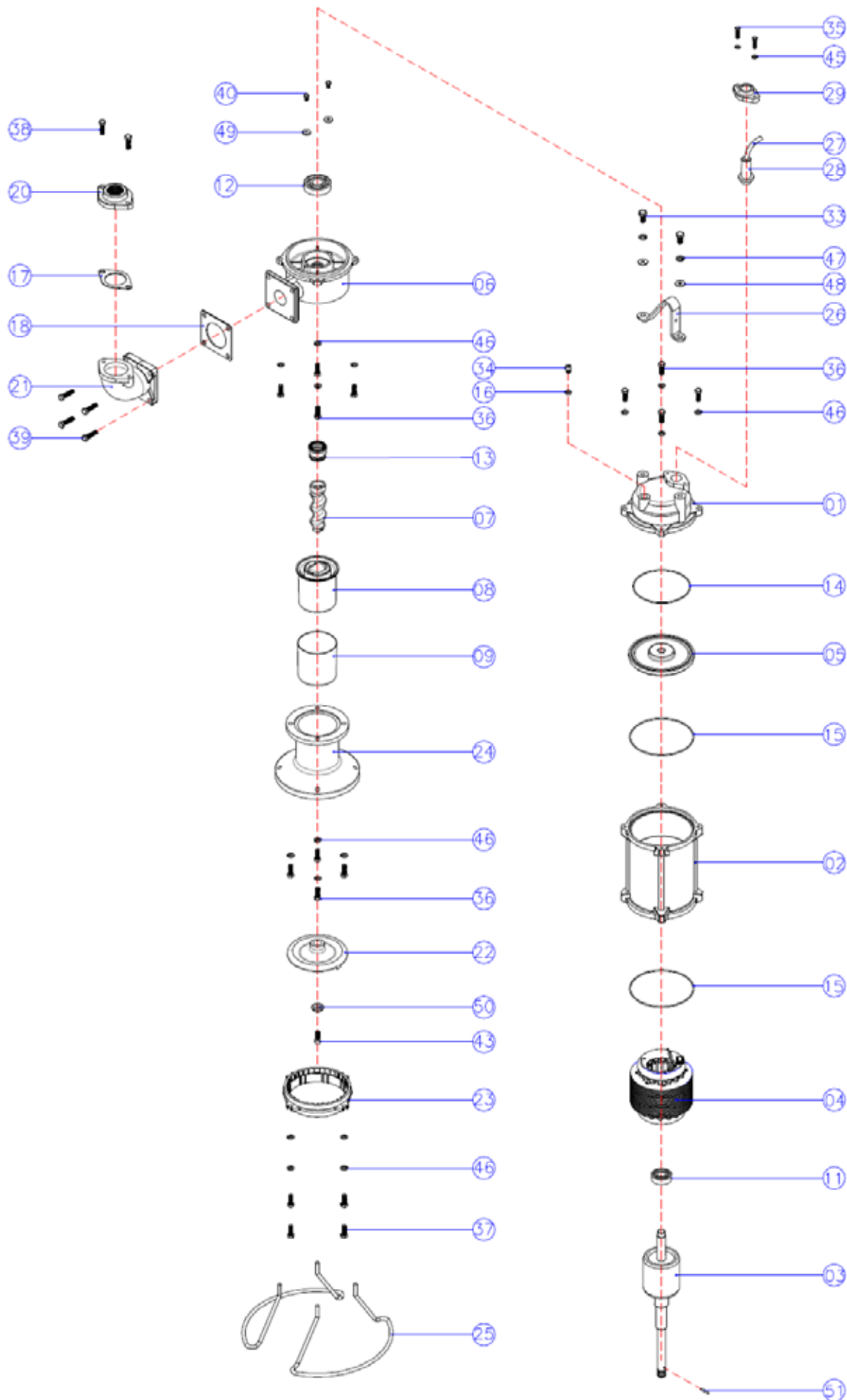
# EXPLODED VIEW

DATE

2012-07-16

TYPE

GRINDER PUMP



MODEL

GS-15

WHITE INTERNATIONAL PTY LTD

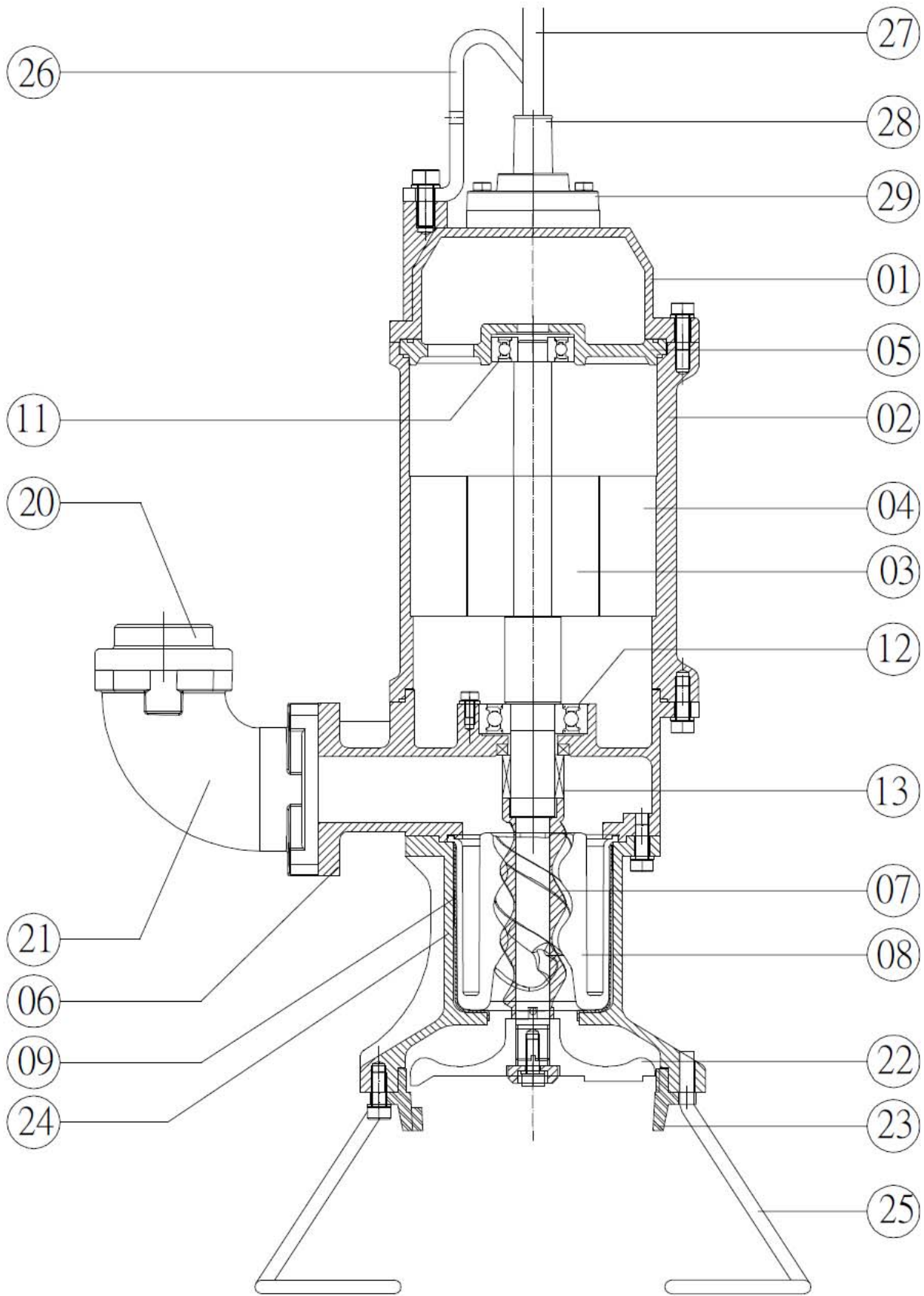
# SECTIONAL DRAWING

DATE

2012-07-16

TYPE

GRINDER PUMP



MODEL

GS-15

WHITE INTERNATIONAL PTY LTD

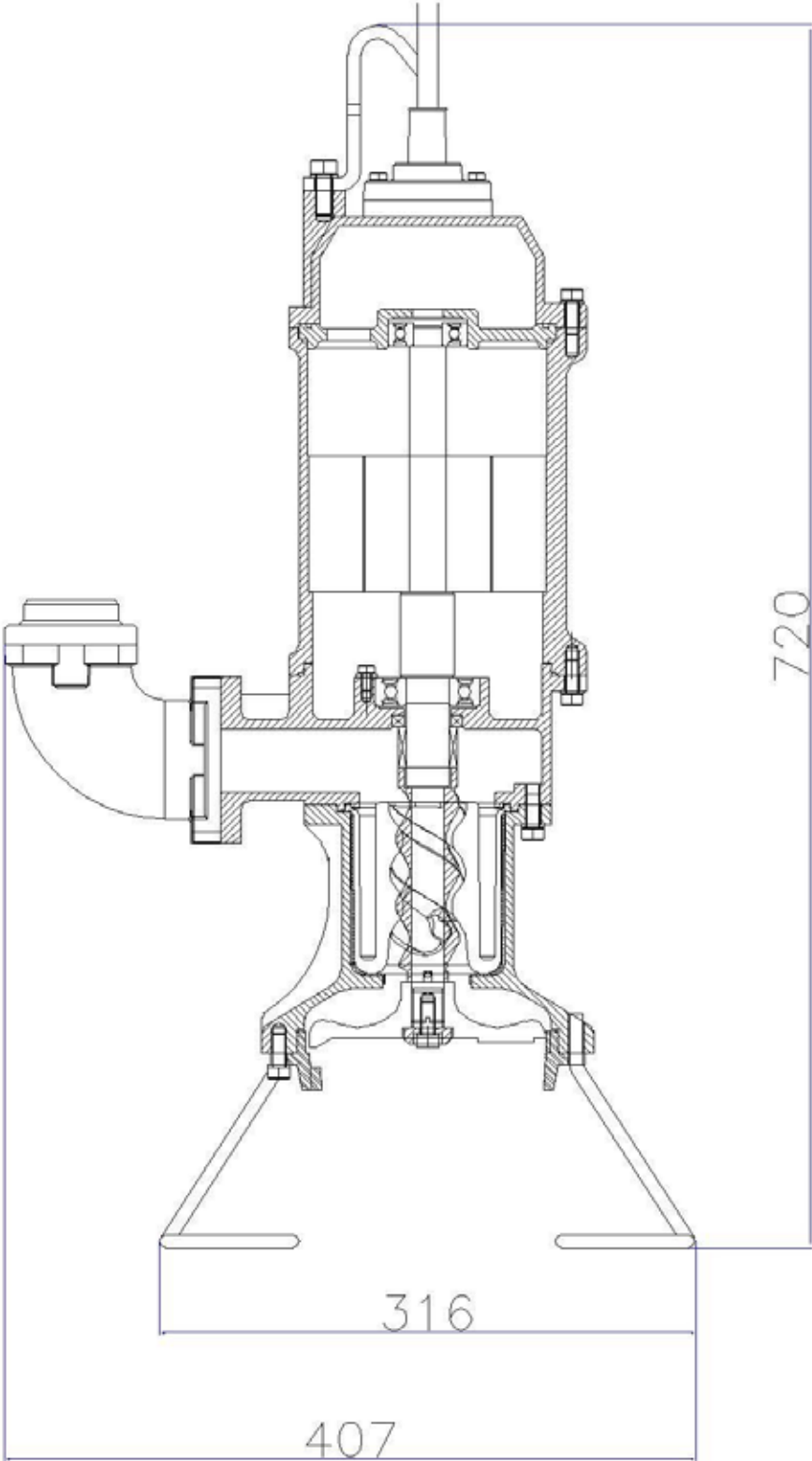
# OUTLINE DRAWING

DATE

2012-07-16

TYPE

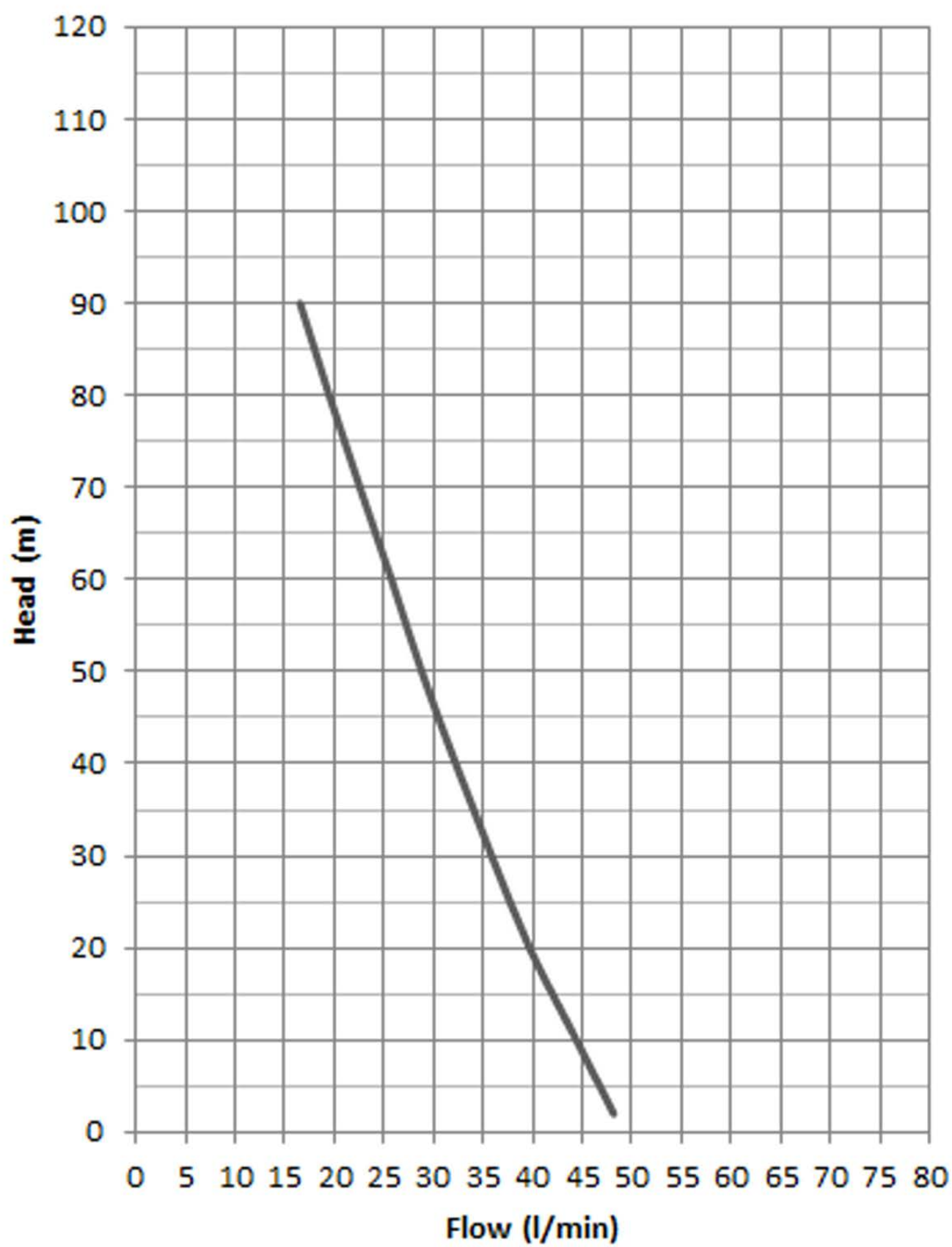
GRINDER PUMP



MODEL

GS-15

WHITE INTERNATIONAL PTY LTD







**White International Pty Ltd**  
**Customer Service 1300 783 601**  
**Email: [pumpsales@whiteint.com.au](mailto:pumpsales@whiteint.com.au)**  
**Fax: 02 9783 6003**  
**Website: [www.whiteint.com.au](http://www.whiteint.com.au)**

**White International NZ Ltd**  
**Customer Service 0800 509 506**  
**Email: [sales@whiteint.co.nz](mailto:sales@whiteint.co.nz)**  
**Fax: 0800 804 344**  
**Website: [www.whiteint.co.nz](http://www.whiteint.co.nz)**