

MEGAFLOW TROUGH VALVE

PRODUCT INFO



MEGAFLOW™

TROUGH VALVE

Description

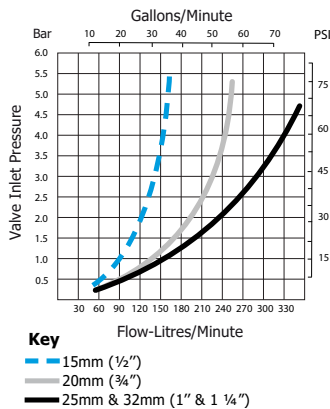
Megaflow trough valves are float operated valves for use in automatic filling of water troughs. The valve is configured for **underwater mounting only**. The float is connected to the valve with a nylon cord, this operates a pilot valve, when the water level drops, the pilot valve is opened and the main diaphragm valve is activated. Megaflow is a good choice where its **high flow**, compact, robust, non corrosive construction is beneficial.

Applications

Maintaining water levels in:

- Animal drinking troughs
- Water storage tanks

Flow Graph



Features

- High flow
- Compact robust construction
- 20-60mm (3/4" - 2 1/2") water level differential (increases as water pressure increases)
- Positive on/off operation
- Lock off with cord lock
- 0.3 - 10 bar (5 - 150 P.S.I.) pressure rating
- Inlet filter
- Constructed from corrosion resistant materials
- Under water installation helps avoid freezing
- Valve is less prone to stock damage

Mounting Positions



Options

	BSP				NPT				Long Tail: Supplied with backnut and seal washer 1/2" Long Tail: 100mm long 3/4" Long Tail: 38mm long
Inlet Size	1/2"	3/4"	1"	1 1/4"	1/2"	3/4"	1"	1 1/4"	
Short Tail		✓	✓	✓		✓	✓	✓	
Long Tail	✓	✓	✓	✓	✓	✓	✓	✓	

Specifies this Thread size

Detach

MEGAFLOW TROUGH VALVE SPECIFICATION

PRODUCT	CODE	INLET SIZE	CODE	OPTIONS	CODE
Megaflow Trough Valve	MFV	1/2" bsp/npt	15	Detach Base	D
		3/4" bsp/npt	20	Long Tail Thread	LT
		1" bsp	25		
		1" npt	1		
		1 1/4" bsp	32		
		1 1/4" npt	114		

(e.g) A Megaflow Trough Valve with: 3/4" bsp inlet thread, detach base, long tail thread has the following spec number: MFV 20 D LT NOTE: If no options are specified the standard ones will be supplied

Note: Before using check that under water mounting is allowed by local regulations.
Note: Product may differ slightly from these specs due to ongoing product development.

200 L / MIN

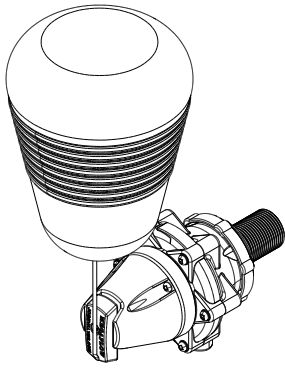
MEGAFLOW TROUGH VALVE

DIMENSIONS & MATERIALS

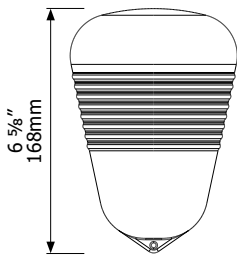
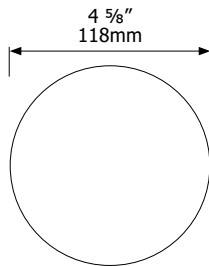


MEGAFLOW™

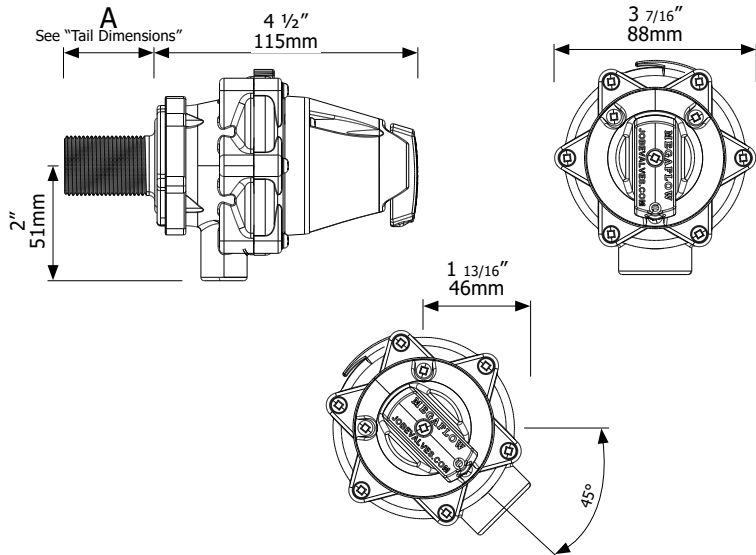
TROUGH VALVE



Float Dimensions



Megaflow Dimensions



Tail Dimensions

Dimension A	mm	inches
20mm (3/4") Short Tail	22	7/8
25mm (1") bsp/npt short tail	22	7/8
32mm (1 1/4") bsp/npt short tail	25	1
15mm (1/2") Long Tail	100	4
20mm (3/4") long tail	38	1 1/2
25mm (1") bsp/npt long tail	54	2 1/8
32mm (1 1/4") bsp/npt long tail	60	2 3/8

Part	Material	Part	Material
Body	Glass Filled Nylon	Actuator Cap	ABS
White Internal Parts	Acetal	Detach Locking Ring	Acetal
Filter	PP/Nylon	O'Rings	Nitrile
Diaphragm	EPDM	Float	HDPE
Seal	TPL	Seal Washer	LDPE
Springs, Bolts, Nuts, Pin, Screws	304 Stainless Steel	Float Cord	Polyester

Maximum Operating Temperature

60°C, 140°F

200 L / MIN

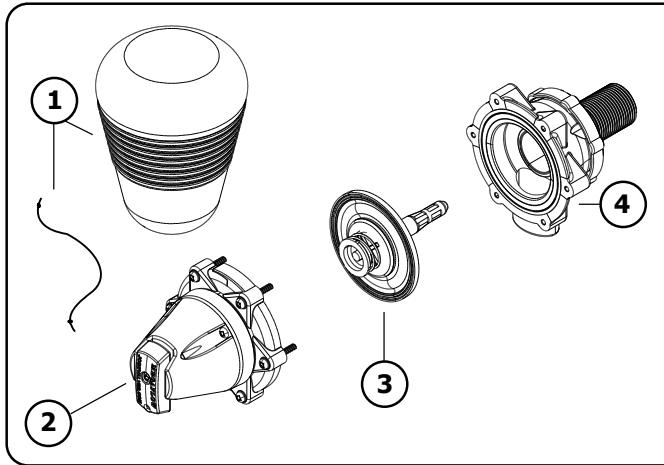
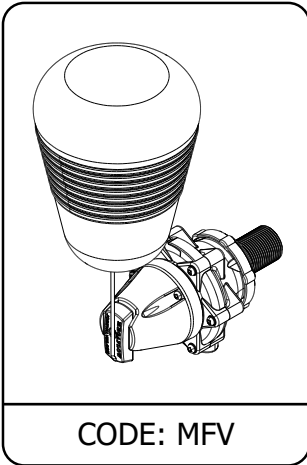
MEGAFLOW TROUGH VALVE

PARTS IDENTIFICATION SHEET

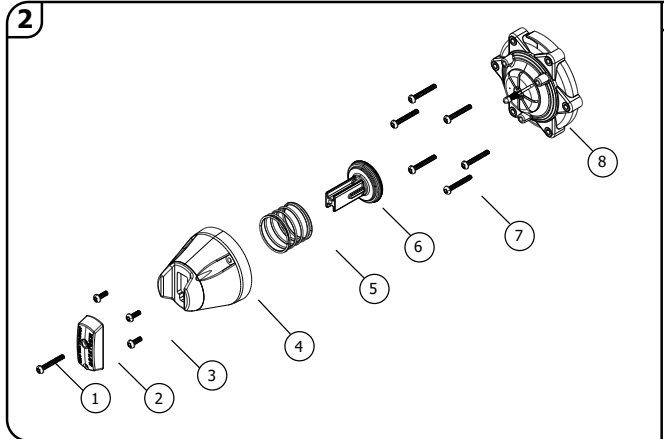
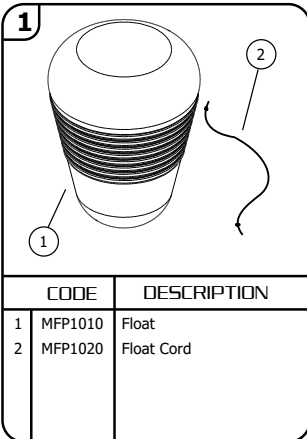


MEGAFLOW™

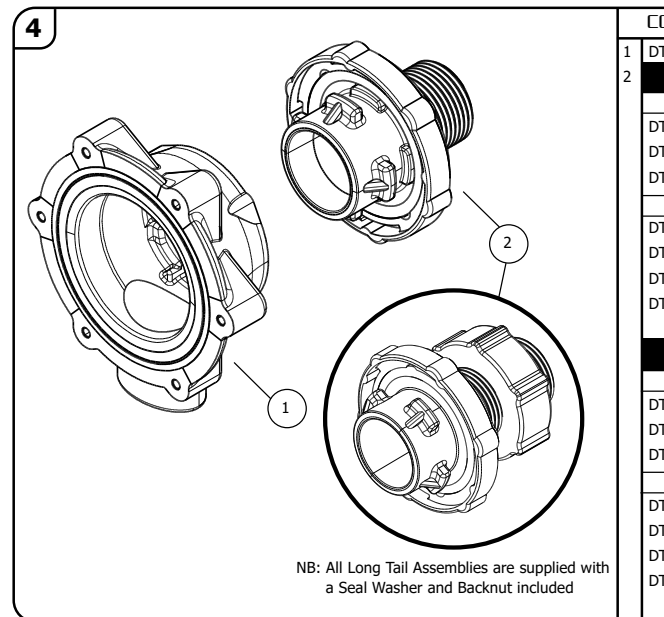
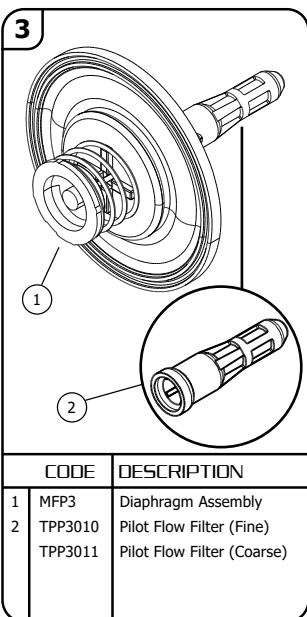
TROUGH VALVE



CODE	DESCRIPTION
1	MFP1 Float Assembly
2	MFP2 Cap & Actuator Assembly
3	MFP3 Diaphragm Assembly
4	Detach Base Assembly



CODE	DESCRIPTION
1	MFP2050 6g x 25 S/S Screw
2	MFP2041 Two Part Actuator Top
3	MFP2010 6g x 10 S/S Screw
4	MFP2020 Actuator Cap
5	MFP2030 Actuator Spring
6	MFP2042 Two Part Actuator Stem
7	MFP2050 6g x 25 S/S Screw
8	MFP2060 Valve Cap Assembly



CODE	DESCRIPTION
1	DTP1 Detach Base
2	BSP Tails
	Short Tail Assembly (BSP)
DTP020	Detach Tail 20mm(3/4") Short
DTP025	Detach Tail 25mm(1") Short
DTP032	Detach Tail 32mm(1 1/4") Short
	Long Tail Assembly (BSP)
DTP015L	Detach Tail 15mm (1/2") Long
DTP020L	Detach Tail 20mm (3/4") Long
DTP025L	Detach Tail 25mm (1" bsp) Long
DTP032L	Detach Tail 32mm (1 1/4" bsp) Long
	NPT Tails
	Short Tail Assembly (NPT)
DTP0075	Detach Tail 3/4" npt
DTP0100	Detach Tail 1" npt
DTP0125	Detach Tail 1 1/4" npt
	Long Tail Assembly (NPT)
DTP0050L	Detach Tail 1/2" npt Long
DTP0075L	Detach Tail 3/4" npt Long
DTP0100L	Detach Tail 1" npt Long
DTP0125L	Detach Tail 1 1/4" npt Long

200 L / MIN