

CUSTOMER VALUE THROUGH INNOVATION



Ball Valves

Guyco Ball Valves

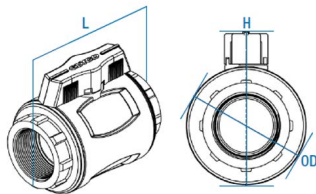


Guyco Ball Valve



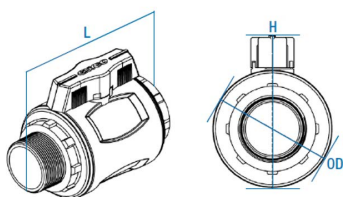
Advantages at a glance

- ✓ Full flow to ensure minimal head loss to the system.
- ✓ Smooth open and close action.
- ✓ Manufactured from materials that meet potable water standards.
- ✓ UV stabilised to perform in harsh sunlight conditions.
- ✓ Long BSPT threads allow better engagement with opposing connections.
- ✓ Constructed from non-corrosive materials.



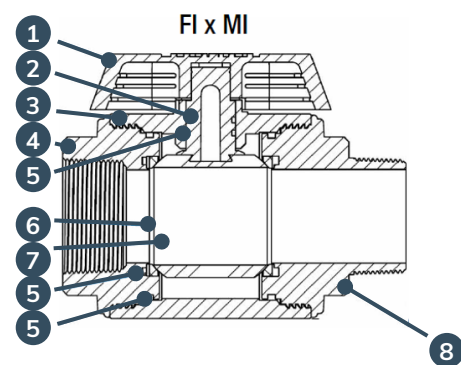
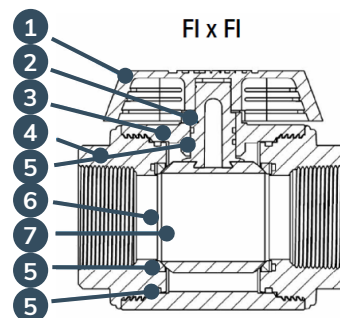
Dimensions - FI x FI

Size mm / inches	H (mm)	L (mm)	OD (mm)	Threads per inch
15mm / 1/2"	77.3	97.3	56	14
20mm / 3/4"	77.3	97.5	56	14
25mm / 1"	87	109.4	65.8	11
32mm / 1 1/4"	99	120.9	73.6	11
40mm / 1 1/2"	118.5	133	90	11
50mm / 2"	137.2	151	106.2	11



Dimensions - MI x FI

Size mm / inches	H (mm)	L (mm)	OD (mm)	Threads per inch
20mm / 3/4"	77.3	118.7	56	14
25mm / 1"	87	130.8	65.8	11
32mm / 1 1/4"	99	148.9	73.6	11
40mm / 1 1/2"	118.5	155.7	90	11
50mm / 2"	137.2	175.2	106.2	11





Materials

Product	Material
1. Handle	Nylon
2. Stem	POM
3. Body	Nylon
4. End connector	Nylon
5. O-rings	NBR
6. Seat	HDPE
7. Ball	CPVC
8. Male thread end connector	Nylon



Ball Valve - FI

1600 kPa

Group GBV	Ball Valve - FI				
	Part number	Item number	Product size	Handle colour	Reece code
	GFBV15	08372513015	15mm / ½"	Blue	1008097
	GFBV20	08372513020	20mm / ¾"		1008098
	GFBV25	08372513025	25mm / 1"		1008099
	GFBV32	08372513032	32mm / 1 ¼"		1008101
	GFBV40	08372513040	40mm / 1 ½"		1008102
	GFBV50	08372513050	50mm / 2"		1008103
	GFBVL15	08372513215	15mm / ½"	Lilac	1008538
	GFBVL20	08372513220	20mm / ¾"		1008539
	GFBVL25	08372513225	25mm / 1"		1008540
	GFBVL32	08372513232	32mm / 1 ¼"		1008541
	GFBVL40	08372513240	40mm / 1 ½"		1008542
	GFBVL50	08372513250	50mm / 2"		1008543

Male/ Female Ball Valve - MI x FI

1600 kPa

Group GBV	Male/ Female Ball Valve - MI x FI				
	Part number	Item number	Product size	Handle colour	Reece code
	GMFBV20	08372513120	20mm / ¾"	Blue	1008552
	GMFBV25	08372513125	25mm / 1"		1008535
	GMFBV32	08372513132	32mm / 1 ¼"		1008553
	GMFBV40	08372513140	40mm / 1 ½"		1008536
	GMFBV50	08372513150	50mm / 2"		1008537
	GMFBVL20	08372513320	20mm / ¾"	Lilac	1008554
	GMFBVL25	08372513325	25mm / 1"		1008544
	GMFBVL32	08372513332	32mm / 1 ¼"		1008555
	GMFBVL40	08372513340	40mm / 1 ½"		1008545
	GMFBVL50	08372513350	50mm / 2"		1008546

Spare Parts

Guyco Ball Valve - Handle

Group GBV	Guyco Ball Valve - Handle				
	Part number	Item number	Product size	Handle colour	Reece code
	GBVHB1520	08372513519	15mm & 20mm / ½" & ¾"	Blue	-
	GBVHB25	08372513525	25mm / 1"		-
	GBVHB32	08372513532	32mm / 1 ¼"		-
	GBVHB40	08372513540	40mm / 1 ½"		-
	GBVHB50	08372513550	50mm / 2"		-
	GBVHL1520	08372513719	15 & 20mm / ½" & ¾"	Lilac	1008554
	GBVHL25	08372513725	25mm / 1"		1008544
	GBVHL32	08372513732	32mm / 1 ¼"		1008555
	GBVHL40	08372513740	40mm / 1 ½"		1008545
	GBVHL50	08372513750	50mm / 2"		1008546

NORMA PACIFIC AUSTRALIA

NATIONAL CUSTOMER SERVICE

P 1300 252 677

F 03 9761 4030

E sales.au@normagroup.com

VICTORIA

74 Bazalgette Crescent,
Dandenong South VIC 3175

P 03 9761 4416

F 03 9761 4030

E sales.au@normagroup.com

SOUTH AUSTRALIA

3 Walsh Avenue,
St Marys SA 5042

P 08 8374 3999

F 08 8374 3930

E sales.sa@normagroup.com

QUEENSLAND

24 Commerce Circuit,
Yatala QLD 4207

P 07 3807 4638

F 07 3807 4929

E sales.qld@normagroup.com

WESTERN AUSTRALIA

2/16 Gillam Drive,
Kelmscott WA 6111

P 08 9390 3903

F 08 9390 3904

E sales.wa@normagroup.com



NORMA Pacific PTY LTD | 74 Bazalgette Crescent, Dandenong South, Victoria, Australia 3175

National Customer Service 1300 252 677 | **Fax** +61 (03) 9761 4030 | **Email** sales.au@normagroup.com

This publication supersedes all previous issues. No part of this publication may be reproduced without our prior written consent. In NORMA Group's policy of continual product improvements to meet user needs and technological developments, all models and sets listed in this folder (photographs, specifications, sizes and weights) may be upgraded or discontinued without notice and without any obligation on our part to modify tools or equipment sold previously. The recommendations for use and safety given in this folder do not replace accepted good practice or the safety related legal and regulatory provisions. References to standards implemented as of June 1, 2020 are not contractually binding. All information and data presented within is correct at the time of printing.

