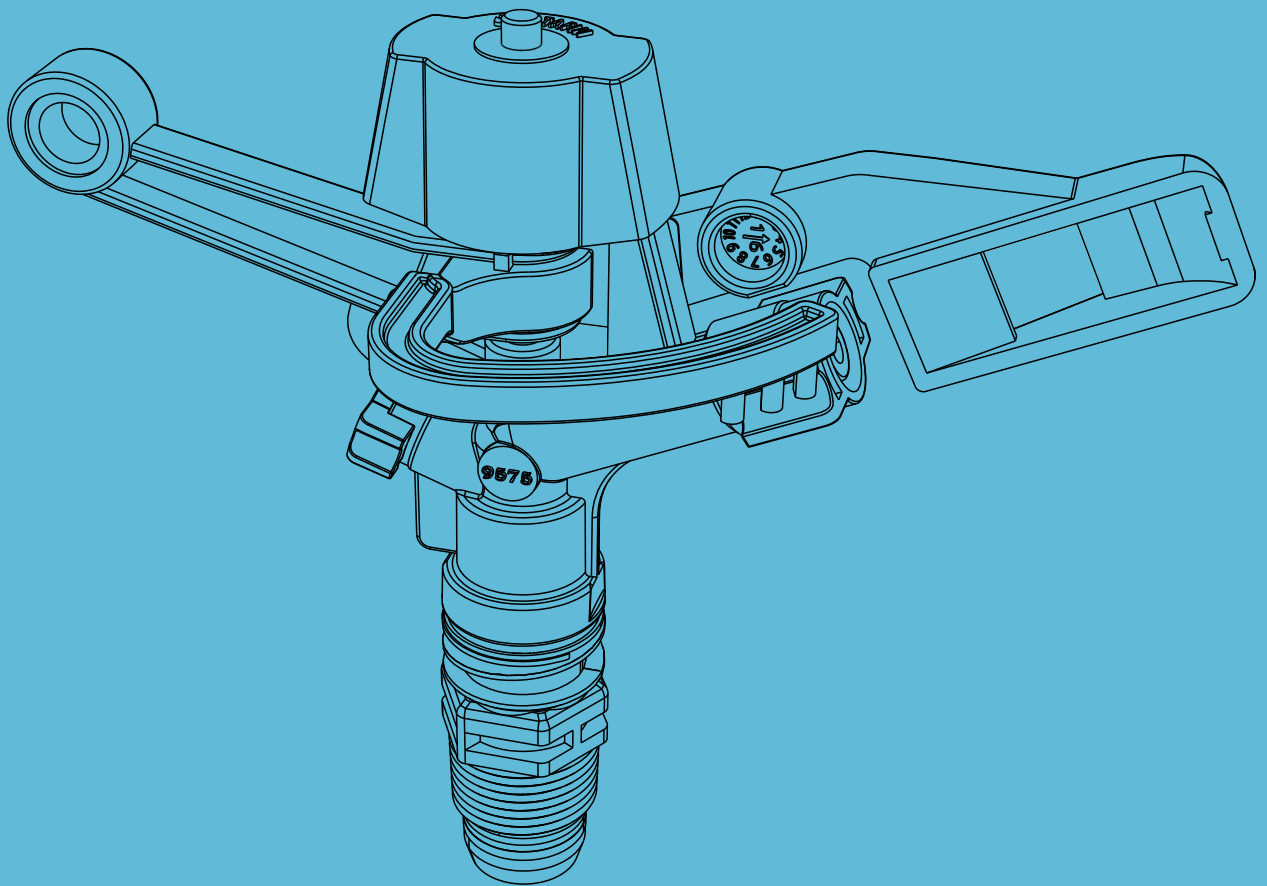


D-Net™ 9575

3D ARM IMPACT SPRINKLER

USER MANUAL



© COPYRIGHT 2016, NETAFIM™

NO PARTS OF THIS PUBLICATION MAY BE REPRODUCED, STORED IN AN AUTOMATED DATA FILE OR MADE PUBLIC IN ANY FORM OR BY ANY MEANS, WHETHER ELECTRONIC, MECHANICAL, BY PHOTOCOPYING, RECORDING OR IN ANY OTHER MANNER WITHOUT PRIOR WRITTEN PERMISSION OF THE PUBLISHER.

ALTHOUGH NETAFIM™ TAKES THE GREATEST POSSIBLE CARE IN DESIGNING AND PRODUCING BOTH ITS PRODUCTS AND THE ASSOCIATED DOCUMENTATION, THEY MAY STILL INCLUDE FAULTS.

NETAFIM™ WILL NOT ACCEPT RESPONSIBILITY FOR DAMAGE RESULTING FROM USE OF NETAFIM'S PRODUCTS OR USE OF THIS MANUAL.

NETAFIM™ RESERVES THE RIGHT TO MAKE CHANGES AND IMPROVEMENTS TO ITS PRODUCTS AND/OR THE ASSOCIATED DOCUMENTATION WITHOUT PRIOR NOTICE.



NOTE

All the drawings in this document are for the purpose of illustration only. The actual product details and infrastructure condition may differ in any actual application.



FOREIGN LANGUAGES

If you are reading this manual in a language other than the English language, you acknowledge and agree that the English language version shall prevail in any case of inconsistency or contradiction in interpretation or translation.

CONTENTS

Introduction

Use of symbols	4
Aim of this manual	4
Safety instructions	4

D-Net™ 9575 3D arm impact sprinkler

Description	5
Applications	5
Features and benefits	5
Specifications	5

Technical data

Performance	6
Max. lateral length - 10% flow variation	8
Sprinkler water trajectory	10
Head loss in riser tube	10

Installation

Introduction	11
Installation on solid set riser pipes	11

Maintenance

Rinsing the nozzles	12
Checking the white washer	13

Parts, tools and complementary products

Parts	14
Tools	15
Complementary products	15

Warranty	15
----------	----

INTRODUCTION

Use of symbols

The symbols used in this manual refer to the following:



WARNING

The following text contains instructions aimed at preventing bodily injury or direct damage to the crops, the product and/or the infrastructure.



CAUTION

The following text contains instructions aimed at preventing unwanted system operation, installation or conditions that, if not followed, might void the warranty.



ATTENTION

The following text contains instructions aimed at enhancing the effective use of the instructions in the manual.



NOTE

The following text contains instructions aimed at emphasizing certain aspects of the installation or operation of the product.



SAFETY FOOTWEAR

The following text contains instructions aimed at preventing foot injury.



TIP

The following text provides clarification, tips or useful information.

Aim of this manual

The aim of this manual is to guide the user in setting up, installation, operation and maintenance of the D-Net™ 9575 sprinkler in its various applications.

Safety instructions

- All applicable safety instructions and regulations must be observed and applied.
- The effectiveness of the equipment may be jeopardized or impaired if the equipment is used in a manner other than that specified by the manufacturer.



WARNING

In an agricultural environment - always wear protective footwear.

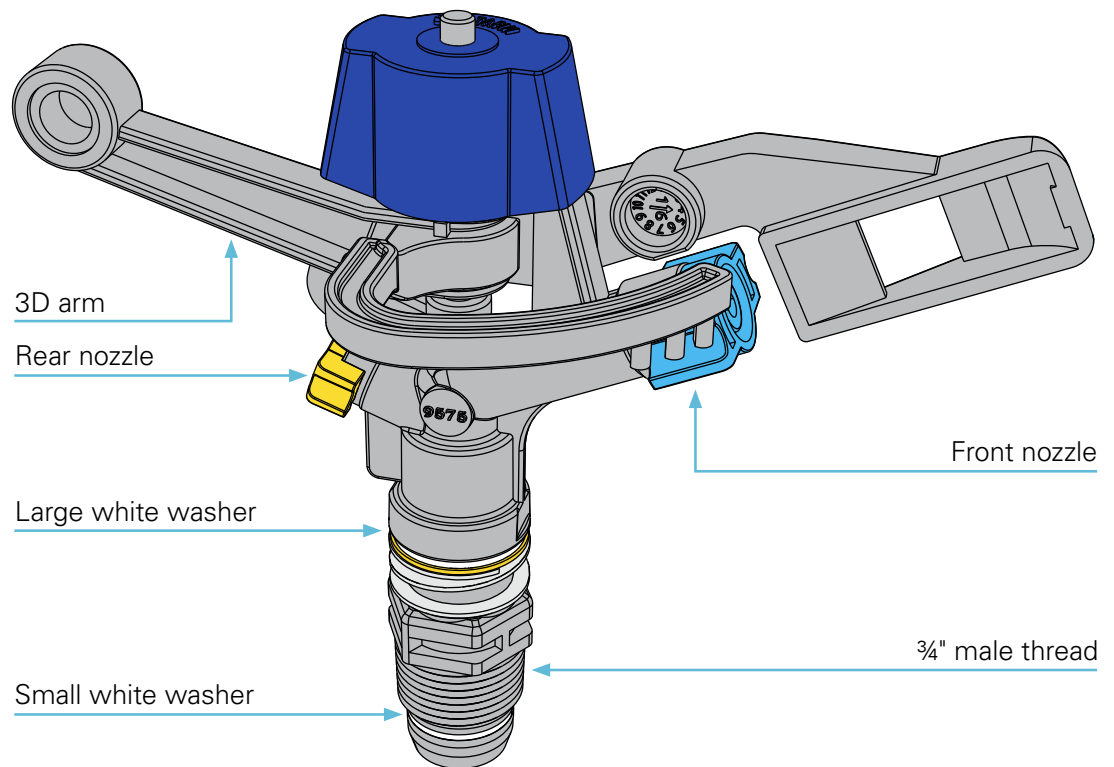


CAUTION

When opening or closing any manual valve, always do so gradually, to prevent damage to the system by water hammer.

D-NET™ 9575 3D ARM IMPACT SPRINKLER

Description



Applications

For irrigation of open field crops.

Features and benefits

More and better yields

- The D-Net™ 9575 provides outstandingly high uniformity distribution of the water due to the unique 3-D arm that enables the highest uniformity in the market, respective to its flow rate and installation spacing.
- The D-Net™ 9575 provides maximum water-use efficiency.

Save labor cost and multiple investment in maintenance

- **High robustness** - The D-Net™ 9575 has special design that makes the sprinkler more resistible and ensure high performance for a long product life.
- **Extended product life** - The D-Net™ 9575 is made of UV-protected materials, and it's durable in the presence of all climate conditions and nutrients injected in agricultural applications.
- **Flexible installation** - Can be installed on solid sets or on removable field stands.
- **Easy to maintain** - A special nozzle key is deigned in order to allow continet cleaning of the nozzle.

Specifications

- 5 different nominal flow rates: 1200, 1400, 1600, 1800, 2000 l/h (at 3.0 bar pressure).
- Recommended working pressure: 2.0 to 4.0 bar (at the sprinkler head).
- Water trajectory: 24 degrees
- Inlet connector: 3/4" male threaded.
- Code-colored nozzles for easy identification.

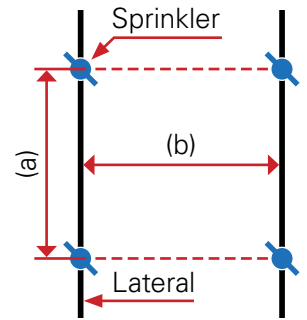


ATTENTION

- For water containing over 2 ppm of sand, a hydrocyclone sand separator must be installed upstream from the main filter.
- For water containing over 100 ppm of sand/silt/clay solids, pretreatment must be performed according to the instructions of the Netafim™ expert team.

TECHNICAL DATA

Performance



Rectangular spacing

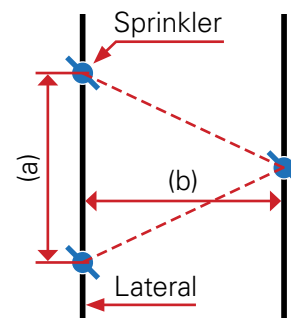
Nozzle size (mm)	Color code	Working pressure (bar)	Flow rate (l/h)	Wetted diameter* (m)	Spacing - between sprinklers (a) x between laterals (b), (m x m)					
					12 x 12	12 x 15	12 x 18	15 x 15	15 x 18	18 x 18
					Precipitation rate (mm/h)					
3.57 + 2.5	Blue + yellow	2.0	980	22.0	6.8	5.4	4.5	4.4		
		2.5	1095	22.0	7.6	5.4	5.1	4.9		
		3.0	1200	23.0	8.3	5.4	5.6	5.3	4.4	
		3.5	1296	24.0	9.0	5.4	6.0	5.8	4.8	
		4.0	1385	24.0	9.6	5.4	6.4	6.2	5.1	4.3
3.96 + 2.5	Green + yellow	2.0	1145	23.0	8.0	5.4	5.3	5.1	4.2	
		2.5	1280	24.0	8.9	5.4	5.9	5.7	4.7	4.0
		3.0	1400	25.0	9.7	5.4	6.5	6.2	5.2	4.3
		3.5	1515	25.0	10.5	5.4	7.0	6.7	5.6	4.7
		4.0	1620	26.0	11.3	5.4	7.5	7.2	6.0	5.0
4.36 + 2.5	Grey + yellow	2.0	1306	23.0	9.1	5.4	6.0	5.8	4.8	
		2.5	1460	25.0	10.1	5.4	6.8	6.5	5.4	4.5
		3.0	1600	25.0	11.1	5.4	7.4	7.1	5.9	4.9
		3.5	1727	26.0	12.0	5.4	8.0	7.7	6.4	5.3
		4.0	1846	26.0	12.8	5.4	8.5	8.2	6.8	5.7
4.76 + 2.5	Yellow + yellow	2.0	1471	22.0	10.2	5.4	6.8	6.5		
		2.5	1645	25.0	11.4	5.4	7.6	7.3	6.1	5.1
		3.0	1800	26.0	12.5	5.4	8.3	8.0	6.7	5.6
		3.5	1946	27.0	13.5	5.4	9.0	8.6	7.2	6.0
		4.0	2081	28.0	14.5	5.4	9.6	9.2	7.7	6.4
5.10 + 2.5	Black + yellow	2.0	1632	22.0	11.3	5.4	7.6	7.3		
		2.5	1825	25.0	12.7	5.4	8.4	8.1	6.8	
		3.0	2000	27.0	13.9	5.4	9.3	8.9	7.4	6.2
		3.5	2160	28.0	15.0	5.4	10.0	9.6	8.0	6.7
		4.0	2310	29.0	16.0	5.4	10.7	10.3	8.6	7.1

* Performance table prepared under laboratory conditions, sprinkler head 1.0 meter above ground. At least 0.5 mm/h.

%CU	≥ 92%	≥ 88% and < 92%	≥ 86% and < 88%	< 86%
------------	-------	-----------------	-----------------	-------

TECHNICAL DATA

Performance (cont'd)



Triangular spacing - isosceles**

Nozzle size (mm)	Color code	Working pressure (bar)	Flow rate (l/h)	Wetted diameter* (m)	Spacing - between sprinklers (a) x between laterals (b), (m x m)					
					12 x 12	12 x 15	12 x 18	15 x 15	15 x 18	18 x 18
					Precipitation rate (mm/h)					
3.57 + 2.5	Blue + yellow	2.0	980	22.0	6.8	5.4	4.5	4.4	3.6	
		2.5	1095	22.0	7.6	5.4	5.1	4.9	4.1	
		3.0	1200	23.0	8.3	5.4	5.6	5.3	4.4	
		3.5	1296	24.0	9.0	5.4	6.0	5.8	4.8	4.0
		4.0	1385	24.0	9.6	5.4	6.4	6.2	5.1	4.3
3.96 + 2.5	Green + yellow	2.0	1145	23.0	8.0	5.4	5.3	5.1	4.2	3.5
		2.5	1280	24.0	8.9	5.4	5.9	5.7	4.7	4.0
		3.0	1400	25.0	9.7	5.4	6.5	6.2	5.2	4.3
		3.5	1515	25.0	10.5	5.4	7.0	6.7	5.6	4.7
		4.0	1620	26.0	11.3	5.4	7.5	7.2	6.0	5.0
4.36 + 2.5	Grey + yellow	2.0	1306	23.0	9.1	5.4	6.0	5.8	4.8	4.0
		2.5	1460	25.0	10.1	5.4	6.8	6.5	5.4	4.5
		3.0	1600	25.0	11.1	5.4	7.4	7.1	5.9	4.9
		3.5	1727	26.0	12.0	5.4	8.0	7.7	6.4	5.3
		4.0	1846	26.0	12.8	5.4	8.5	8.2	6.8	5.7
4.76 + 2.5	Yellow + yellow	2.0	1471	22.0	10.2	5.4	6.8	6.5	5.4	
		2.5	1645	25.0	11.4	5.4	7.6	7.3	6.1	5.1
		3.0	1800	26.0	12.5	5.4	8.3	8.0	6.7	5.6
		3.5	1946	27.0	13.5	5.4	9.0	8.6	7.2	6.0
		4.0	2081	28.0	14.5	5.4	9.6	9.2	7.7	6.4
5.10 + 2.5	Black + yellow	2.0	1632	22.0	11.3	5.4	7.6	7.3	6.0	
		2.5	1825	25.0	12.7	5.4	8.4	8.1	6.8	5.6
		3.0	2000	27.0	13.9	5.4	9.3	8.9	7.4	6.2
		3.5	2160	28.0	15.0	5.4	10.0	9.6	8.0	6.7
		4.0	2310	29.0	16.0	5.4	10.7	10.3	8.6	7.1

* Performance table prepared under laboratory conditions, sprinkler head 1.0 meter above ground. At least 0.5 mm/h.

%CU	≥ 92%	≥ 88% and < 92%	≥ 86% and < 88%	< 86%
------------	-------	-----------------	-----------------	-------

**Do not confound isosceles with equilateral:

- An isosceles triangle is a triangle in which two sides are of equal length. The distance between 2 adjacent sprinklers on the same lateral (a) is not equal to the distance between 2 sprinklers on adjacent laterals. The height of the triangle represents the distance between adjacent laterals (b). Isosceles is usually referred to in open-field applications.
- An equilateral triangle is a triangle in which all three sides are equal. The distance between 2 adjacent sprinklers on the same lateral is equal to the distance between 2 sprinklers on adjacent laterals. Equilateral is occasionally referred to in orchards due to the tree planting pattern.

TECHNICAL DATA

Max. lateral length - 10% flow variation

Inlet pressure: 3.5 bar

Lateral: PVC 40 mm ID: 36.2 mm

Nominal flow rate: 1200 l/h*	Slope	Distance between sprinklers (m)						
		12	13	14	15	16	17	18
		Max. lateral length (m)						
Uphill	2%	96	104	112	120	112	119	126
	1%	108	117	112	120	128	136	144
Flat terrain	0	108	117	126	135	144	136	144
Downhill	-1%	120	130	126	135	144	153	162
	-2%	120	130	140	150	144	153	162

Nominal flow rate: 1400 l/h*	Slope	Distance between sprinklers (m)						
		12	13	14	15	16	17	18
		Max. lateral length (m)						
Uphill	2%	96	104	98	105	112	119	126
	1%	96	104	112	120	112	119	126
Flat terrain	0	108	104	112	120	128	136	144
Downhill	-1%	108	117	126	120	128	136	144
	-2%	108	117	126	135	144	136	144

Nominal flow rate: 1600 l/h*	Slope	Distance between sprinklers (m)						
		12	13	14	15	16	17	18
		Max. lateral length (m)						
Uphill	2%	84	91	98	105	112	102	108
	1%	96	91	98	105	112	119	126
Flat terrain	0	96	104	112	105	112	119	126
Downhill	-1%	96	104	112	120	128	136	126
	-2%	108	104	112	120	128	136	144

Nominal flow rate: 1800 l/h*	Slope	Distance between sprinklers (m)						
		12	13	14	15	16	17	18
		Max. lateral length (m)						
Uphill	2%	84	91	84	90	96	102	108
	1%	84	91	98	105	96	102	108
Flat terrain	0	84	91	98	105	112	119	126
Downhill	-1%	96	104	98	105	112	119	126
	-2%	96	104	112	120	112	119	126

Nominal flow rate: 2000 l/h*	Slope	Distance between sprinklers (m)						
		12	13	14	15	16	17	18
		Max. lateral length (m)						
Uphill	2%	84	78	84	90	96	102	108
	1%	84	91	84	90	96	102	108
Flat terrain	0	84	91	98	105	96	102	108
Downhill	-1%	84	91	98	105	112	119	126
	-2%	96	91	98	105	112	119	126

Lateral: PVC 50 mm ID: 46.8 mm

Nominal flow rate: 1200 l/h*	Slope	Distance between sprinklers (m)						
		12	13	14	15	16	17	18
		Max. lateral length (m)						
Uphill	2%	144	143	154	165	160	170	180
	1%	156	156	168	180	192	187	198
Flat terrain	0	168	182	182	195	208	221	216
Downhill	-1%	180	195	196	210	224	238	234
	-2%	192	208	210	225	240	255	252

Nominal flow rate: 1400 l/h*	Slope	Distance between sprinklers (m)						
		12	13	14	15	16	17	18
		Max. lateral length (m)						
Uphill	2%	132	143	140	150	160	153	162
	1%	144	156	154	165	176	170	180
Flat terrain	0	156	169	168	180	192	187	198
Downhill	-1%	168	169	182	195	208	204	216
	-2%	168	182	196	210	208	221	234

Nominal flow rate: 1600 l/h*	Slope	Distance between sprinklers (m)						
		12	13	14	15	16	17	18
		Max. lateral length (m)						
Uphill	2%	120	130	140	135	144	153	162
	1%	132	143	140	150	160	170	162
Flat terrain	0	144	156	154	165	176	187	180
Downhill	-1%	156	156	168	180	192	187	198
	-2%	156	169	182	180	192	204	216

Nominal flow rate: 1800 l/h*	Slope	Distance between sprinklers (m)						
		12	13	14	15	16	17	18
		Max. lateral length (m)						
Uphill	2%	120	117	126	135	144	136	144
	1%	120	130	140	150	144	153	162
Flat terrain	0	132	143	154	150	160	170	180
Downhill	-1%	144	143	154	165	176	187	180
	-2%	144	156	168	180	176	187	198

Nominal flow rate: 2000 l/h*	Slope	Distance between sprinklers (m)						
		12	13	14	15	16	17	18
		Max. lateral length (m)						
Uphill	2%	108	117	126	120	128	136	144
	1%	120	130	126	135	144	153	144
Flat terrain	0	120	130	140	150	144	153	162
Downhill	-1%	132	143	154	150	160	170	180
	-2%	144	143	154	165	176	170	180

*Nominal flow rate at 3.0 bar working pressure.

TECHNICAL DATA

Max. lateral length - 10% flow variation (cont'd)

Inlet pressure: 3.5 bar

Lateral: FlexNet™ 2" ID: 50.4 mm

Nominal flow rate: 1200 l/h*	Slope	Distance between sprinklers (m)						
		12	13	14	15	16	17	18
		Max. lateral length (m)						
Uphill	2%	156	156	168	180	176	187	198
	1%	168	182	182	195	208	204	216
Flat terrain	0	192	195	210	225	224	238	252
Downhill	-1%	204	221	224	240	256	272	270
	-2%	216	234	252	255	272	289	288

Nominal flow rate: 1400 l/h*	Slope	Distance between sprinklers (m)						
		12	13	14	15	16	17	18
		Max. lateral length (m)						
Uphill	2%	144	156	154	165	176	170	180
	1%	156	169	168	180	192	204	198
Flat terrain	0	168	182	196	195	208	221	234
Downhill	-1%	192	195	210	225	224	238	252
	-2%	204	208	224	240	240	255	270

Nominal flow rate: 1600 l/h*	Slope	Distance between sprinklers (m)						
		12	13	14	15	16	17	18
		Max. lateral length (m)						
Uphill	2%	132	143	154	150	160	170	162
	1%	144	156	168	165	176	187	180
Flat terrain	0	156	169	182	180	192	204	216
Downhill	-1%	168	182	196	195	208	221	234
	-2%	180	195	196	210	224	238	252

Nominal flow rate: 1800 l/h*	Slope	Distance between sprinklers (m)						
		12	13	14	15	16	17	18
		Max. lateral length (m)						
Uphill	2%	132	130	140	150	144	153	162
	1%	144	143	154	165	160	170	180
Flat terrain	0	144	156	168	180	176	187	198
Downhill	-1%	156	169	182	180	192	204	216
	-2%	168	182	182	195	208	221	234

Nominal flow rate: 2000 l/h*	Slope	Distance between sprinklers (m)						
		12	13	14	15	16	17	18
		Max. lateral length (m)						
Uphill	2%	120	130	140	135	144	153	162
	1%	132	143	140	150	160	170	162
Flat terrain	0	144	143	154	165	176	170	180
Downhill	-1%	144	156	168	180	176	187	198
	-2%	156	169	182	180	192	204	216

Lateral: FlexNet™ 3" ID: 78.3 mm

Nominal flow rate: 1200 l/h*	Slope	Distance between sprinklers (m)						
		12	13	14	15	16	17	18
		Max. lateral length (m)						
Uphill	2%	252	260	266	270	272	289	288
	1%	312	325	336	345	368	374	378
Flat terrain	0	396	416	434	450	480	493	504
Downhill	-1%	456	481	518	540	560	595	612
	-2%	504	546	574	600	640	663	702

Nominal flow rate: 1400 l/h*	Slope	Distance between sprinklers (m)						
		12	13	14	15	16	17	18
		Max. lateral length (m)						
Uphill	2%	240	247	252	255	272	272	270
	1%	288	299	322	330	336	357	360
Flat terrain	0	360	377	392	420	432	442	468
Downhill	-1%	408	442	462	480	512	527	558
	-2%	456	481	518	540	560	595	630

Nominal flow rate: 1600 l/h*	Slope	Distance between sprinklers (m)						
		12	13	14	15	16	17	18
		Max. lateral length (m)						
Uphill	2%	228	234	238	255	256	255	270
	1%	276	286	294	315	320	323	342
Flat terrain	0	324	351	364	375	400	408	432
Downhill	-1%	372	403	420	435	464	476	504
	-2%	408	442	462	495	512	544	558

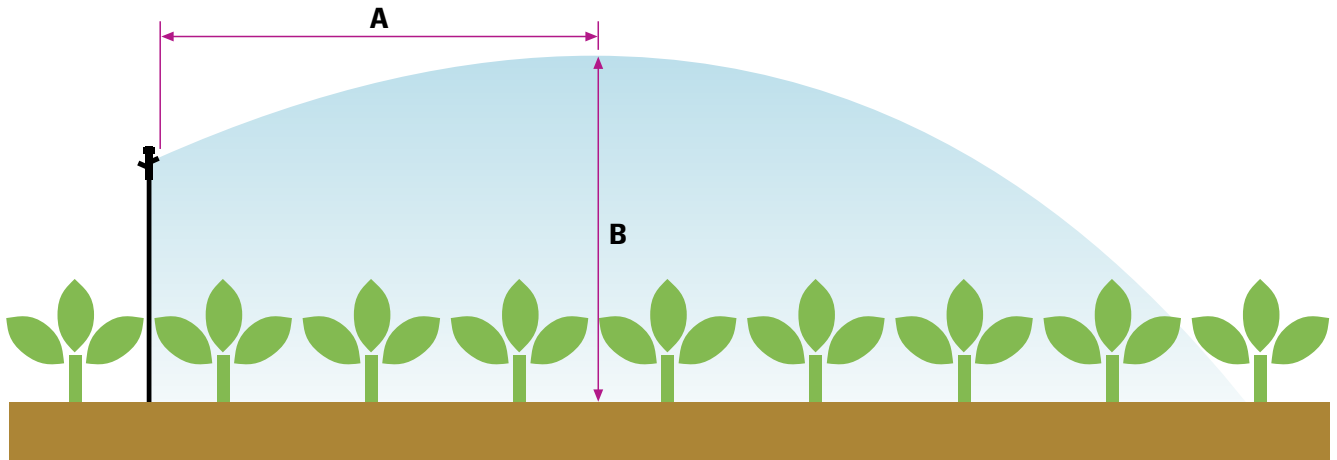
Nominal flow rate: 1800 l/h*	Slope	Distance between sprinklers (m)						
		12	13	14	15	16	17	18
		Max. lateral length (m)						
Uphill	2%	216	221	238	240	240	255	252
	1%	264	273	280	285	304	306	324
Flat terrain	0	312	325	336	360	368	391	396
Downhill	-1%	348	364	392	405	432	442	468
	-2%	384	403	420	450	480	493	522

Nominal flow rate: 2000 l/h*	Slope	Distance between sprinklers (m)						
		12	13	14	15	16	17	18
		Max. lateral length (m)						
Uphill	2%	204	221	224	225	240	238	252
	1%	240	260	266	270	288	289	306
Flat terrain	0	288	299	322	330	352	357	378
Downhill	-1%	324	338	364	375	400	408	432
	-2%	348	377	392	420	432	459	486

*Nominal flow rate at 3.0 bar working pressure.

TECHNICAL DATA

Sprinkler water trajectory



A. Distance - Distance of max. trajectory height from sprinkler nozzle.

B. height - Elevation of max. trajectory height above ground.

Trajectory height above sprinkler nozzle

The maximum trajectory height above the sprinkler nozzle is relevant in the following cases:

- When sprinklers are used under the canopy to prevent wetting the foliage.
- When sprinklers are used in a net-house or inside a roofed structure such as a glasshouse, to prevent wetting the net or the ceiling.

Water trajectory angle: 24 degrees

Nozzle		Working pressure (bar)	Trajectory (m)	
Size (mm)	Color code		Height	Distance
3.57 + 2.5	Blue + yellow	2.5	2.45	8.25
		3.0	2.80	8.50
		3.5	3.00	9.60
		4.0	3.25	9.90
3.96 + 2.5	Green + yellow	2.5	2.65	9.25
		3.0	2.90	9.50
		3.5	3.10	10.00
		4.0	3.50	10.40
4.36 + 2.5	Gray + yellow	2.5	2.85	9.30
		3.0	3.10	9.90
		3.5	3.20	10.60
		4.0	3.60	10.80
4.76 + 2.5	Yellow + yellow	2.5	2.90	9.40
		3.0	3.20	10.10
		3.5	3.30	10.80
		4.0	3.70	11.00
5.1 + 1.8	Black + yellow	2.5	3.00	9.70
		3.0	3.30	10.20
		3.5	3.60	11.00
		4.0	3.80	11.50

Head loss in riser tube

Riser tube: 1/2", ID 15.0 mm

Riser tube length (m)	Flow rate* (l/h)				
	1200	1400	1600	1800	2000
	Head loss (bar)				
1.0	0.029	0.038	0.048	0.059	0.071

Riser tube: 3/4", ID 20.5 mm

Riser tube length (m)	Flow rate* (l/h)				
	1200	1400	1600	1800	2000
	Head loss (bar)				
1.0	0.007	0.009	0.011	0.013	0.016

INSTALLATION

Introduction



CAUTION

Assembly must be done gently. Do not overtighten or use excessive force.

Tools required

- 2 adjustable wrenches

Installation on a solid set riser pipe

Netafim™ offers a comprehensive range of sockets and reducer couplings dedicated to the proper connection of sprinklers to solid-set riser pipes (PVC or other rigid pipes). Usage of these accessories ensures appropriate, safe operation and longevity of the sprinklers.



ATTENTION

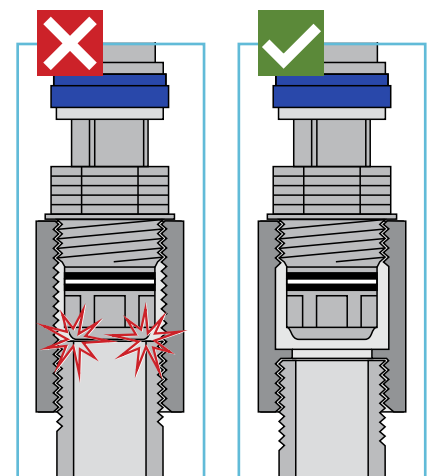
When installing a Netafim™ impact hammer sprinkler (such as D-Net™) on a solid set riser pipe of the same thread size, make sure to allow clearance for the free rotation of the axel bottom nut.

If sufficient clearance is not allowed and the axel bottom nut comes in contact with any internal part of the piping, the sprinkler will not rotate.

Always use a Netafim™ dedicated socket specially designed to allow the required clearance.

See the manual for installation on a solid set riser pipe at

<http://www.netafim.com/irrigation-products-technical-materials>



MAINTENANCE

To assure proper operation of the sprinkler, a simple inspection and maintenance procedure should be carried out regularly.

Rinsing the nozzles

Frequency: Before the beginning of each growing season

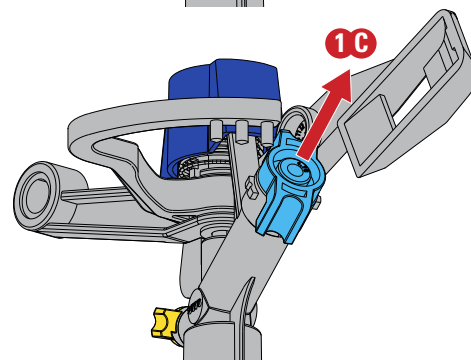
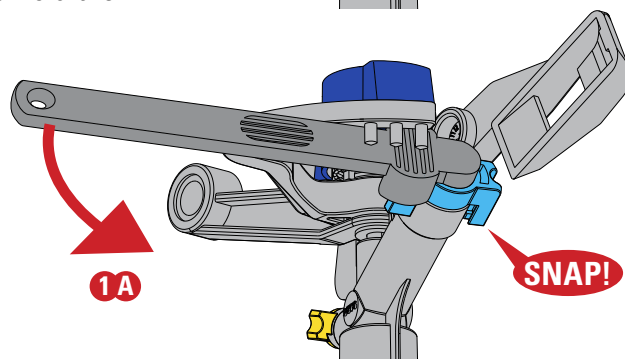
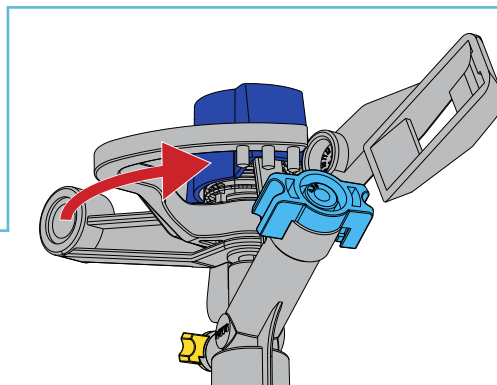
Rinsing the front (large) nozzle:



NOTE

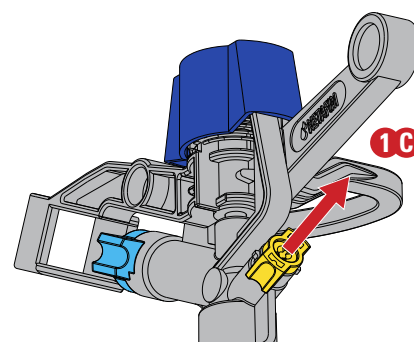
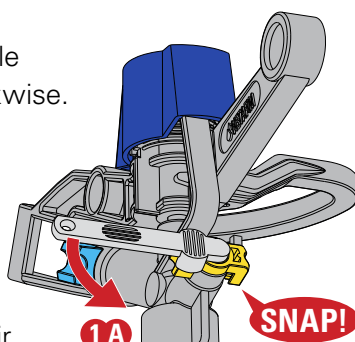
When detaching the front (large) nozzle, rotate and hold the 3D arm so that it doesn't get in the way.

1. Detach the front (large) nozzle from the sprinkler using the dedicated nozzle-opener (black) supplied with the sprinkler.
 - A. Place the nozzle-opener onto the nozzle and rotate it 1/8 of a turn counterclockwise. You should feel it snap open.
 - B. Remove the nozzle-opener.
 - C. Pull the nozzle out manually.
2. Clean the nozzle opening from the outside with a water jet or pressurized air.
3. Visually inspect the nozzle. If it looks damaged, replace it with a new one.
4. Reattach the nozzle using the dedicated nozzle-opener (black). You should feel it snap into place.



Rinsing the rear (small) nozzle:

1. Detach the rear (small) nozzle from the sprinkler using the dedicated nozzle-opener (grey) supplied with the sprinkler.
 - A. Place the nozzle-opener onto the nozzle and rotate it 1/8 of a turn counterclockwise. You should feel it snap open.
 - B. Remove the nozzle-opener.
 - C. Pull the nozzle out manually.
2. Clean the nozzle opening from the outside with a water jet or pressurized air.
3. Visually inspect the nozzle. If it looks damaged, replace it with a new one.
4. Reattach the nozzle using the dedicated nozzle-opener (black). You should feel it snap into place.



NOTE

The rear nozzle can also be detached manually.

MAINTENANCE

Checking the white washer

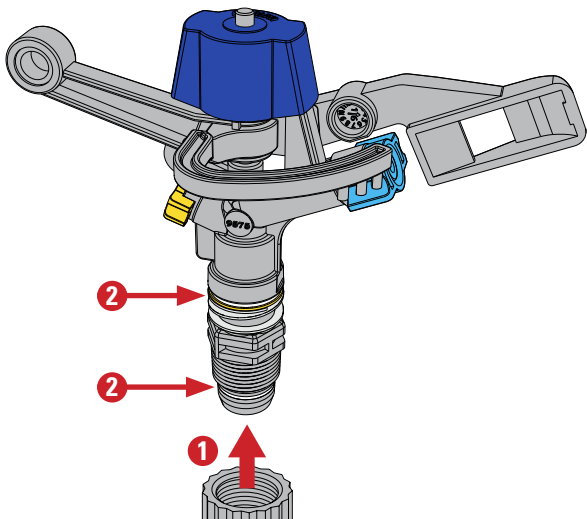
Frequency:

Before the beginning of each growing season

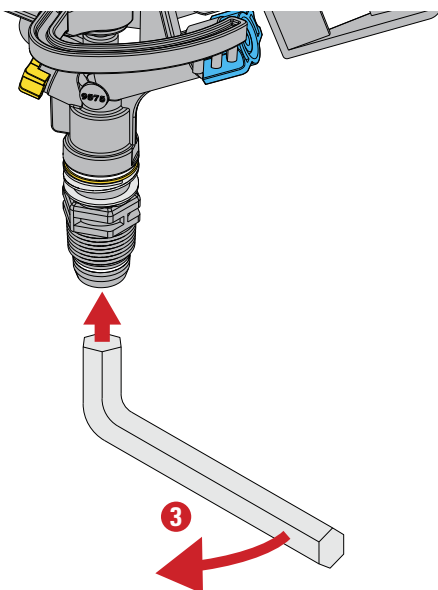
Action:

1. Remove the sprinkler from the stand using an adjustable wrench.
2. Visually inspect the 2 white washers at the bottom of the sprinkler.

During regular operation of the sprinkler, the white washers gradually wear thinner. Their original thickness is 1.5 mm.

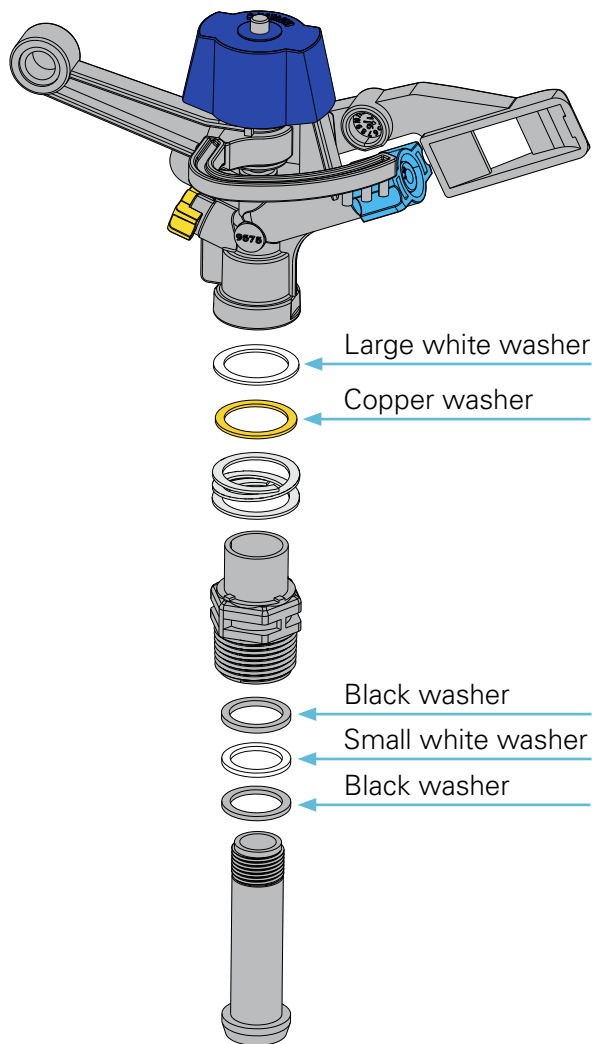


3. If the white washers reach half their original thickness or less, replace them with new ones. Use a 12-mm Allen key (not supplied) to open the bottom of the sprinkler.



NOTE

Make sure to place the top (large) white washer above the copper washer and the bottom (small) white washer in between the two black washers.



4. Screw back the bolt using a 12-mm Allen key.
5. Remove the old Teflon tape from the sprinkler thread and apply 3 layers of new Teflon tape to prevent leakage.
6. Re-connect the sprinkler to the stand using an adjustable wrench.



NOTE

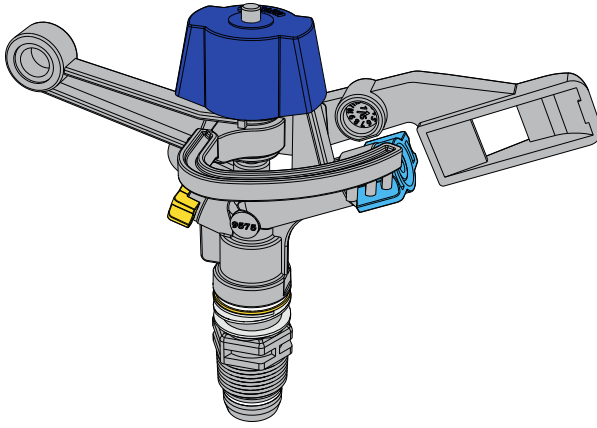
It is recommended to replace the white washers every 2000 irrigation hours.

PARTS, TOOLS AND COMPLEMENTARY PRODUCTS

Parts

D-Net™ 9575 catalog numbers

Nozzle size (mm)	Nozzle color code	Nominal working pressure (bar)	Nominal flow rate* (l/h)	Catalog number
3.57 + 2.5	Blue + yellow	3.0	1200	60100-002000
3.96 + 2.5	Green + yellow		1400	60100-002010
4.36 + 2.5	Grey + yellow		1600	60100-002020
4.76 + 2.5	Yellow + yellow		1800	60100-002030
5.10 + 2.5	Black + yellow		2000	60100-002040



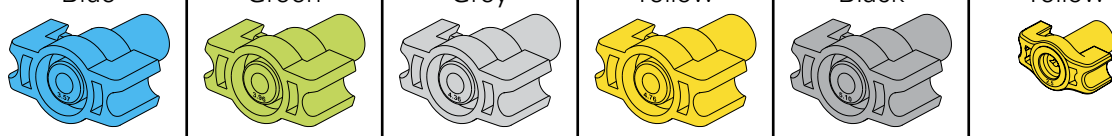
*Nominal flow rate at 3.0 bar working pressure

Packaging data



Model	Units p/box	Box size (cm x cm x cm)	Box weight (Kg)	Boxes p/pallet	Total units p/pallet	Pallet weight (Kg)
D-Net™ 9575	50	54 x 20 x 48	8.9	20	1000	200

D-Net™ 9575 sprinkler nozzles

Size (mm)	Front nozzle					Rear nozzle
	3.57	3.96	4.36	4.76	5.10	2.5
Color code	Blue	Green	Grey	Yellow	Black	Yellow
Catalog number	60100-002100	60100-002101	60100-002102	60100-002103	60100-002104	60100-002160

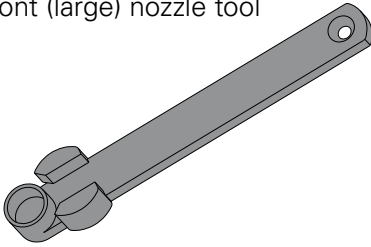
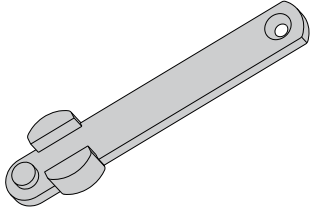


D-Net™ 9575 washers

Product description	D-NET 9575 large white washer 	D-NET 9575 small white washer 
Catalog number	60100-002180	60100-002170

PARTS, TOOLS AND COMPLEMENTARY PRODUCTS

Tools

Product description	D-Net front (large) nozzle tool 	D-Net rear (small) nozzle tool 
Catalog number	60100-003600	60100-001200

WARRANTY

Netafim™ warrants all the components of the D-Net™ 9575 sprinkler to be free of substantial defects in material and workmanship for a period of no more than 1 (one) year from the date of purchase.

If a defect is discovered during the applicable warranty period, Netafim™ will repair or replace, at its discretion, the product or the defective part.

This warranty does not extend to repairs or replacements of a D-Net™ 9575 sprinkler or part resulting from misuse, negligence, alteration, force majeure, lightning, improper installation or improper maintenance, including any maltreatment of the D-Net™ 9575 sprinkler or any part of the irrigation systems.

If a defect arises in your Netafim™ product during the warranty period, contact your Netafim™ supplier.

Limited warranty

This warranty is subject to the terms and conditions contained in Netafim's official warranty statement in force at the time of application.

For the full text of Netafim's official warranty statement, go to:

<http://www.netafim.com/irrigation-products-technical-materials>

GROW MORE WITH LESS

WWW.NETAFIM.COM