

VF150

CAST IRON VORTEX SUBMERSIBLE DRAINAGE PUMP

VF150 is designed for clear or grey water containing some soft solids. Typical applications include dewatering pits, drainage, water features and low-lying areas prone to flooding.



KEY FEATURES

- Strong durable cast iron pump body
- 15mm soft solids passable
- Vortex impeller
- Lip seal and dual mechanical seal
- Float switch
- Moisture sealed cable inlet
- Max head -7m
- Max flow - 150lpm

APPLICATIONS

- Disposal of wastewater, septic effluent water and grey water of a neutral pH.
- Dewatering (clear and grey water).
- Water treatment circulation.

PUMP INFORMATION

Vertical, single-stage, submersible pump capable of pumping soft solids up to 15mm in diameter. Polycarbonate vortex impeller with cast iron casing, feet and 1/4" BSP (female) discharge port. 304SS motor casing.

Pump casing:	Cast iron
Impeller:	Polycarbonate
Motor shaft:	304SS
Mechanical seal:	Carbon ceramic mechanical seal & lip seal
IP Rating:	IP68

OPERATING CONDITIONS

Drainage pump for the disposal of wastewater, including rainwater, septic effluent water and grey water of neutral pH containing soft particles up to 15mm diameter. Install pump vertically (hose connection possible).

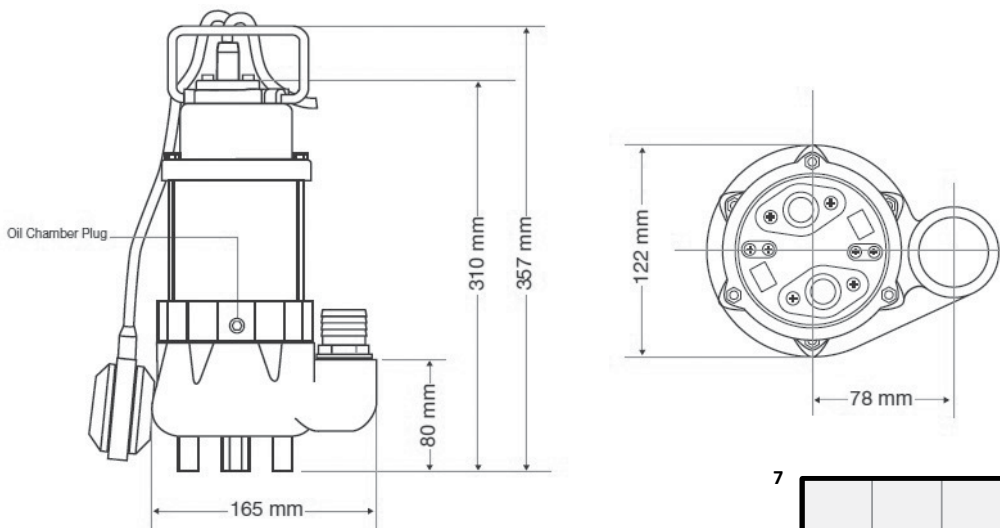
Fluid:	Water
Max water temperature:	40°C
Min water temperature:	1°C
Maximum submergence:	6m
Pump on level (factory set):	500mm
Pump off level:	75mm
Suitable pH range:	5 - 9

ELECTRICAL DATA

Type	Type of current	Voltage ± 10%	Frequency Hz	Motor rating kW		RPM min	Locked rotor current Ampere	Current Ampere	Motor protection	Insulation class	Cable length
				P1	P2						
VF150	1-phase	230	50	0.35	.18	2850	9.5	1.75A	Yes	F	6 m

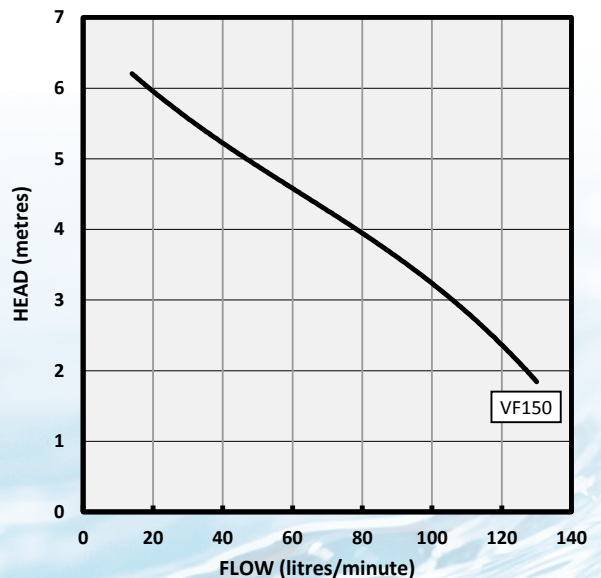
DIMENSIONS

Type	Maximum L x W x H	Weight approx.	Packed L x W x H	Packed weight	Discharge branch	Free passage	Continuous operating temperature range
VF150	122 x 165 x 357 mm	9kg	200 x 200 x 380 mm	10kg	1/4" BSP (female)	15 mm	1° - 40°



PERFORMANCE

Type	Delivery head H [m]	1	2	3	4	5	6
VF150	Flow rate capacity [lpm]	-	128	106	78	47	19



1-21 Monash Drive | Dandenong South, VIC 3175 | Australia | 1300 137 344 | pentair.com.au

Information contained here-in remains the property of Pentair Australia Pty Ltd under Australian copyright law. Content may not be reproduced or transmitted without our prior written permission.

© 2022 Pentair. All rights reserved. This document is subject to change without notice.