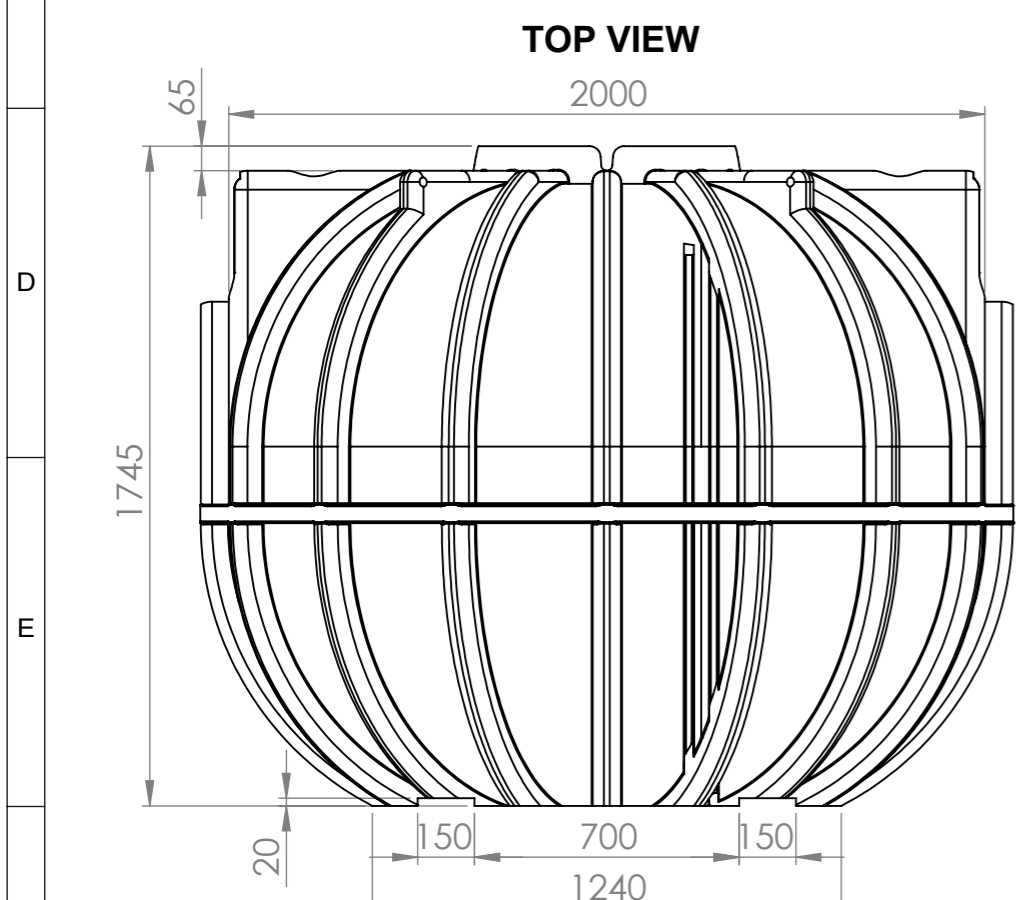


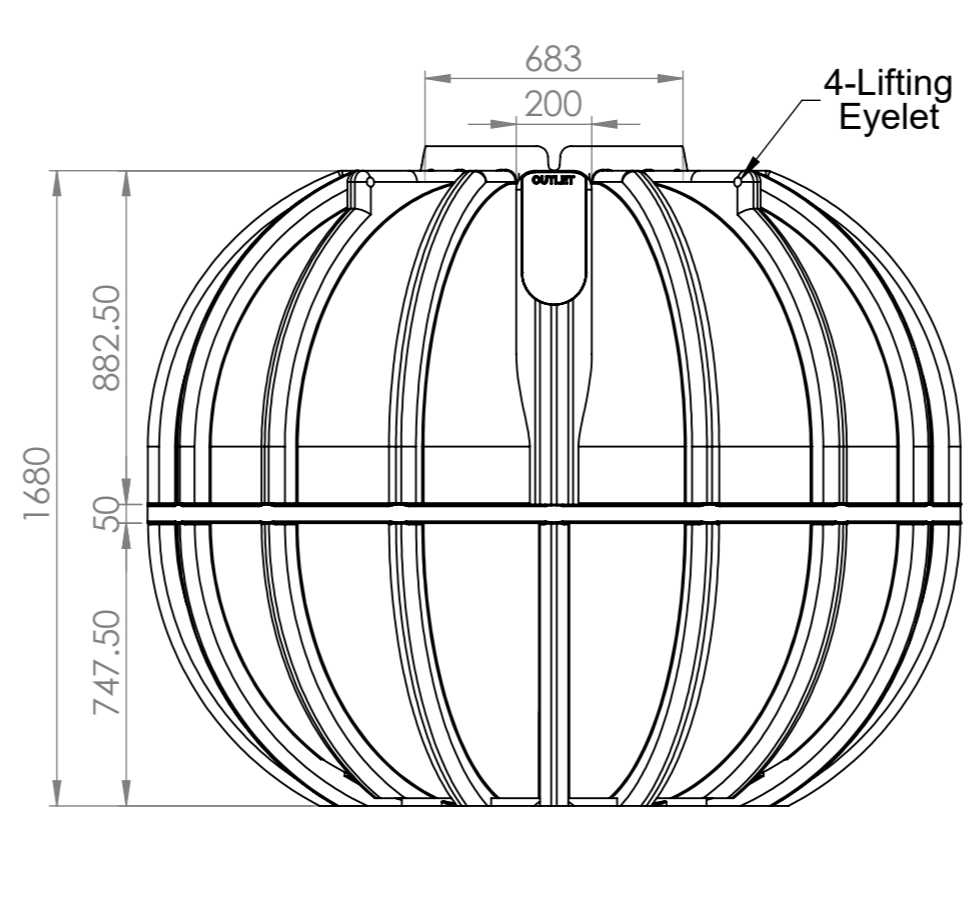


TOP VIEW

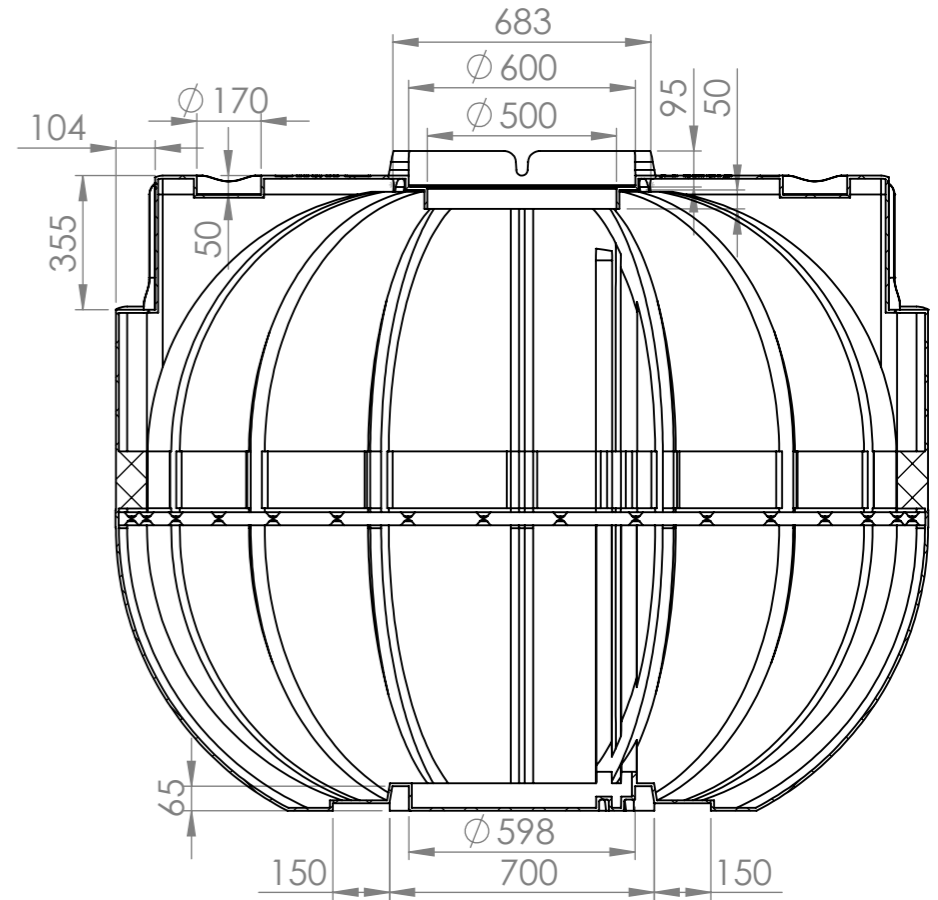
ISOMETRIC VIEW



FRONT VIEW



SIDE VIEW



SECTION A-A



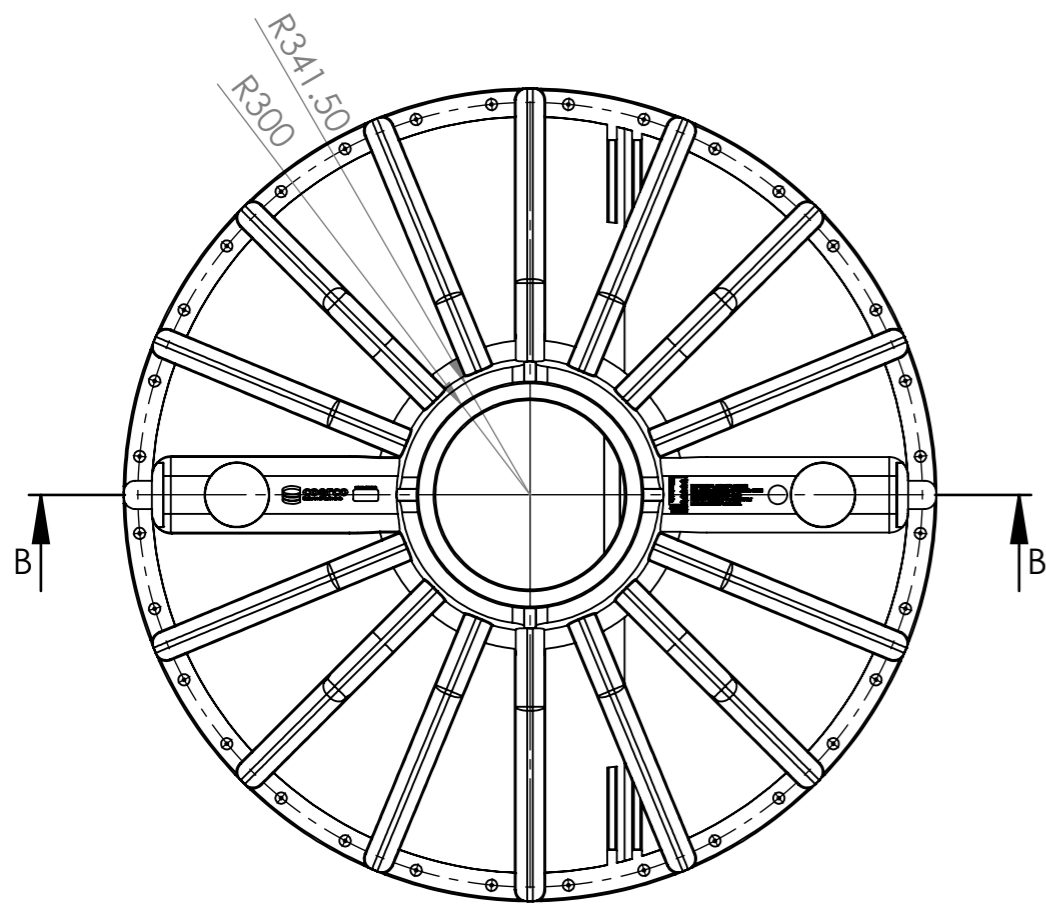
DATE	02/09/2019	MATERIAL	-
PRODUCT	3,200 Litre Septic Tank	SURFACE FINISH	-
PRODUCT CODE	SEP3200	WALL THICKNESS	-
DRAWING No	C - SEP3200 - 001	SCALE	NO TO SCALE

REV	BY	DATE	DESCRIPTION
3	GT	15/10/2020	UPDATED DRAWING
2	GT	06/08/2020	CHANGED TANK CAPACITY TO 3200L

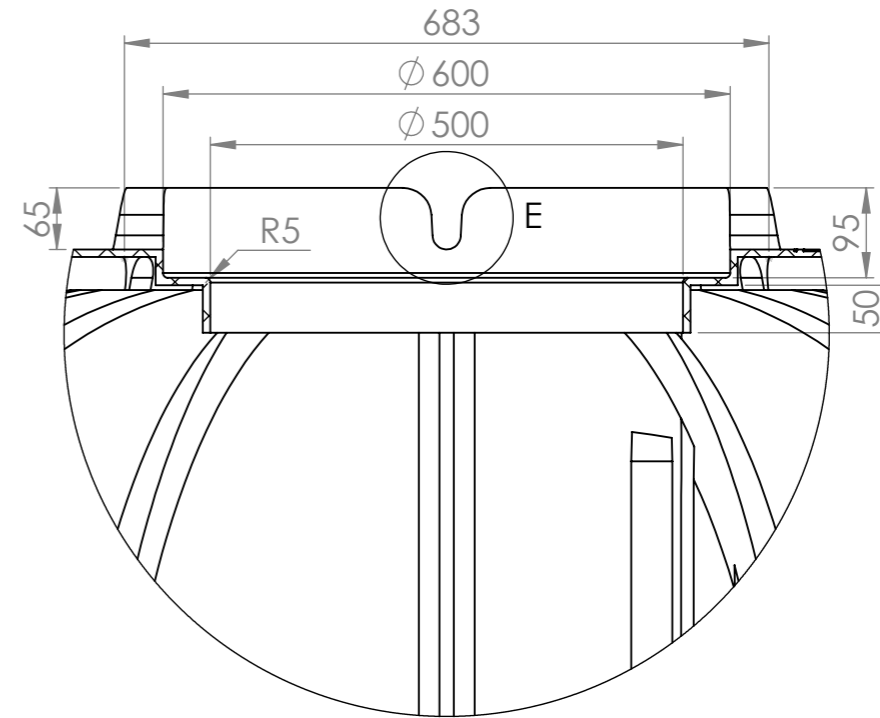
SHEET 1 OF 1
CHKD
APVD
SHEET SIZE <b>A3</b>

© THIS DRAWING IS THE COPYRIGHT OF COERCO. IT CANNOT BE COPIED IN PART OR FULL WITHOUT THE WRITTEN PERMISSION OF COERCO

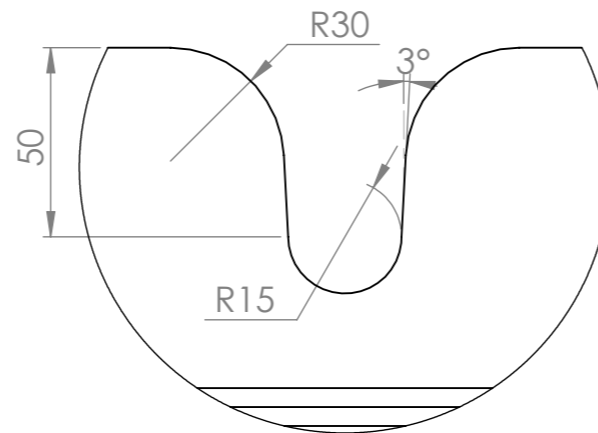
# TOP & BOTTOM



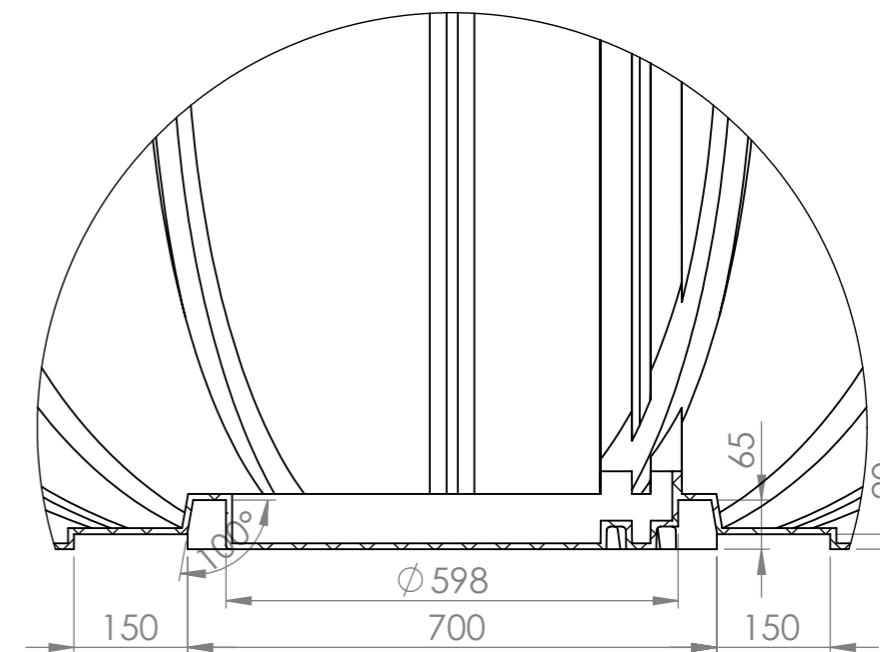
TOP VIEW



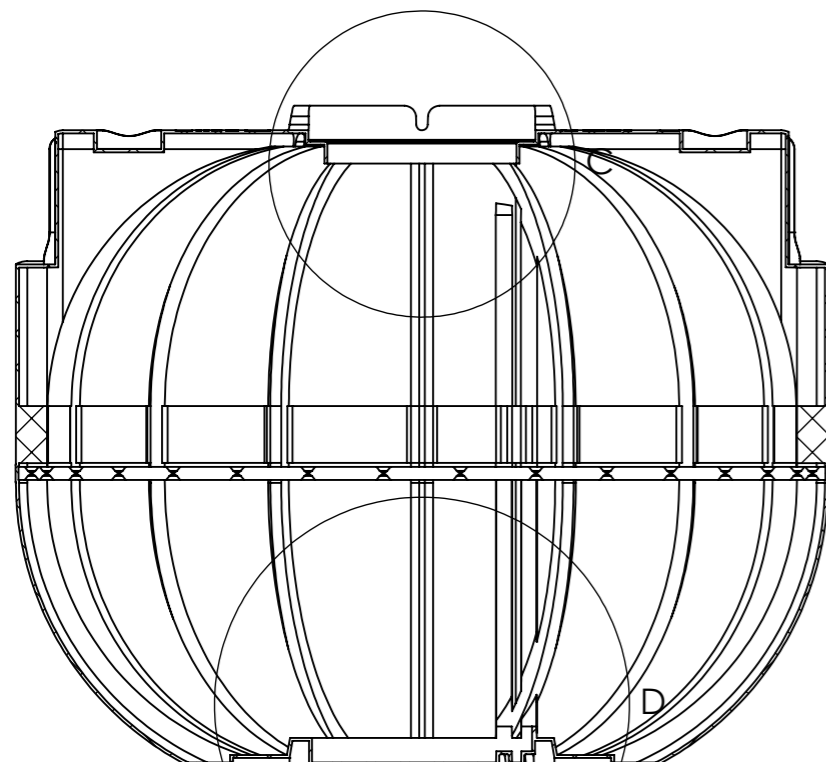
DETAIL C



DETAIL E



DETAIL D



SECTION B-B



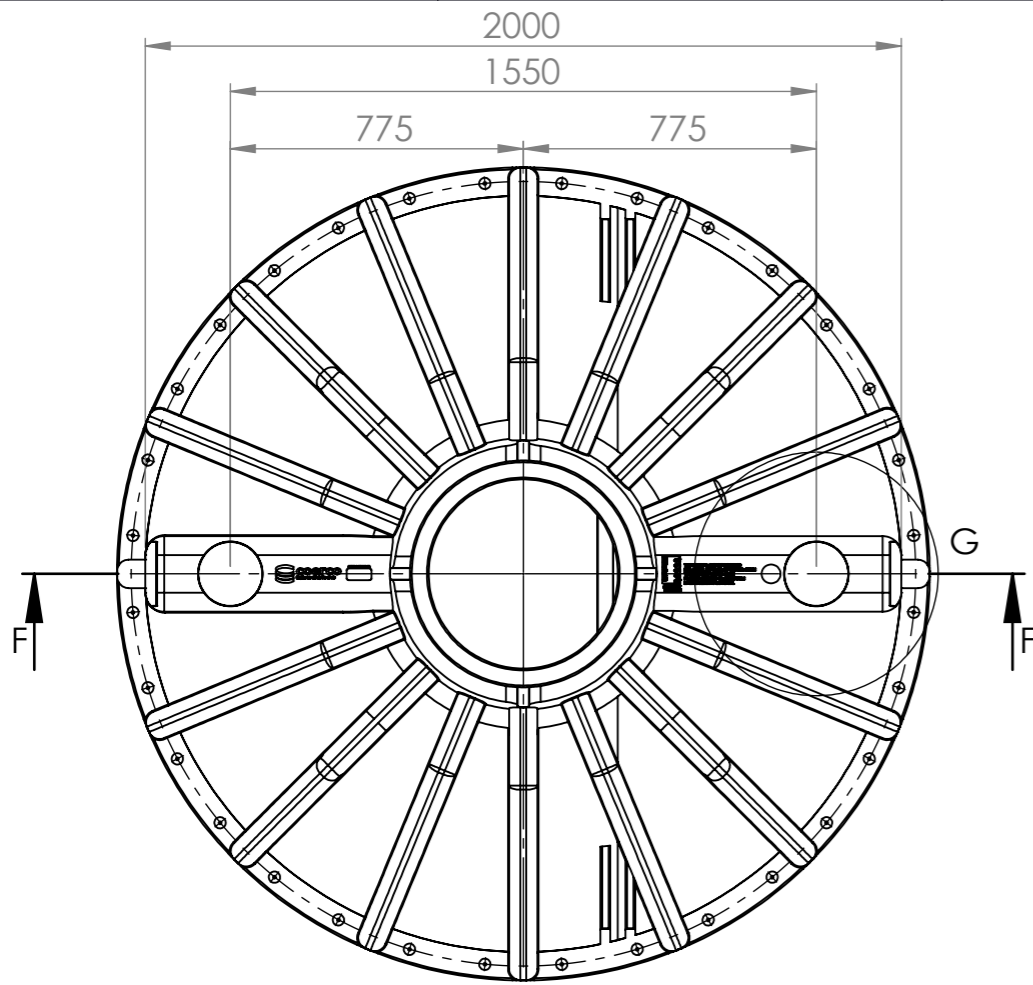
DATE	02/09/2019	MATERIAL	-
PRODUCT	3,200 Litre Septic Tank (Top & Bottom)	SURFACE FINISH	-
PRODUCT CODE	SEP3200	WALL THICKNESS	-
DRAWING No	C - SEP3200 - 001	SCALE	NO TO SCALE

REV	BY	DATE	DESCRIPTION
3	GT	15/10/2020	UPDATED DRAWING
2	GT	06/08/2020	CHANGED TANK CAPACITY TO 3200L

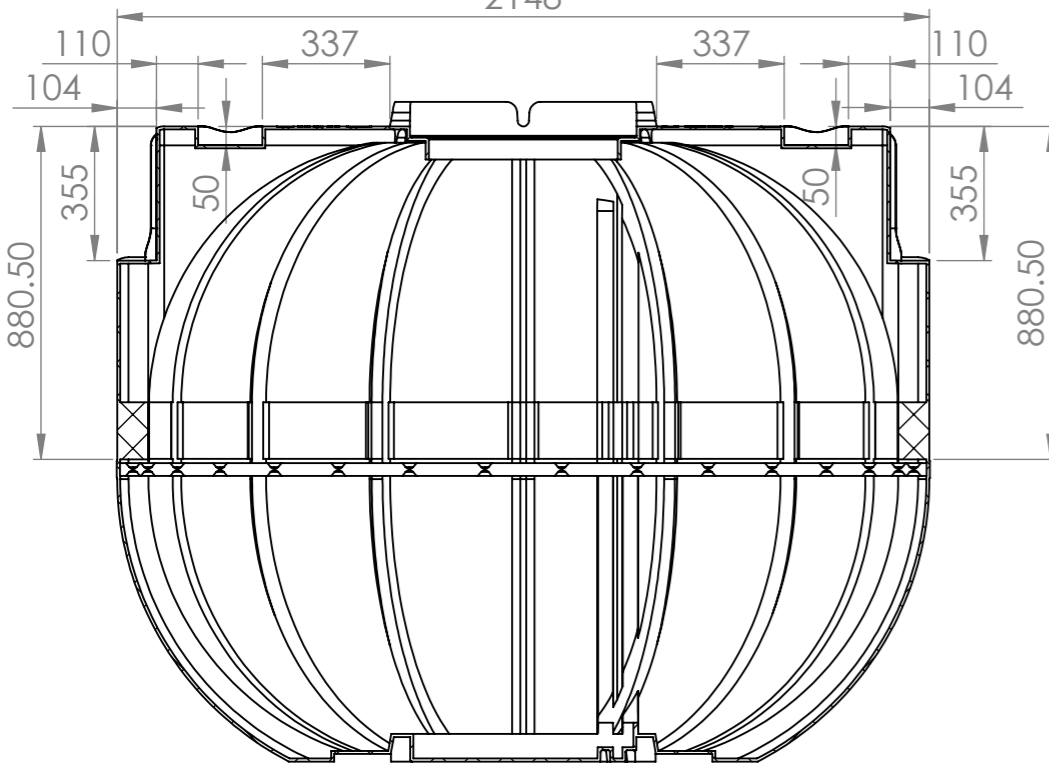
SHEET 1 OF 1
CHKD
APVD
SHEET SIZE <b>A3</b>

© THIS DRAWING IS THE COPYRIGHT OF COERCO. IT CANNOT BE COPIED IN PART OR FULL WITHOUT THE WRITTEN PERMISSION OF COERCO

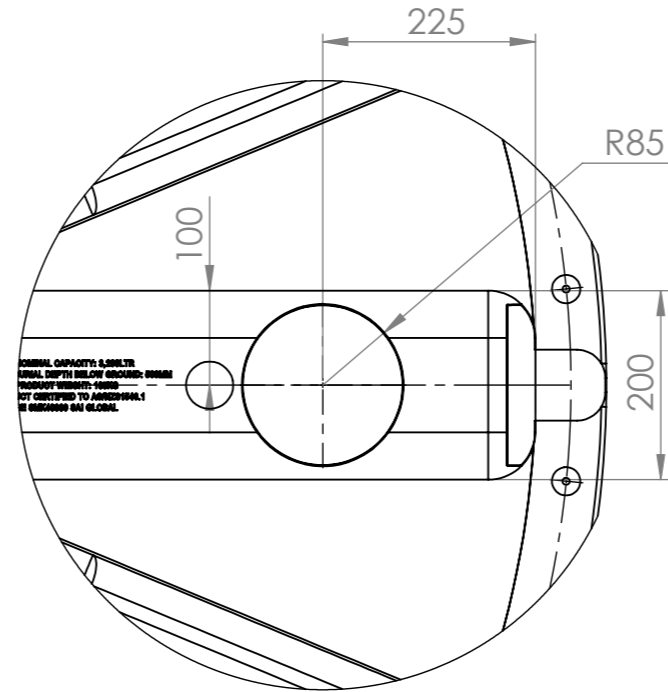
# FLAT SURFACE (INLET & OUTLET)



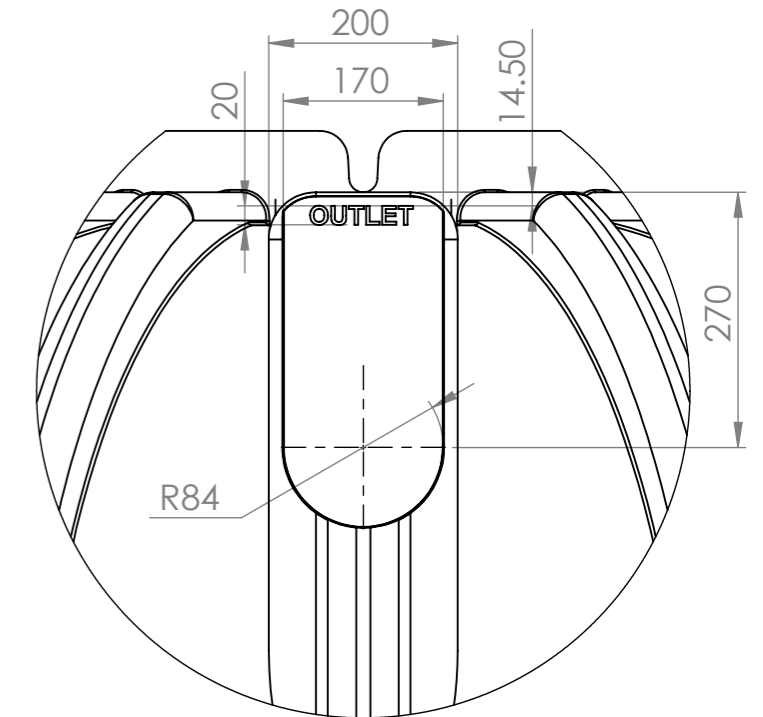
**TOP VIEW**  
2148



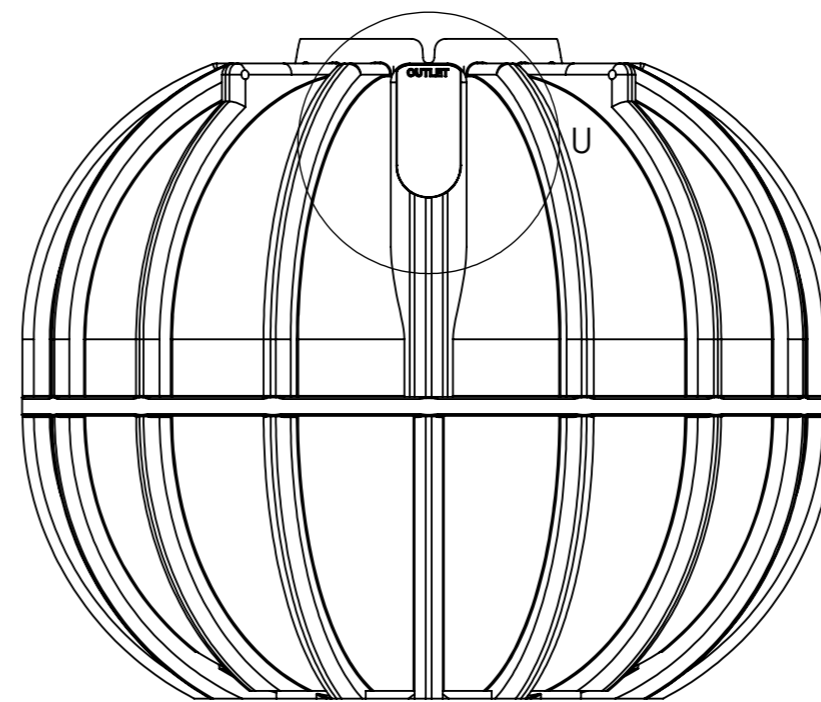
**SECTION F-F**



**DETAIL G**



**DETAIL U**



**SIDE VIEW**



DATE	27/08/2019
PRODUCT	3,200 Litre Septic Tank (Flat Surface)
PRODUCT CODE	SEP3200
DRAWING No	C - SEP3200 - 001

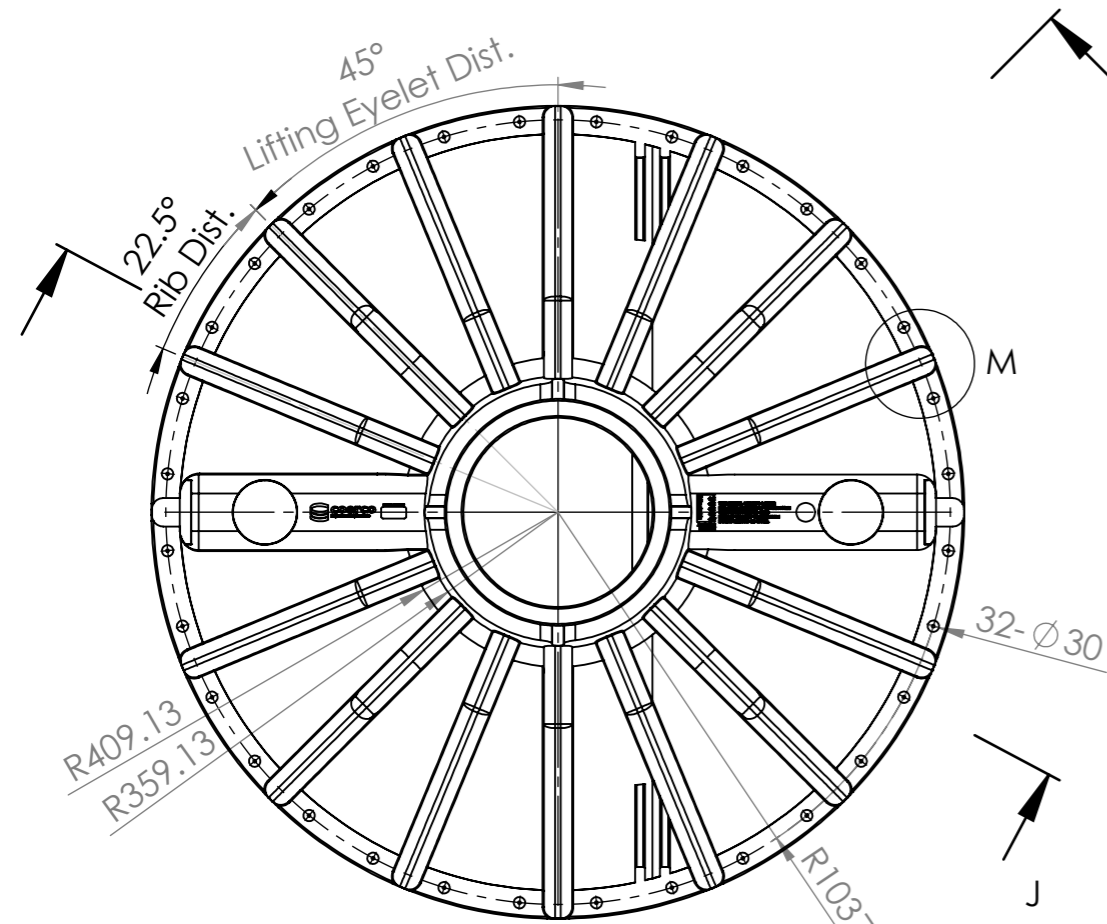
MATERIAL	-
SURFACE FINISH	-
WALL THICKNESS	-
SCALE	NO TO SCALE

REV	BY	DATE	DESCRIPTION
3	GT	15/10/2020	UPDATE DRAWING
2	GT	06/08/2020	CHANGED TANK CAPACITY TO 3200L

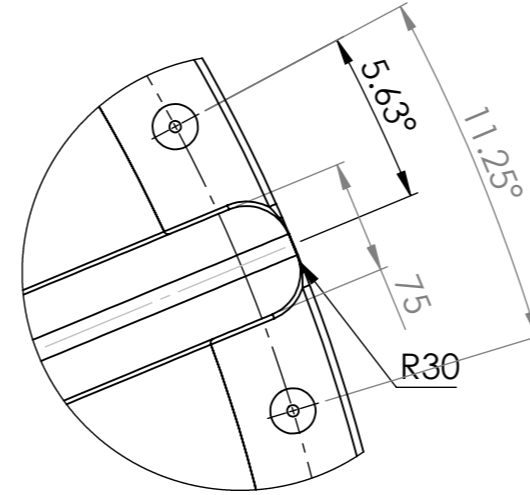
SHEET 1 OF 1
CHKD
APVD
SHEET SIZE <b>A3</b>

© THIS DRAWING IS THE COPYRIGHT OF COERCO. IT CANNOT BE COPIED IN PART OR FULL WITHOUT THE WRITTEN PERMISSION OF COERCO

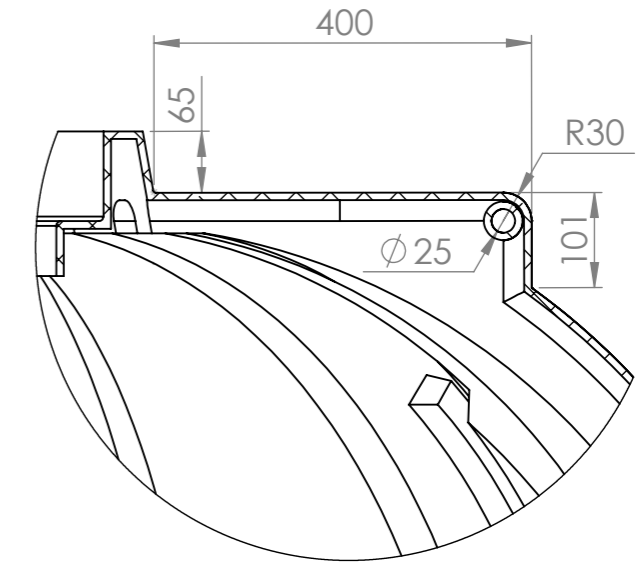
# TOP & BOTTOM RIBS



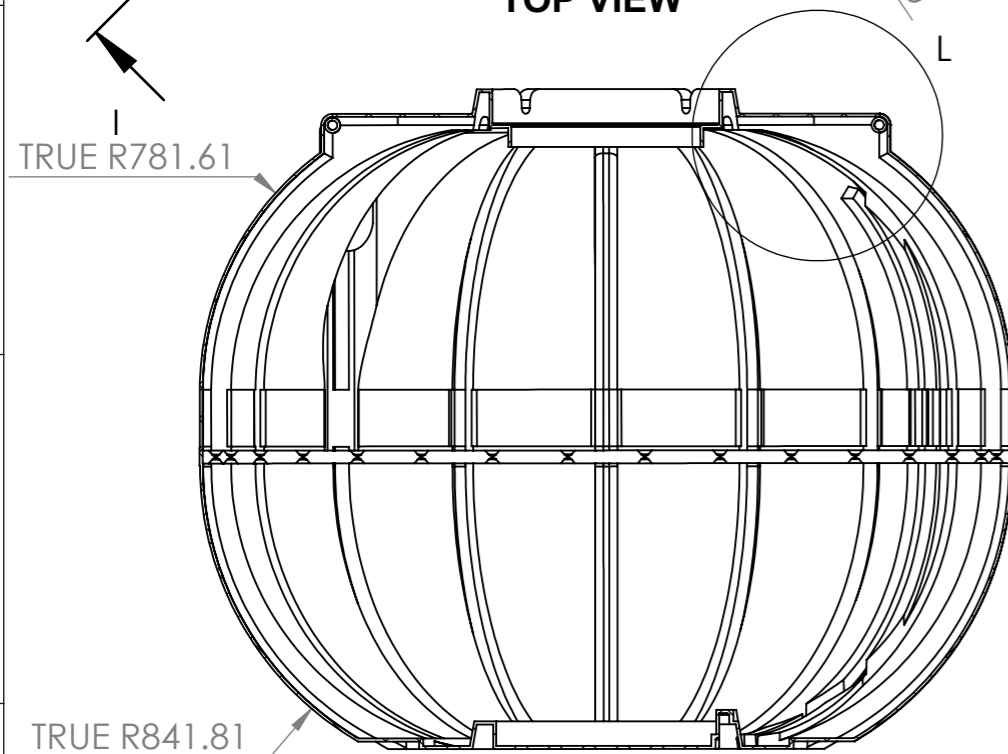
TOP VIEW



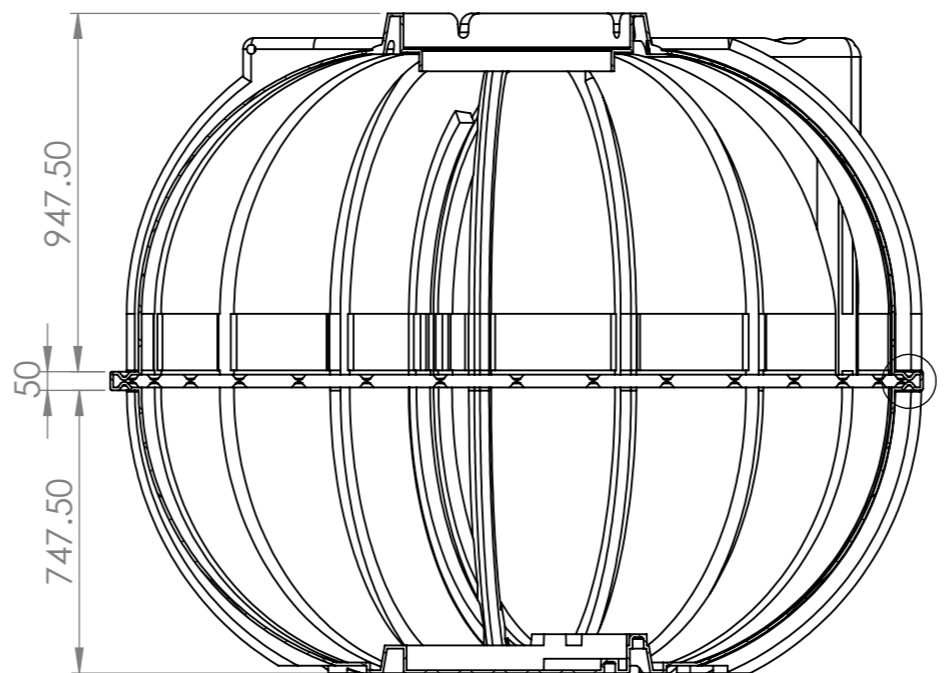
DETAIL M



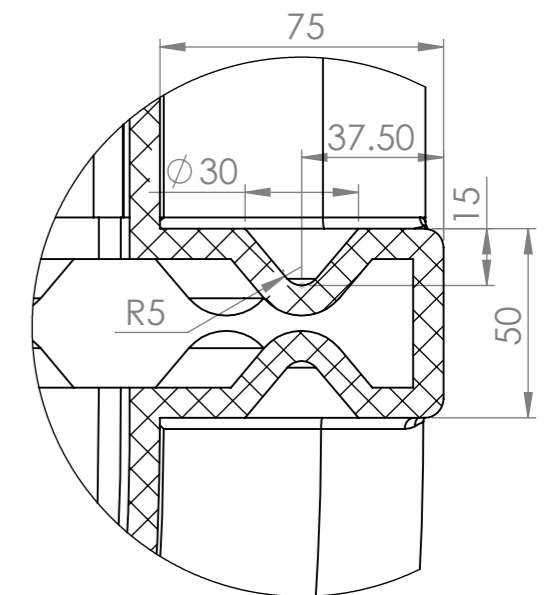
DETAIL L



SECTION I-I



SECTION J-J



DETAIL K



DATE 02/09/2019  
 PRODUCT 3,200 Litre Septic Tank (Top & Bottom Ribs)  
 PRODUCT CODE SEP3200  
 DRAWING No C - SEP3200 - 001

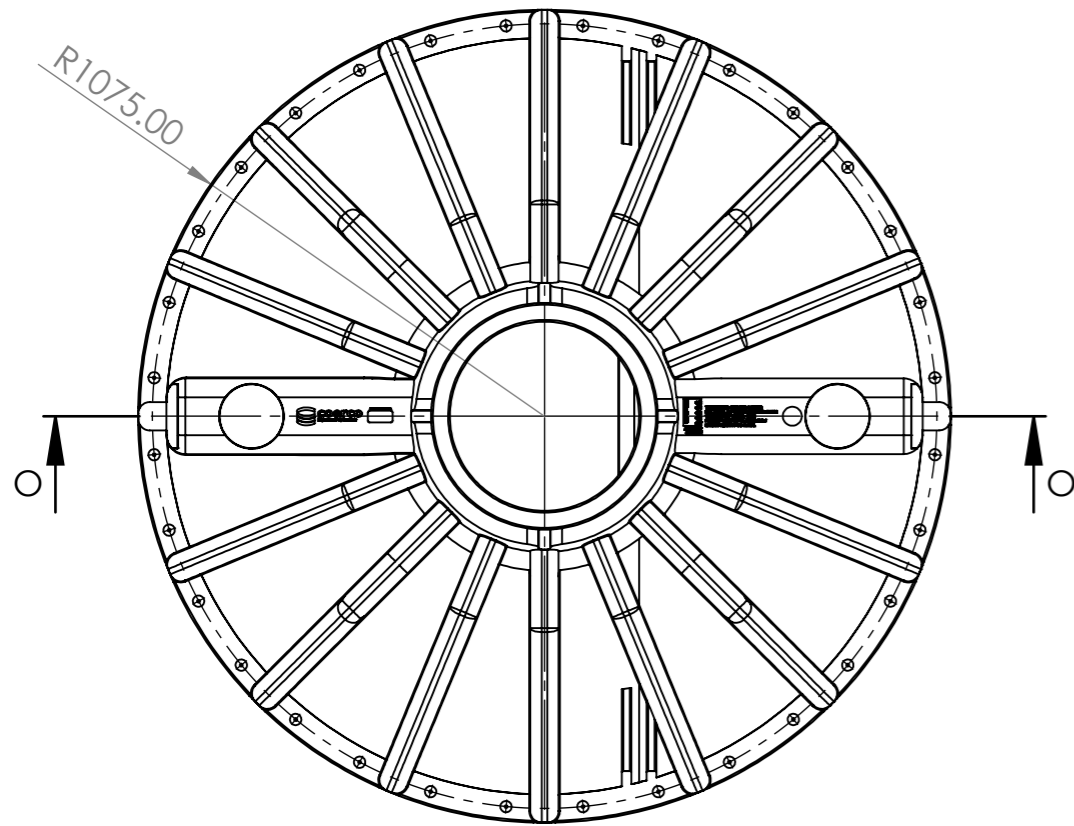
MATERIAL -  
 SURFACE FINISH -  
 WALL THICKNESS -  
 SCALE NO TO SCALE

REV	BY	DATE	DESCRIPTION
3	GT	15/10/2020	UPDATED DRAWING
2	GT	06/08/2020	CHANGED TANK CAPACITY TO 3200L

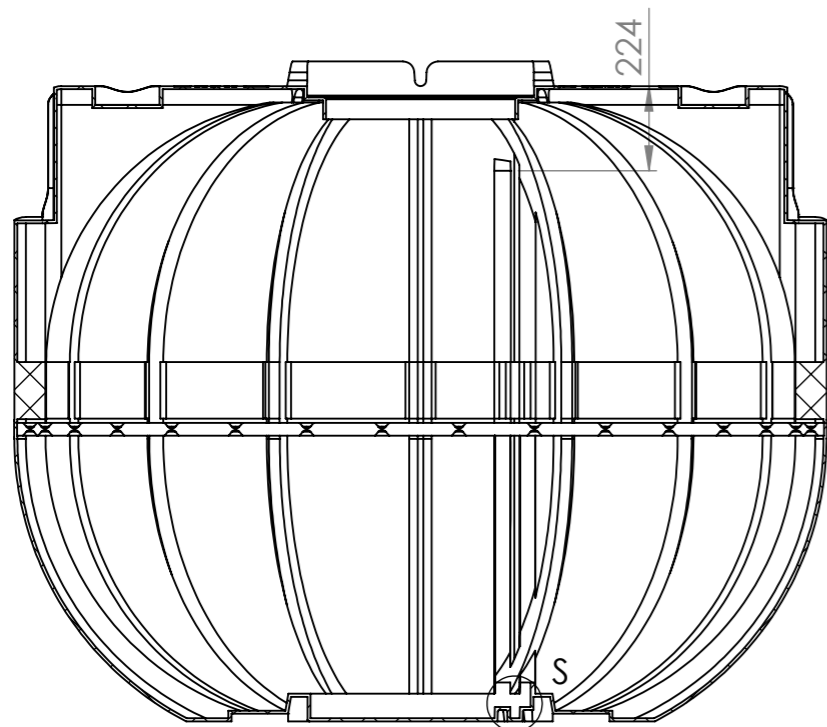
SHEET 1 OF 1  
 CHKD  
 APVD  
 SHEET SIZE **A3**

© THIS DRAWING IS THE COPYRIGHT OF COERCO. IT CANNOT BE COPIED IN PART OR FULL WITHOUT THE WRITTEN PERMISSION OF COERCO

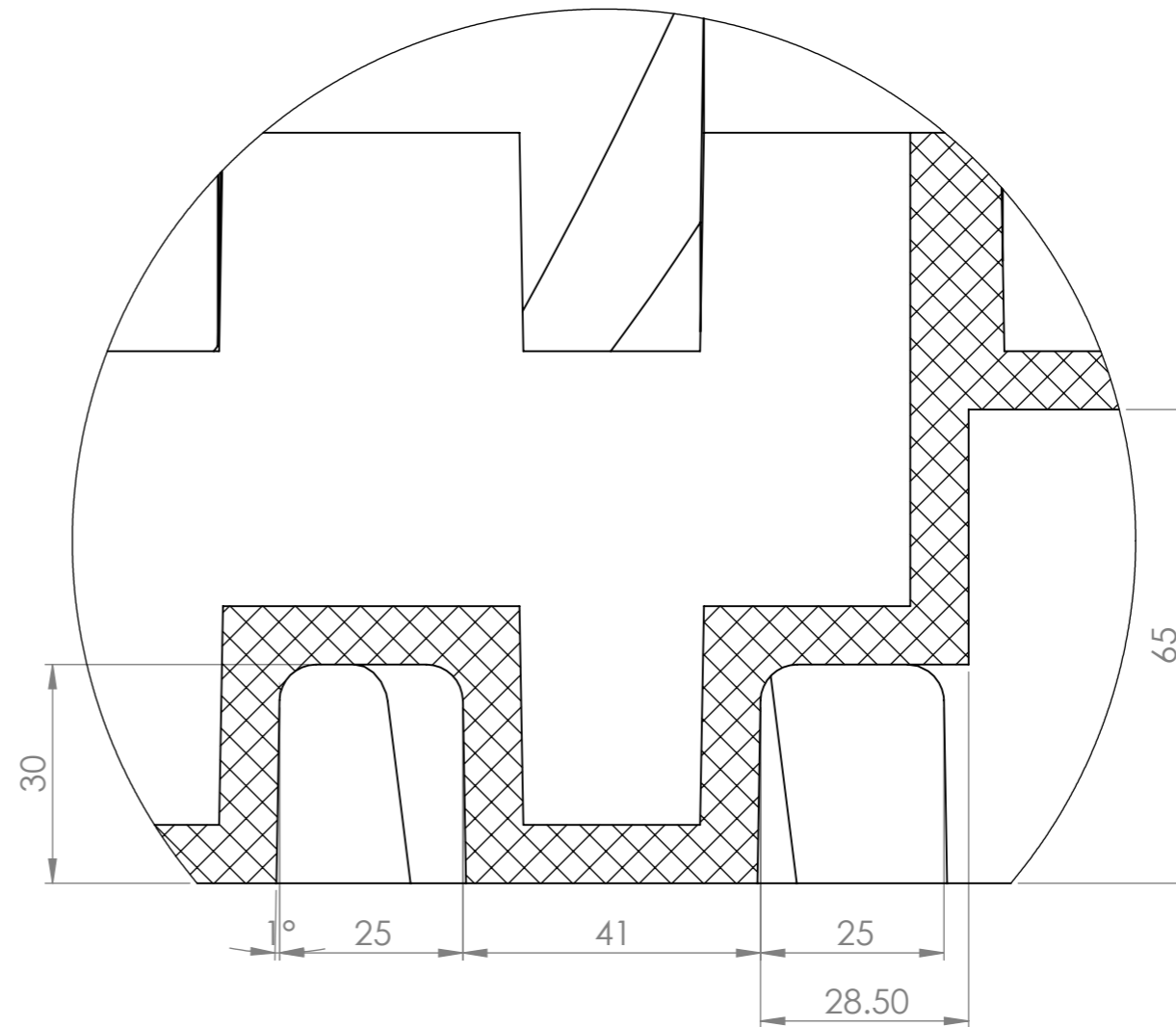
# BAFFLE GROOVES



TOP VIEW



SECTION O-O



DETAIL S



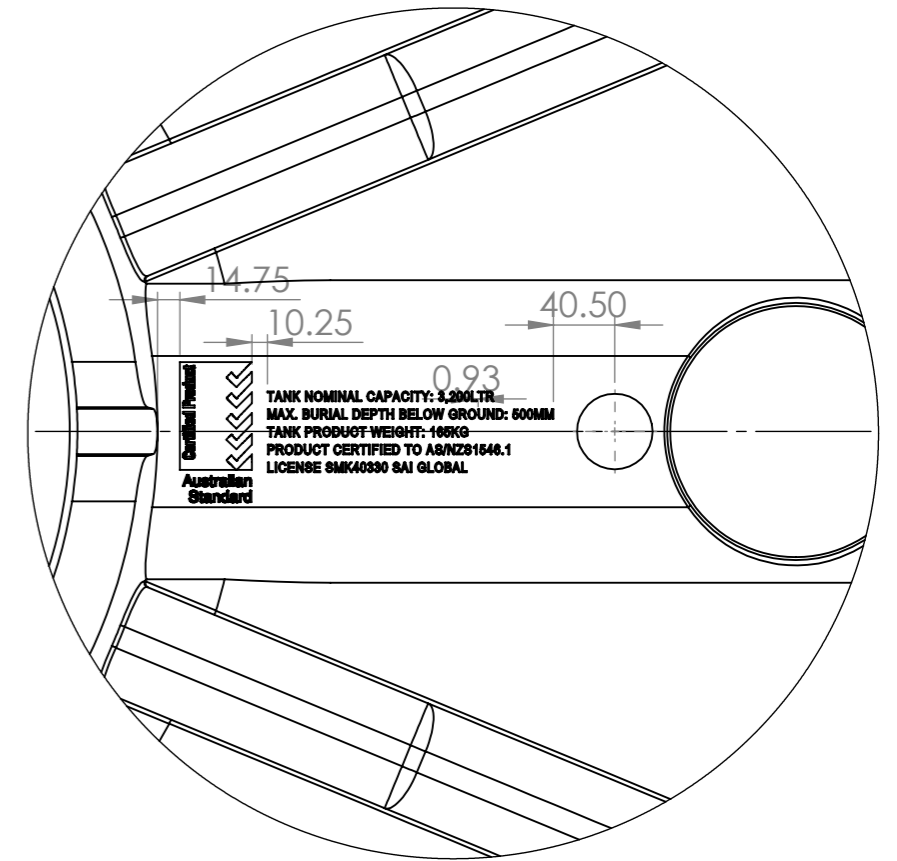
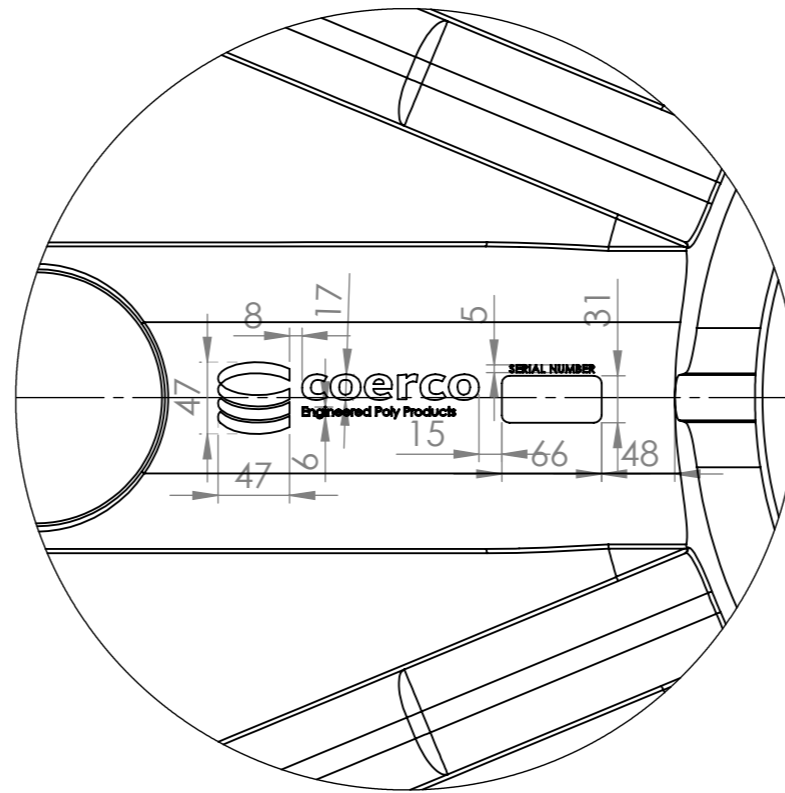
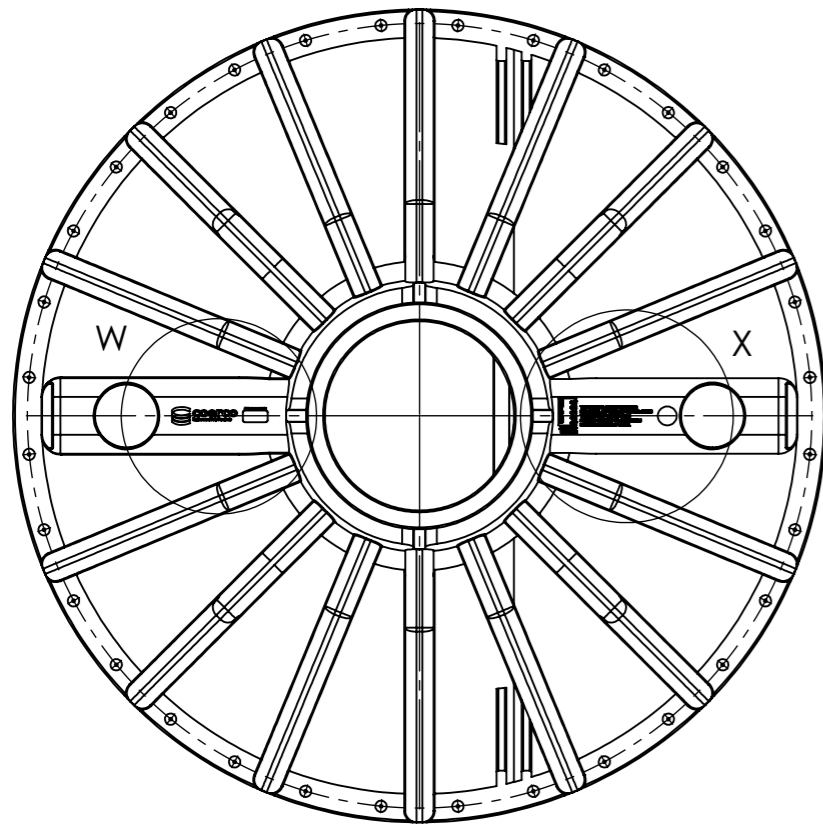
DATE	02/09/2019	MATERIAL	-
PRODUCT	3,200 Litre Septic Tank (Baffle Grooves)	SURFACE FINISH	-
PRODUCT CODE	SEP3200	WALL THICKNESS	-
DRAWING No	C - SEP3200 - 001	SCALE	NO TO SCALE

REV	BY	DATE	DESCRIPTION
3	GT	15/10/2020	UPDATED DRAWING
2	GT	06/08/2020	CHANGED TANK CAPACITY TO 3200L

SHEET 1 OF 1
CHKD
APVD
SHEET SIZE <b>A3</b>

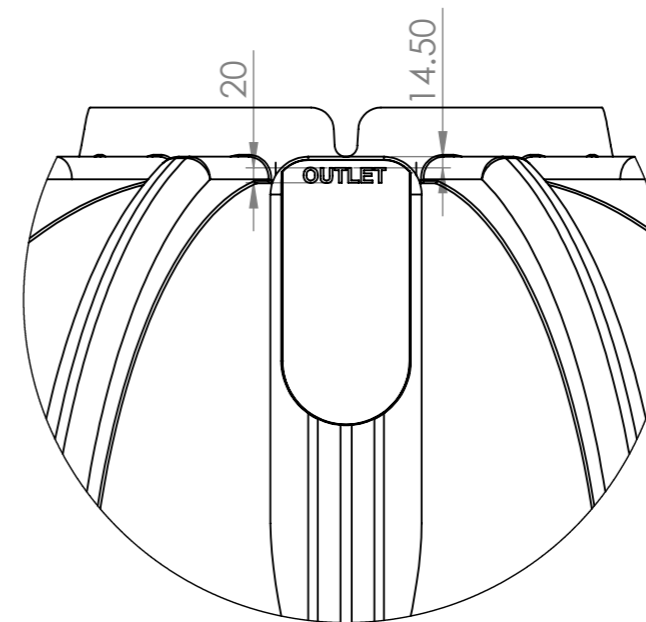
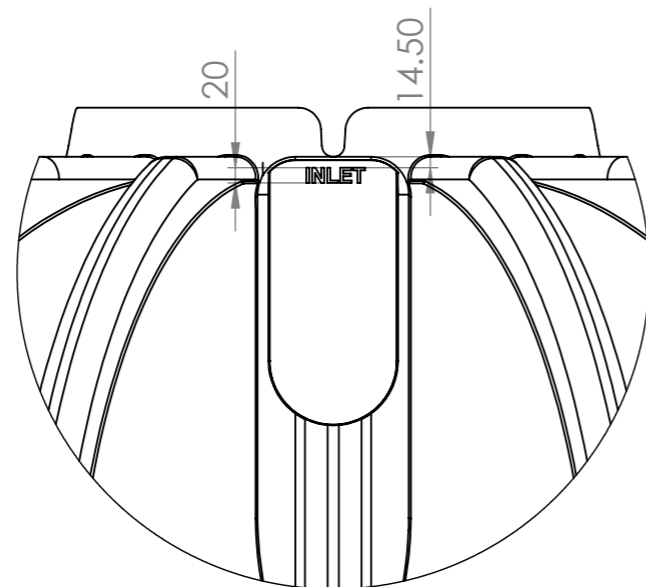
© THIS DRAWING IS THE COPYRIGHT OF COERCO. IT CANNOT BE COPIED IN PART OR FULL WITHOUT THE WRITTEN PERMISSION OF COERCO

# COERCO LOGO



DETAIL W

DETAIL X



INLET VIEW

OUTLET VIEW



DATE	10/09/2019	MATERIAL	-
PRODUCT	3,200 Litre Septic Tank (Logo)	SURFACE FINISH	-
PRODUCT CODE	SEP3200	WALL THICKNESS	-
DRAWING No	C - SEP3200 - 001	SCALE	NO TO SCALE

REV	BY	DATE	DESCRIPTION
3	GT	15/10/2020	UPDATED DRAWING
2	GT	06/08/2020	CHANGED TANK CAPACITY TO 3200L

SHEET 1 OF 1
CHKD
APVD
SHEET SIZE <b>A3</b>

© THIS DRAWING IS THE COPYRIGHT OF COERCO. IT CANNOT BE COPIED IN PART OR FULL WITHOUT THE WRITTEN PERMISSION OF COERCO