

# ROJO COMPACT FLOAT VALVE

## PRODUCT INFO



### Description

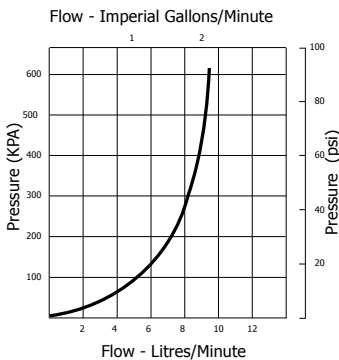
**Rojo Compact Valves** are float operated valves for automatic filling of water storage vessels. The Rojo Compact can be **mounted above or below water level**. It is a simple mechanically operated valve. The **Rojo Compact** is the optimal choice for **low flow** when space is limited as the narrow weighted float makes for a compact versatile design.

### Applications

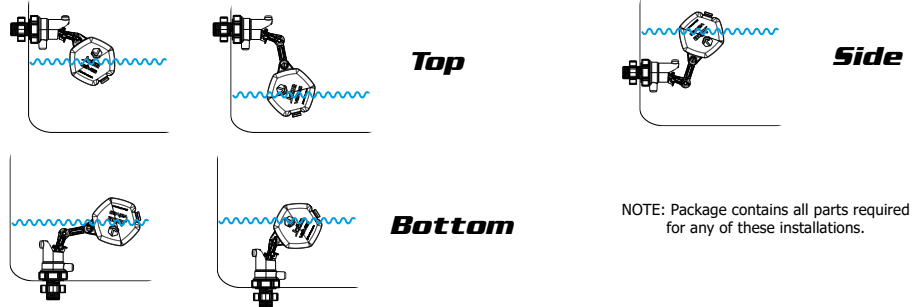
Maintaining water levels in:

- Animal drinking troughs
- Water storage tanks
- Water Cisterns
- Process applications

### Flow Graph



### Mounting Positions



### Options

**Inlet sizes:** 8mm 1/4" bsp/npt  
15mm 1/2" bsp/npt  
20mm 3/4" bsp/npt

### Pressure Rating:

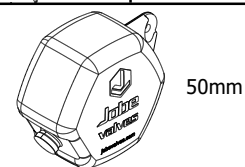
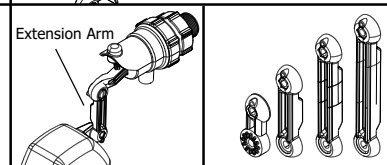
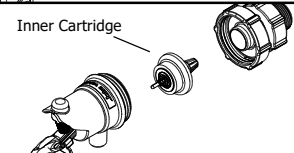
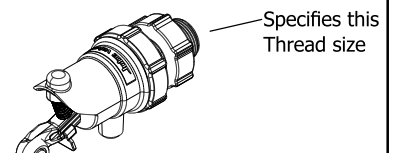
0 Bar (0 PSI) - 10 Bar (150 PSI)

### Extension Arms:

50mm Extension Arm supplied Standard

Available Extension Arm Lengths:  
25mm 50mm 75mm 100mm

**Float:** 50mm wide float supplied.  
Note: 50mm Compact float is weighted



### Features

- Fits in Compact spaces
- Float no wider than valve
- Multiple Mounting Positions
- Fully Adjustable Float
- Non-corrosive Material
- Flow stops when unscrewed
- Pressure range 0-10 Bar (0-150 PSI)
- Non corrosive material construction
- Has switch to lock valve in off position
- Helps to minimise water hammer

## ROJO COMPACT FLOAT VALVE SPECIFICATION

PRODUCT	INLET SIZE	CODE		CODE
		BSP	NPT	
Rojo Compact	1/4"	8	0025	RJVC15
	1/2"	15	0050	RJVC20
	3/4"	20	0075	

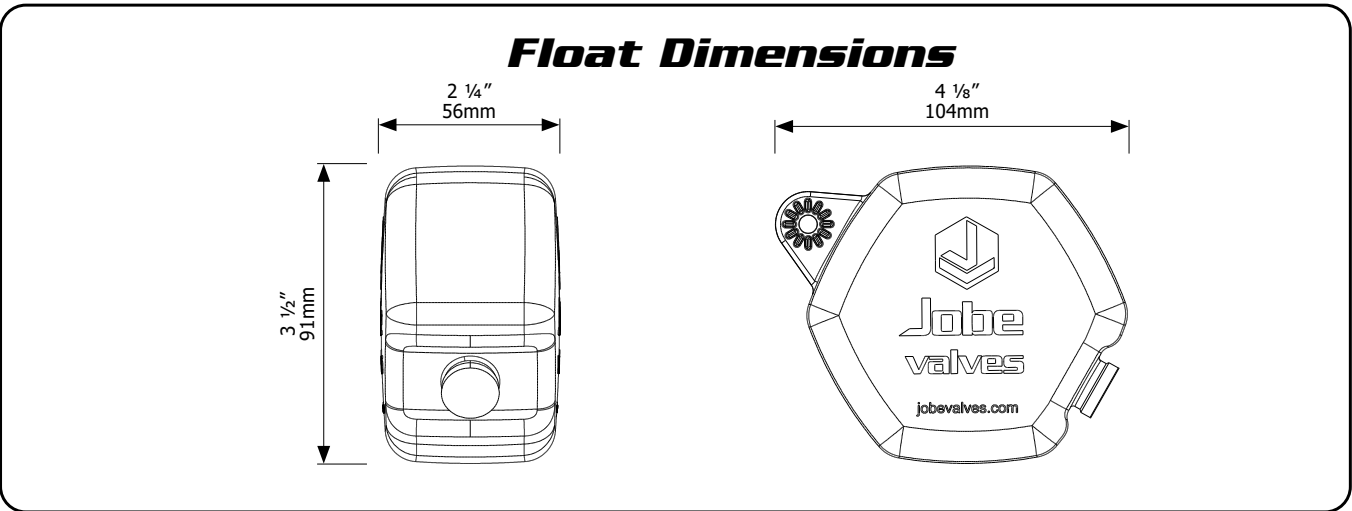
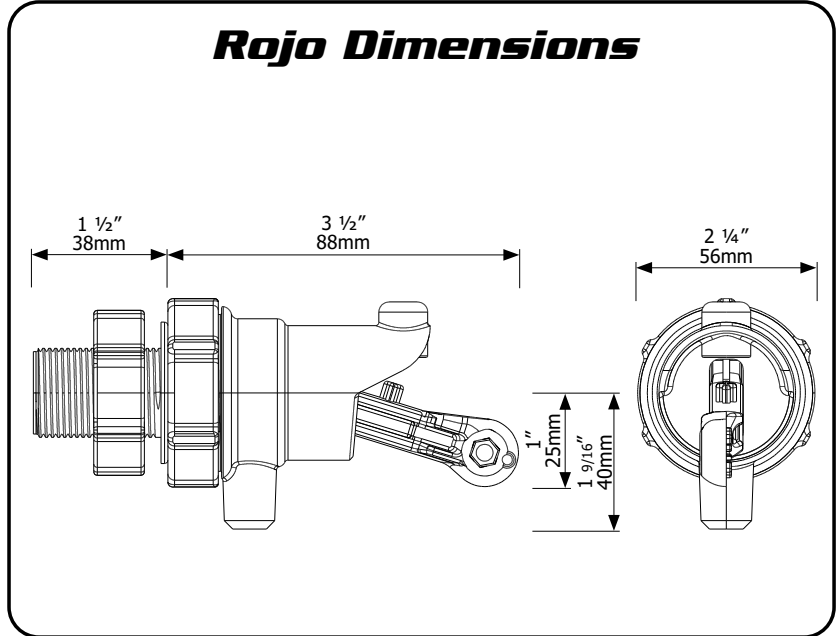
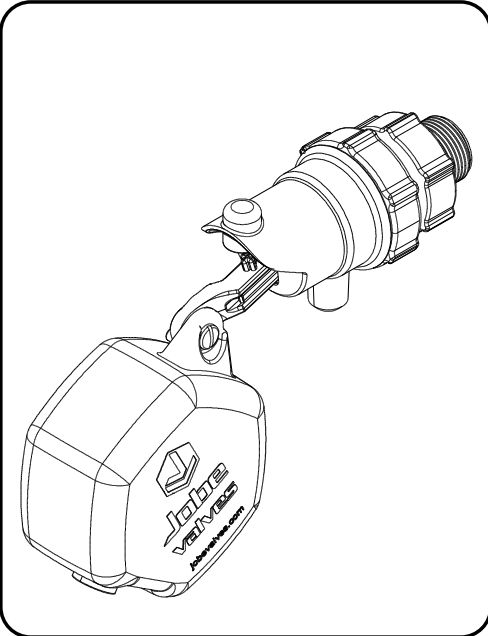
# ROJO COMPACT FLOAT VALVE

## DIMENSIONS & MATERIALS



**[COMPACT]**  
**ROJO FLOAT VALVE**

20 L / MIN



Part	Material	Part	Material
<b>Valve Body</b>	ABS	<b>Float</b>	HDPE
<b>Tail &amp; Nut Arm</b>	Glass Filled Nylon	<b>Seal Washer</b>	LOPE
<b>Extension Arm</b>		<b>Springs Bolts Nuts</b>	304 Stainless Steel
<b>Internal White Mouldings</b>	Acetal	<b>O'Rings</b>	Nitrile
<b>Yellow Valve Parts Filter</b>			

Maximum Operating Temperature **60°C, 140°F**

# ROJO COMPACT FLOAT VALVE

## PARTS IDENTIFICATION SHEET

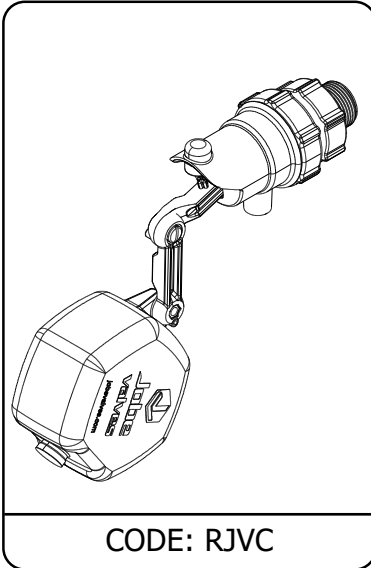


Intertek  
5002993  
Conforms to NSF/ANSI STD 372



[COMPACT]

FLOAT VALVE



CODE	DESCRIPTION
1	RJPC1 Float & Connection (Compact)
2	RJPC2 Body Assembly (Compact)
3	RJPC3A Inner Cartridge Assembly (Compact)
4	RJP415 15mm (1/2") Tail Assembly
	RJP420 20mm (3/4") Tail Assembly
	RJP420E 20mm (3/4") NPT Tail Assembly

CODE	DESCRIPTION
1	RJPC1013 50mm Float
2	RJP1020A Arm Bolt Slot
	RJP1020B Arm Bolt Phillips
3	RJP1030 Extension Arm 25mm
	RJP1031 Extension Arm 50mm (White)
	RJP1032 Extension Arm 75mm
	RJP1033 Extension Arm 100mm

CODE	DESCRIPTION
1	RJP2010 Lock-Off Switch
2	RJP2030 Body
3	RJPC2042 Arm Assembly (White)
4	RJPC2052 Retainer (White)

CODE	DESCRIPTION
1	RJPC3012 Inner Cartridge (White)
2	RJP3020 Filter

CODE	DESCRIPTION
1	RJP4009 8mm (1/4") Tail
	RJP4010 15mm (1/2") Tail
	RJP4011 20mm (3/4") Tail
	RJP4012 20mm (3/4") Tail NPT
2	RJP4020 15mm Seal Washer
	RJP4021 20mm Seal Washer
3	RJP4030 15mm (1/2") Backing Nut
	RJP4131 20mm (3/4") Backing Nut

20 L / MIN