

F6400



Rivulis F6400 Plastic Screen Filter (Semi Automatic)

- The perfect solution for small farms and for in-field back-up filtration
- Save labor with simple flushing. Just open the flushing valve and rotate the handle
- Pressure differential indicator allows you to easily see when a filter requires flushing

Save labor with the F6400 Semi Automatic Screen Filter

When a preset head loss level is reached, the clogging indicator will show that flushing is required. Flushing is as simple as opening the backflush valve and rotating the handle.

Additional Features:

- Large stainless steel (316 woven wire) screen
- Clogging indicator comes standard with all Rivulis F6400 filters
- Stainless steel clamp

Screen Area		
Size	Max. Operating Pressure	Filter Area
inch	bar	cm ²
2"	10	830
3"	10	1270

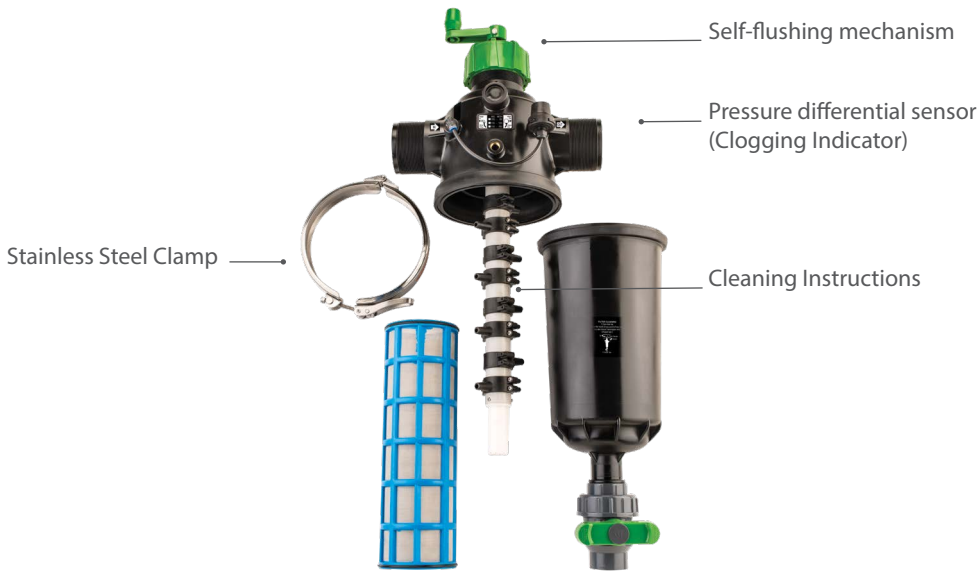
Screen Options / Colors	
Rating (micron)	Color
100	Yellow
130	Red
200	White



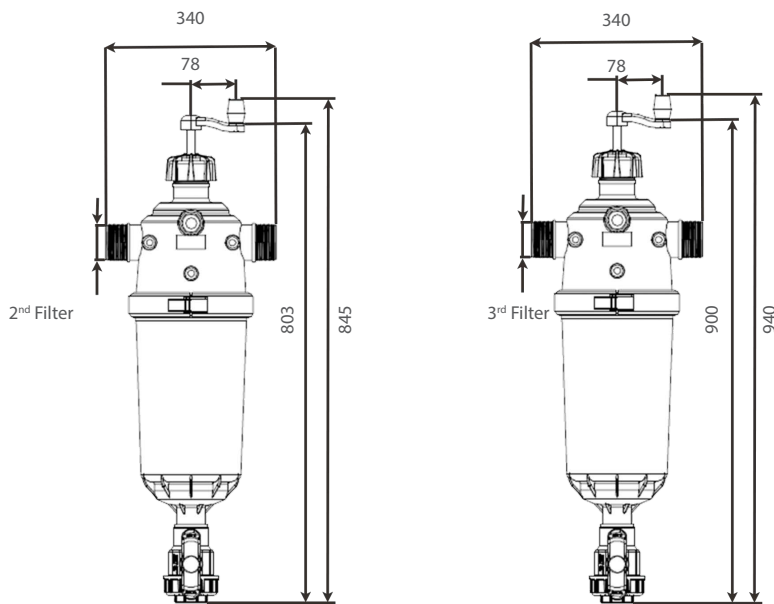
Rivulis F6400 Semi Automatic Screen Filter



Product Components



Product Dimensions



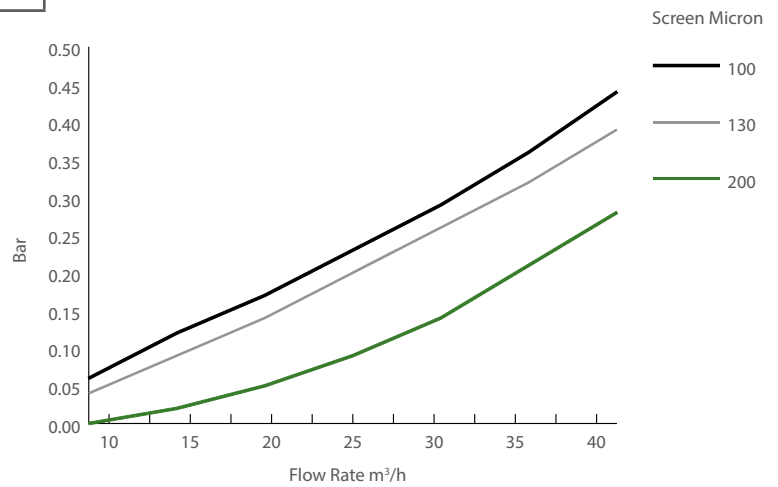
Product Specifications

Diameter	Body Type	Connection Options	Max. Flow Rate	Filter Area	Screen Options	Screen Type
inch			m ³ /h	cm ²	micron	
2	In Line	BSP, NPT, VIC,	25	830	100, 130, 200	Stainless steel (316 woven wire)
3		BSP, NPT, VIC, Universal flange kit available	40	1270	100, 130, 200	

Head Loss Chart

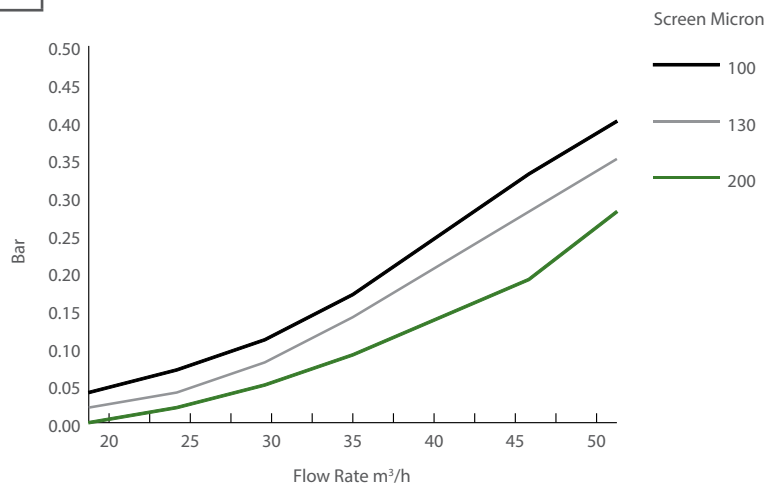
Rivulis F6400 Head Loss (bar)/Flow Rate (m³/h) 2"

Flow Rate (m ³ /h)	Head Loss (bar)		
	200 Micron	130 Micron	100 Micron
10	0.00	0.04	0.06
15	0.02	0.09	0.12
20	0.05	0.14	0.17
25	0.09	0.2	0.23
30	0.14	0.26	0.29
35	0.21	0.32	0.36
40	0.28	0.39	0.44



Rivulis F6400 Head Loss (bar)/Flow Rate (m³/h) 3"

Flow Rate (m ³ /h)	Head Loss (bar)		
	200 Micron	130 Micron	100 Micron
20	0.00	0.02	0.04
25	0.02	0.04	0.07
30	0.05	0.08	0.11
35	0.09	0.14	0.17
40	0.14	0.21	0.25
45	0.19	0.28	0.33
50	0.24	0.35	0.4



Product List

Rivulis F6400 Plastic Screen Filter (Semi Automatic)								
Product Description	Maximum Pressure (bar)	Body Style	Inlet/Outlet Size (inch) (mm)		Connection Type	Screen Rating (micron)	Max Flow Rate (m ³ /h)	Product Number
F6400 50 mm (2") 100 mic	10	In Line	2"	50	BSP	100	25	101047720
F6400 50 mm (2") 130 mic			2"	50		130	25	101047722
F6400 50 mm (2") 200 mic			2"	50		200	25	101047723
F6400 80 mm (3") 100 mic			3"	75	BSP (universal flange kit available)	100	40	101047727
F6400 80 mm (3") 130 mic			3"	75		130	40	101047728
F6400 80 mm (3") 200 mic			3"	75		200	40	101047729





F6400



Case study outcomes are for information purposes only and actual results may vary. This literature has been compiled for worldwide circulation and the descriptions, photos, and information are for general purpose use only. Please consult with an irrigation specialist and technical specifications for proper use of Rivulis products. Because some products are not available in all regions, please contact your local dealer for details. Rivulis reserves the right to change specifications and the design of all products without notice. Every effort has been used to ensure that product information, including data sheets, schematics, manuals and brochures are correct. However information should be verified before making any decisions based on this information.