

F1000



Rivulis F1000 Hydrocyclone Sand Separator Filter

- Helps prevent sand from entering your irrigation system and causing damage
- F1000 is a pre-filtration component used to remove sand prior to primary filtration

Product Information

Technical Data	
Minimum working pressure	2.0 bar
Maximum working pressure	8.0 bar
Maximum pressure	10.0 bar

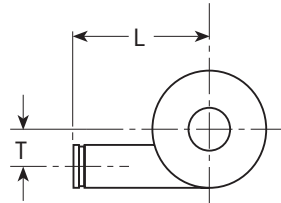
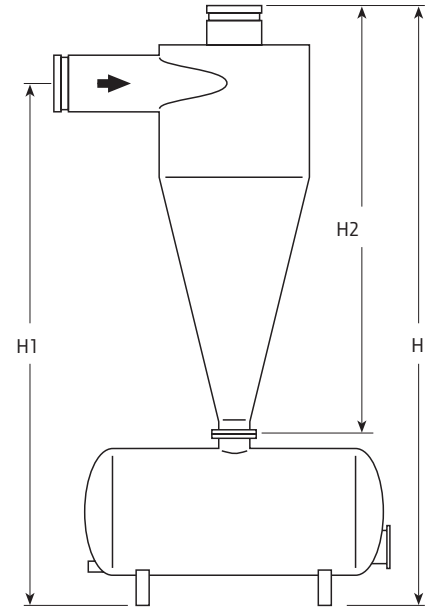


Inlet / Outlet Diameter		Underflow Chamber	Recommended Flow Rate
inch	mm		
1½	40	10	9.3 – 13.2
2	50	10	12.4 – 17.5
3	80	10	25.9 – 36.6
4 in/3 out	100 in/80 out	60	37.2 – 52.7
4	100	120	61.3 – 86.8
6	150	220	117.8 – 166.5
6 long	150 long	220	169.8 – 240.1
8	200	320	265.6 – 375.7



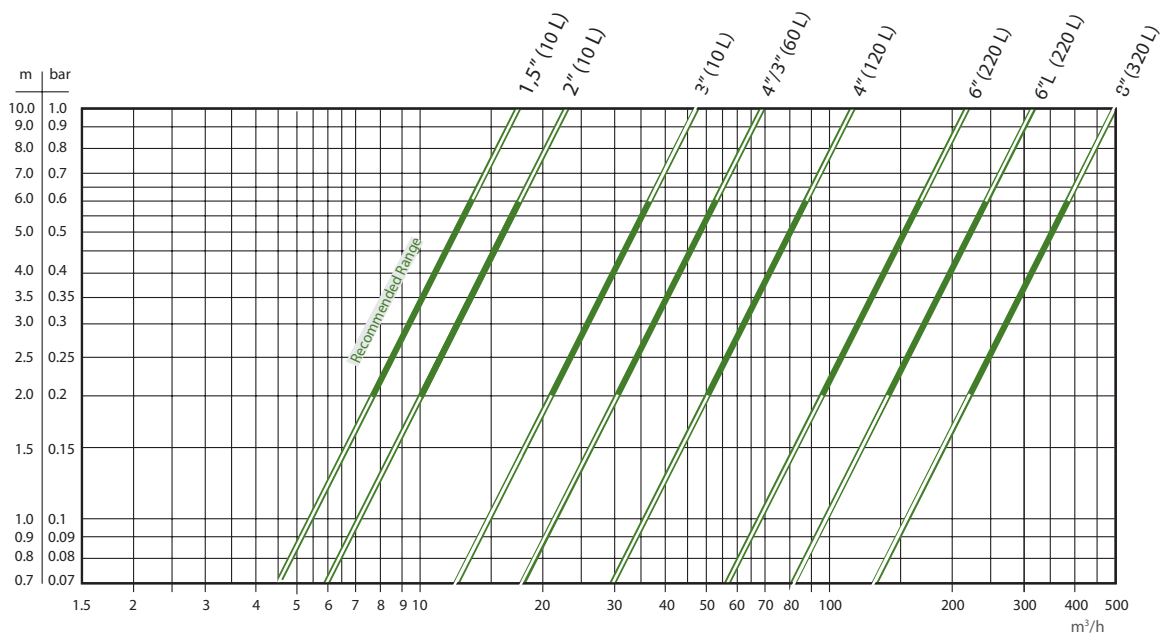
Product Dimensions

Inlet / Outlet - B		D	H	H1	H2	L	T	Weight
inch	mm	mm	mm	mm	mm	mm	mm	kg
1.5	40	150	630	490	425	240	61	19
2	50	200	740	575	530	295	80	20
3	80	200	830	660	625	300	65	27
4 in / 3 out	100 / 80	300	1330	1130	725	500	105	66
4	100	400	1720	1480	970	600	145	125
6	150	510	1900	1610	1150	600	170	172
6 long	150 long	610	2160	1860	1405	600	220	205
8	200	760	2830	2360	1925	700	265	365



Head Loss Chart

Recommended head loss of 0.3 – 0.6 bar



Product List

Rivulis F1000 Hydrocyclone Sand Separator			
Product Description	Inlet / Outlet Diameter		Underflow Chamber
	inch	mm	l
F1000 40 mm (1½) VIC with 10 Liter Underflow Chamber	1½	40	10
F1000 50 mm (2") BSP with 10 Liter Underflow Chamber	2	50	10
F1000 80 mm (3") BSTD with 10 Liter Underflow Chamber	3	80	10
F1000 100 x 80 mm (4" x 3") BSTD with 60 Liter Underflow Chamber	4 in / 3 out	100 in / 80 out	60
F1000 100 mm (4") BSTD with 120 Liter Underflow Chamber	4	100	120
F1000 150 mm (6") BSTD with 220 Liter Underflow Chamber	6	150	220
F1000 150 mm (6") long BSTD with 220 Liter Underflow Chamber	6	150	220
F1000 200 mm (8") BSTD with 320 Liter Underflow Chamber	8	200	320



Case study outcomes are for information purposes only and actual results may vary. This literature has been compiled for worldwide circulation and the descriptions, photos, and information are for general purpose use only. Please consult with an irrigation specialist and technical specifications for proper use of Rivulis products. Because some products are not available in all regions, please contact your local dealer for details. Rivulis reserves the right to change specifications and the design of all products without notice. Every effort has been used to ensure that product information, including data sheets, schematics, manuals and brochures are correct. However information should be verified before making any decisions based on this information.