



DOSATRON®

2.5 m³/h

WATER POWERED DOSING TECHNOLOGY

D 25 RANGE



SPECIFICATIONS

- Injection Range: **0.07 – 10 %**
[1 : 1500 - 1 : 10]
- Water flow range*: **10 l/h - 2.5 m³/h****
[0.16 l/mn - 41.66 l/mn]
[1/3 US Pint/min - 11 US GPM]
- Operating pressure: **0.3 - 6 bar****
[4.3 PSI - 85 PSI]
- Concentrated additive injection: **0.007 - 200 l/h**
[0.004 US Fl oz/min - 0.88 US GPM]

*For other fluids than water, please contact us
**D 25 RE 10: see on the back

A unique technology associating all dosing functions

Dosing Technique:

Non-electric proportional

Energy Source:

Water flow and pressure

Integrated functions:

- **Metering:** volumetric hydraulic motor
- **Injecting:** continuous proportional injection of liquid or soluble concentrate
- **Regulating:** proportionality servo-controlled by the water flow
- **Mixing:** integrated mixing

Package contents:

- 1 Dosatron, 1 wall bracket,
- 1 Suction tube 175 cm [69"],
- 1 Owner's manual



D25RES • 2.5 m³/h - 1-5 %

Dosage réglable de 1 à 5 % (1/100 à 1/20)

Débit réglable de 10 l/h à 2.5 m³/h (0.16 l/mn à 41.66 l/mn)

Pression de fonctionnement 0.3 à 6 bar (4.3 à 85 PSI)

Débit d'injection du produit concentré: 0.1 l/h à 120 l/h

Température maximale: 40°C

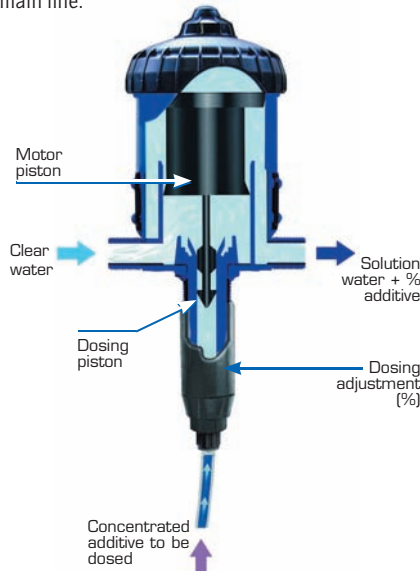
LE FABRICANT n'assume aucune responsabilité en cas d'altération non contrôlée au moment d'installation.

DOSATRON INTERNATIONAL S.P.A.
33070 TREVISO (BORZACANE VENEZIA)
Tel: +39 0423 57 97 11 11 - Fax: +39 0423 57 97 11 20
E-mail: info@dosatron.com - http://www.dosatron.com

D 25 RANGE

Operating principle

Installed directly in the water supply line, the Dosatron operates by using the flow of water as the power source. The water activates the Dosatron, which takes up the required percentage of concentrate directly from the container and injects it into the water. Inside the Dosatron, the concentrate is mixed with the water, and the water pressure forces the solution downstream. The dose of concentrate will be directly proportional to the volume of water entering the Dosatron, regardless of variations in flow or pressure, which may occur in the main line.



Specifications

General	
- Maximum operating water temperature	40° C [104° F]
- Minimum operating water temperature	5° C [41° F]
- Dosing rate	i.e. Adjustment at 1 % = 1 : 100 = 1 V concentrate + 100 V water
- Average dosing accuracy	+/- 5 % (Charts on demand)
- Repeatability	+/- 3 % (API standard)
- Pressure loss	0.3 - 1.9 Bar [4.3 - 27 PSI] depending on models and operating conditions (Charts on demand)
Other integrated functions	
- Internal motor filter	no
- Inlet/Outlet	3/4" M : BSP- NPT Ø 20 x 27 mm
- Built-in by-pass	option
- Built-in airbleeder	yes
- Built-in anti-siphon device	no
Motor	
- Motor	differential hydraulic piston
- Motor capacity	0.45 L [0.118 US gallons] (1 cycle, for every 2 clics) integrated
- Mixing chamber	integrated
Dosage	
- Injection	internal at the inlet
- Dosing plunger	simple effect, injection on the upstream spring-loaded cone
- Injection check valve	
Suction	
- Self-priming	yes
- Maximum viscosity of concentrate	400 cPs at 20°C [68°F] - V kit recommended > 200 cPs
- Maximum vertical or horizontal suction of the concentrate	4 m [13ft]
- Strainer	yes - foot strainer with weight

Standard material

Housing: polyacetal, HT
 Motor Piston: polypropylene, polyamide, stainless, steel, VF or HT, polyacetal
 Injection area: polypropylene, polyethylene, hastelloy (check valve spring)
 Injection hose: PVC

Available options

(■ : Option ● : Standard ★ : not available or not necessary for this model)

Optimized compatibility

- AF: Recommended seals for alkaline concentrate
- VF: Recommended seals for acid, oil, odour- or pest control concentrates
- PVDF: Housing
- H: Hastelloy plunger rod
- IE: External injection
- V: Kit for viscous concentrate
- Injection hose: Special material hose and foot strainer available



PVDF housing + IE

Proportional injection externally adjustable



The injection rate is set by lining up the top of the adjusting sleeve with the desired ratio on the scale. The amount of injected concentrate is proportional to the amount of water coming into the Dosatron: i.e. Adjustment at 1% = 1 : 100 = 1



Volume of concentrate + 100 Volumes of water.

Markets

Environment - Hygiene - Water treatment - Vehicle wash - Metal processing - Food processing - Graphic Arts - Horticulture - Livestock...

Principal applications

Medication - Disinfecting - Cleaning - Fertigation - Phytosanitation - Supplementation - Lubrication - PH/TH Correction - Sanitation - Flocculation - Vehicle wash...

Installation

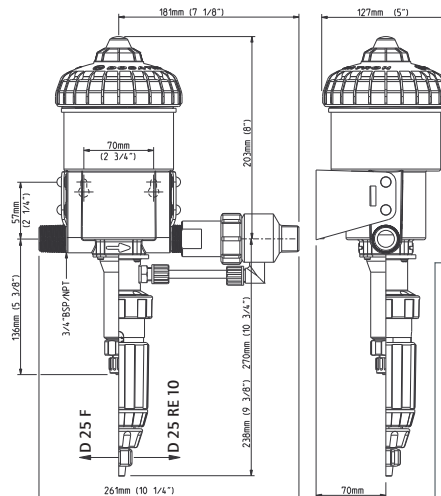
Regulations: Refer to local water regulations, prior to installing your Dosatron.

To optimize your Dosatron, we advise to:

- Install a filter (300 mesh [60 microns]) upstream, depending on your water quality.
 - Change the dosing seals at least once a year.
 - Rinse as often as possible with clear water.
 - Turn off the water supply and allow the pressure to drop to zero before adjusting the injection rate.
 - Install necessary protections for excess flow, excess pressure and water hammer (anti-hammer flow/pressure device).
 - Install your Dosatron on a total by-pass line.
- For all other installation advice, please consult us.

Size

- Package size: 52 x 16.8 x 17.5 cm [20 1/2" x 6 5/8" x 6 7/8"]
- Package weight: 1.7 kg [~3.7 lbs]



Optimized installation

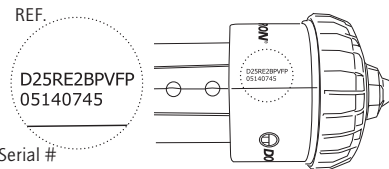


- BP : integrated by-pass
- ★ Other fittings
- Strap
- Other: please contact us

IE

These options allow adapting your Dosatron to your needs. Contact our technical service to help determine what option you may need.

Each Dosatron unit is factory tested and registered.



CUSTOMER SERVICE - SERVICE CLIENTÈLE

The 2.5 m³/h range

REF.	DOSAGE	PRESSURE
FIXED		
D 25 F	0.8 %	0.3 - 6 bar
D 25 F 1	1 %	0.3 - 6 bar
D 25 F 02	0.2 %	0.3 - 6 bar
D 25 F 2	2 %	0.3 - 6 bar
EXTERNAL ADJUSTMENT		
D 25 RE 1500	0.07 - 0.2 %	0.3 - 6 bar
D 25 RE 09	0.1 - 0.9 %	0.3 - 6 bar
D 25 RE 2/IE	0.2 - 2 %	0.3 - 6 bar
D 25 RE 4	0.5 - 4 %	0.3 - 6 bar
D 25 RE 5/IE	1 - 5 %	0.3 - 6 bar
D 25 RE 10/IE*	3 - 10 %	0.3 - 4 bar

*2m³/h limit

Other product lines available to treat water flows upto 0.7 m³/h, 1.5 m³/h, 4.5 m³/h, 8 m³/h, 20 m³/h, 30 m³/h, 60 m³/h... For special models, accessories and particular systems: please consult us.

DOSATRON INTERNATIONAL S.A.S.

Rue Pascal - B.P. 6 - 33370 TRESSSES (BORDEAUX) - FRANCE
 Tel. 33 (0)5 57 97 11 11 - Fax. 33 (0)5 57 97 11 29 / 33 (0)5 57 97 10 85
 e.mail : info@dosatron.com - http://www.dosatron.com