

9,500LTR CORRUGATED POLY WATER TANK

INSTALLATION:

TANKS ARE TO BE INSTALLED ON A WELL COMPACTED, LEVELLED EARTH PAD, FREE FROM SHARP OR LOCALISED HARD STONES/OBJECTS THAT COULD DAMAGE THE TANK BASE. THE ROOF OF THIS TANK IS INTENDED ONLY TO COVER AND IS NOT TO BE TRAFFICABLE ROOF.

MATERIAL:

LLDPE MATERIAL DESIGNED SPECIFICALLY FOR ROTATIONAL MOULDING APPLICATIONS DELIVERING A HIGH ESCR, CHEMICAL RESISTANCE, STIFFNESS AND TOUGHNESS WHICH IS UV STABILISED TO PROVIDE PROLONGED OUTDOOR PROTECTION IN HARSH AUSTRALIAN CONDITIONS.

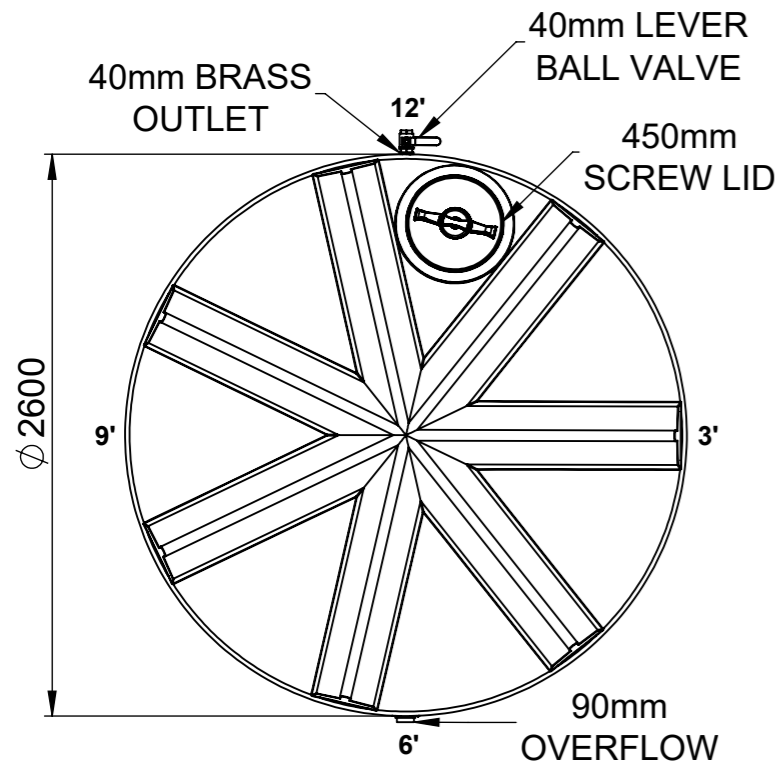
STANDARDS:

ALL TANKS BY COERCO ARE MANUFACTURED IN GUIDANCE WITH AUST STANDARD AS4766 AND ARE STRUCTURALLY ENGINEERED TO CONFORM TO CYCLONIC AREAS AND STRESS ANALYSIS TESTING REQUIREMENTS.

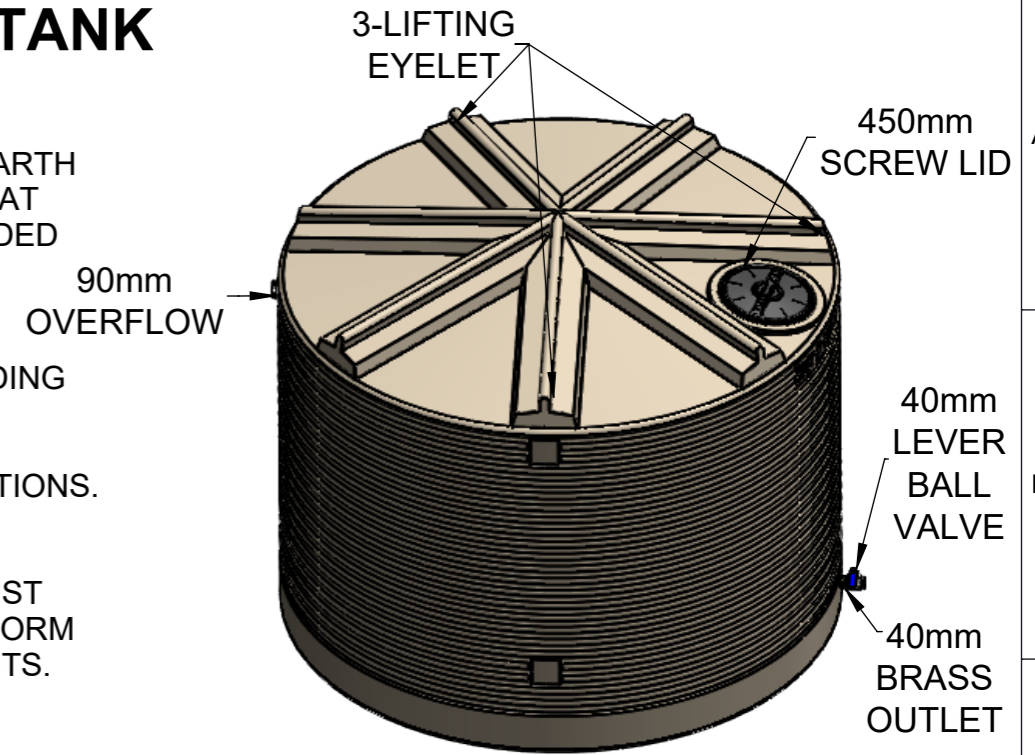
DIMENSIONS:

DIMENSIONS MAY VARY SLIGHTLY DUE TO THE SHRINKAGE NATURE OF POLYETHYLENE.

NOTE: THIS DRAWING DETAILS COERCO'S STANDARD WATER TANK FITOUT

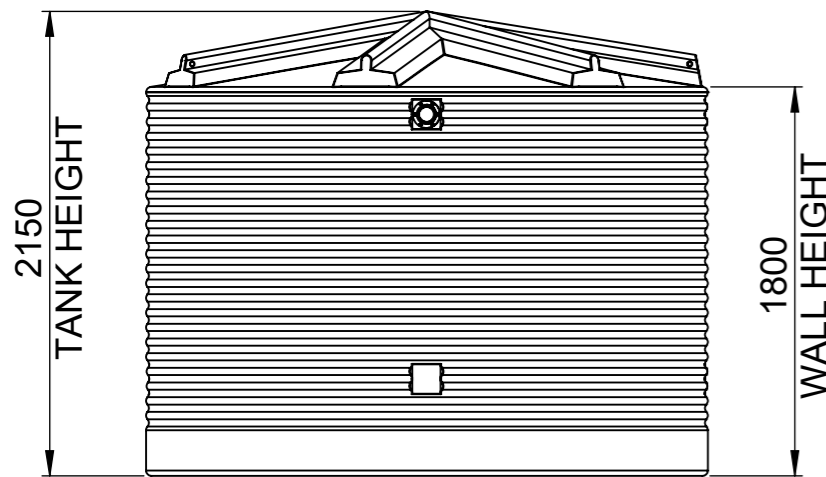


TOP VIEW

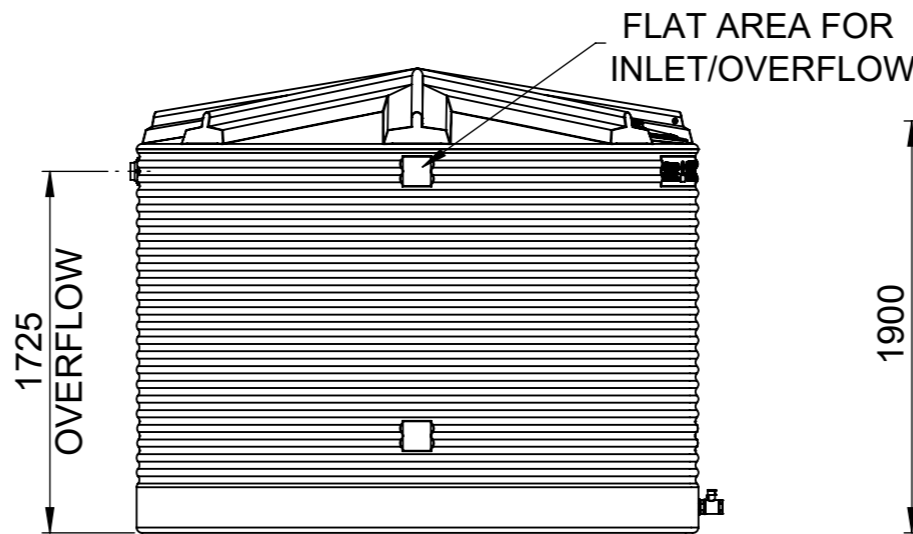


PERSPECTIVE VIEW

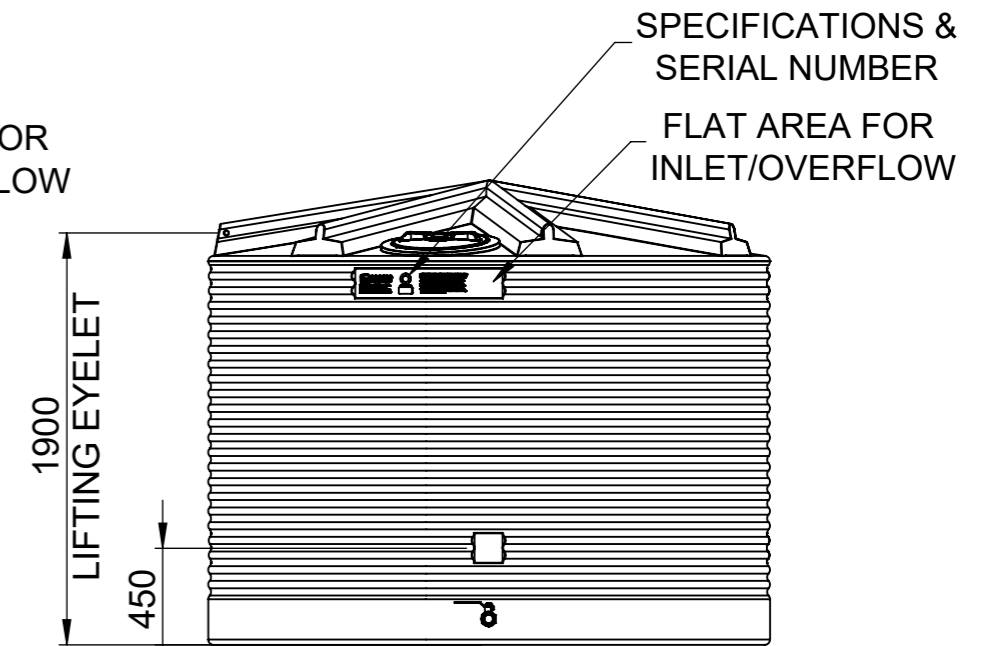
	CERTIFICATION	RSA REF: 19-0081
	<small>The structure shown on this drawing has been approved by a Chartered Professional Engineer in accordance with the structural requirements of the Building Code of Australia.</small>	
	Signed: <i>Robin Salter</i>	Date: 5/03/2019
	<small>Robin Salter BEng(Hons) FIEAust CPEng NER RPEQ RSA Pty Ltd Unit 6, 9 Playle Street, Myaree WA 6154 T: +61 8 9317 3331 E: info@rsaeng.com.au</small>	



6 O'CLOCK VIEW



3 O'CLOCK VIEW



12 O'CLOCK VIEW



DATE	20/02/2019	MATERIAL	LOW DENSITY POLYETHYLENE
PRODUCT	9,500LTR POLY WATER STORAGE TANK	SURFACE FINISH	POLISHED
PRODUCT CODE	RT9500	WALL THICKNESS	
DRAWING No	C-RT9500-001	SCALE	NOT TO SCALE

REV	BY	DATE	DESCRIPTION
0	GT	20/02/2019	ORIGINAL CAD DRAWING ISSUED

SHEET 1 OF 1
CHKD
APVD
SHEET SIZE A3

© THIS DRAWING IS THE COPYRIGHT OF COERCO. IT CANNOT BE COPIED IN PART OR FULL WITHOUT THE WRITTEN PERMISSION OF COERCO