

# 4,500LTR SQUAT CORRUGATED POLY WATER TANK

## INSTALLATION:

TANKS ARE TO BE INSTALLED ON A WELL COMPACTED, LEVELLED EARTH PAD, FREE FROM SHARP OR LOCALISED HARD STONES/OBJECTS THAT COULD DAMAGE THE TANK BASE. THE ROOF OF THIS TANK IS INTENDED ONLY TO COVER AND IS NOT TO BE TRAFFICABLE ROOF.

## MATERIAL:

LLDPE MATERIAL DESIGNED SPECIFICALLY FOR ROTATIONAL MOULDING APPLICATIONS DELIVERING A HIGH ESCR, CHEMICAL RESISTANCE, STIFFNESS AND TOUGHNESS WHICH IS UV STABILISED TO PROVIDE PROLONGED OUTDOOR PROTECTION IN HARSH AUSTRALIAN CONDITIONS.

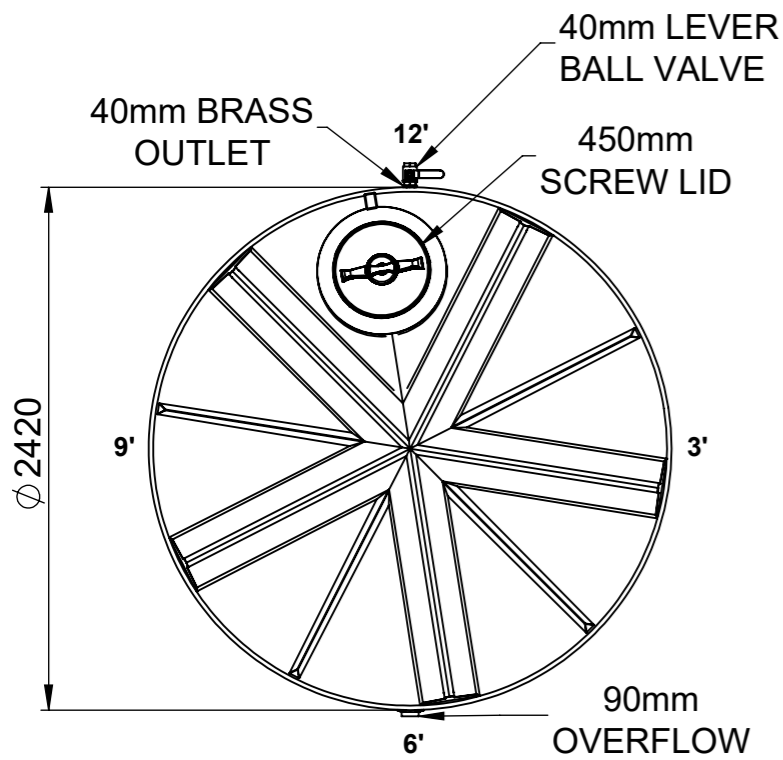
## STANDARDS:

ALL TANKS BY COERCO ARE MANUFACTURED IN GUIDANCE WITH AUST STANDARD AS4766 AND ARE STRUCTURALLY ENGINEERED TO CONFORM TO CYCLONIC AREAS AND STRESS ANALYSIS TESTING REQUIREMENTS.

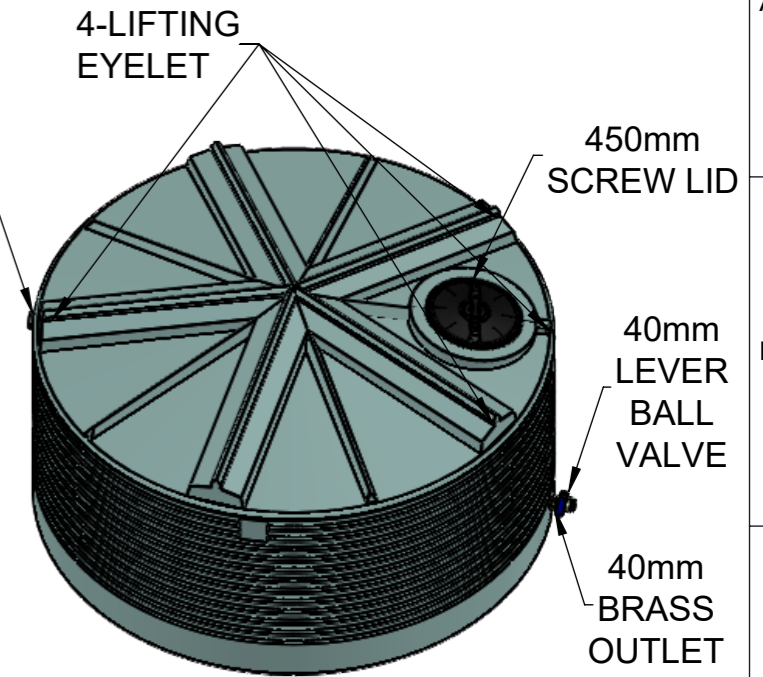
## DIMENSIONS:

DIMENSIONS MAY VARY SLIGHTLY DUE TO THE SHRINKAGE NATURE OF POLYETHYLENE.

**NOTE:** THIS DRAWING DETAILS COERCO'S STANDARD WATER TANK FITOUT.

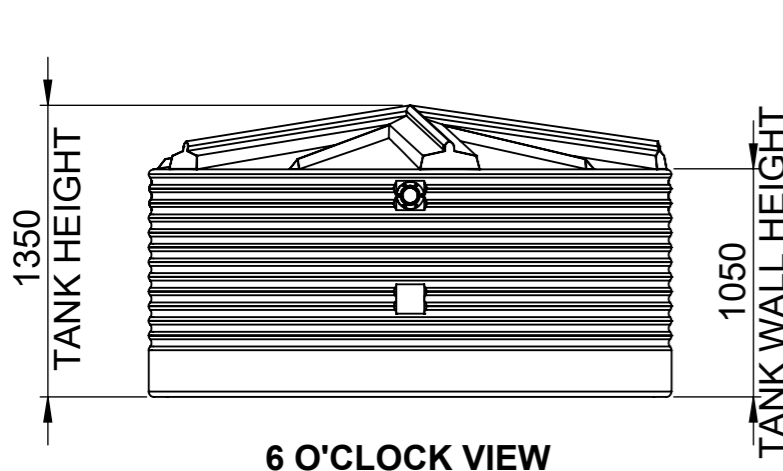


TOP VIEW

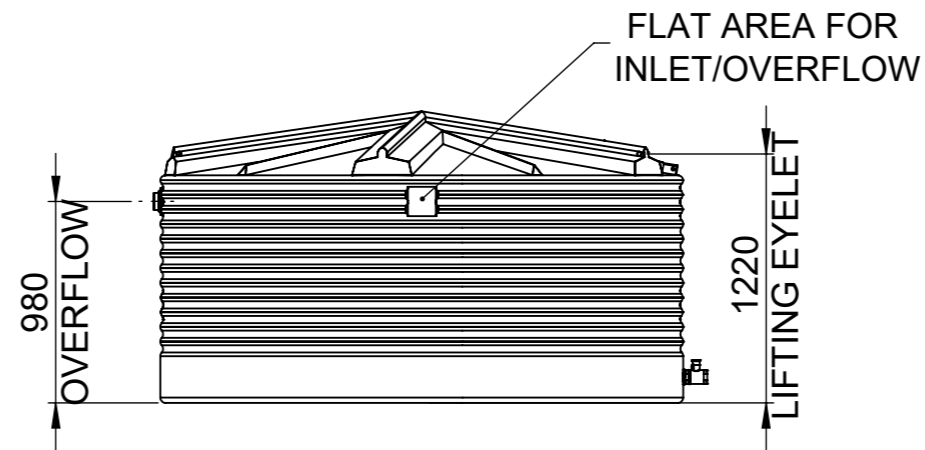


PERSPECTIVE VIEW

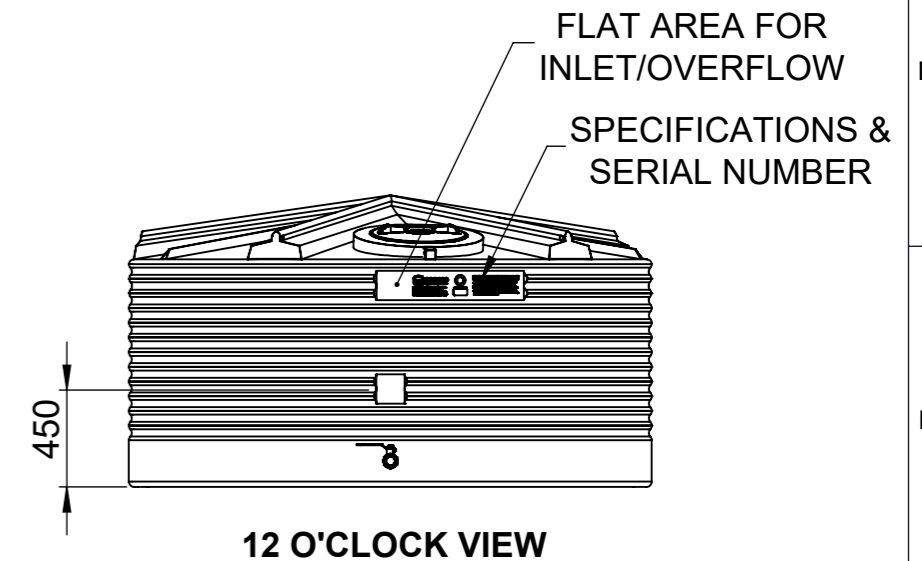
	CERTIFICATION	RSA REF: 19-0081
	<small>The structure shown on this drawing has been approved by a Chartered Professional Engineer in accordance with the structural requirements of the Building Code of Australia.</small>	
	Signed:  Date: 5/03/2019	
	Robin Salter BEng(Hons) FIEAust CPEng NER RPEQ RSA Pty Ltd   Unit 6, 9 Playle Street, Myaree WA 6154 T: +61 08 9317 3331   E: info@rsaeng.com.au	



6 O'CLOCK VIEW



3 O'CLOCK VIEW



12 O'CLOCK VIEW



DATE 19/02/2019  
 PRODUCT 4,500LTR SQUAT POLY WATER STORAGE TANK  
 PRODUCT CODE RT4500S  
 DRAWING No C-RT4500S-001

MATERIAL LOW DENSITY POLYETHYLENE  
 SURFACE FINISH POLISHED  
 WALL THICKNESS  
 SCALE NOT TO SCALE

REV	BY	DATE	DESCRIPTION
0	GT	19/02/2019	ORIGINAL CAD DRAWING ISSUED

SHEET 1 OF 1  
 CHKD  
 APVD  
 SHEET SIZE **A3**

© THIS DRAWING IS THE COPYRIGHT OF COERCO. IT CANNOT BE COPIED IN PART OR FULL WITHOUT THE WRITTEN PERMISSION OF COERCO