

# 1,000LTR CORRUGATED POLY WATER TANK

## INSTALLATION:

TANKS ARE TO BE INSTALLED ON A WELL COMPACTED, LEVELLED EARTH PAD, FREE FROM SHARP OR LOCALISED HARD STONES/OBJECTS THAT COULD DAMAGE THE TANK BASE. THE ROOF OF THIS TANK IS INTENDED ONLY TO COVER AND IS NOT TO BE TRAFFICABLE ROOF.

## MATERIAL:

LLDPE MATERIAL DESIGNED SPECIFICALLY FOR ROTATIONAL MOULDING APPLICATIONS DELIVERING A HIGH ESCR, CHEMICAL RESISTANCE, STIFFNESS AND TOUGHNESS WHICH IS UV STABILISED TO PROVIDE PROLONGED OUTDOOR PROTECTION IN HARSH AUSTRALIAN CONDITIONS.

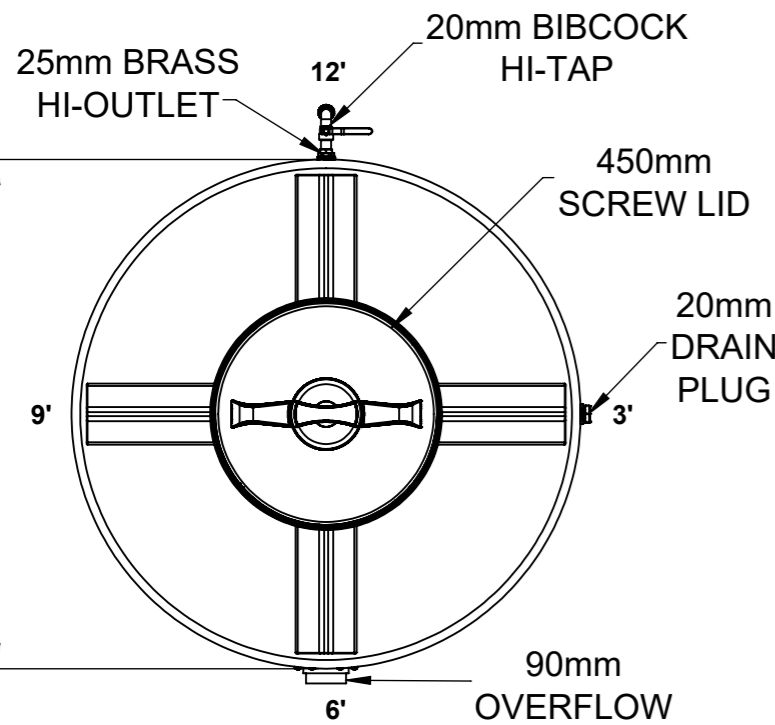
## STANDARDS:

ALL TANKS BY COERCO ARE MANUFACTURED IN GUIDANCE WITH AUST STANDARD AS4766 AND ARE STRUCTURALLY ENGINEERED TO CONFORM TO CYCLONIC AREAS AND STRESS ANALYSIS TESTING REQUIREMENTS.

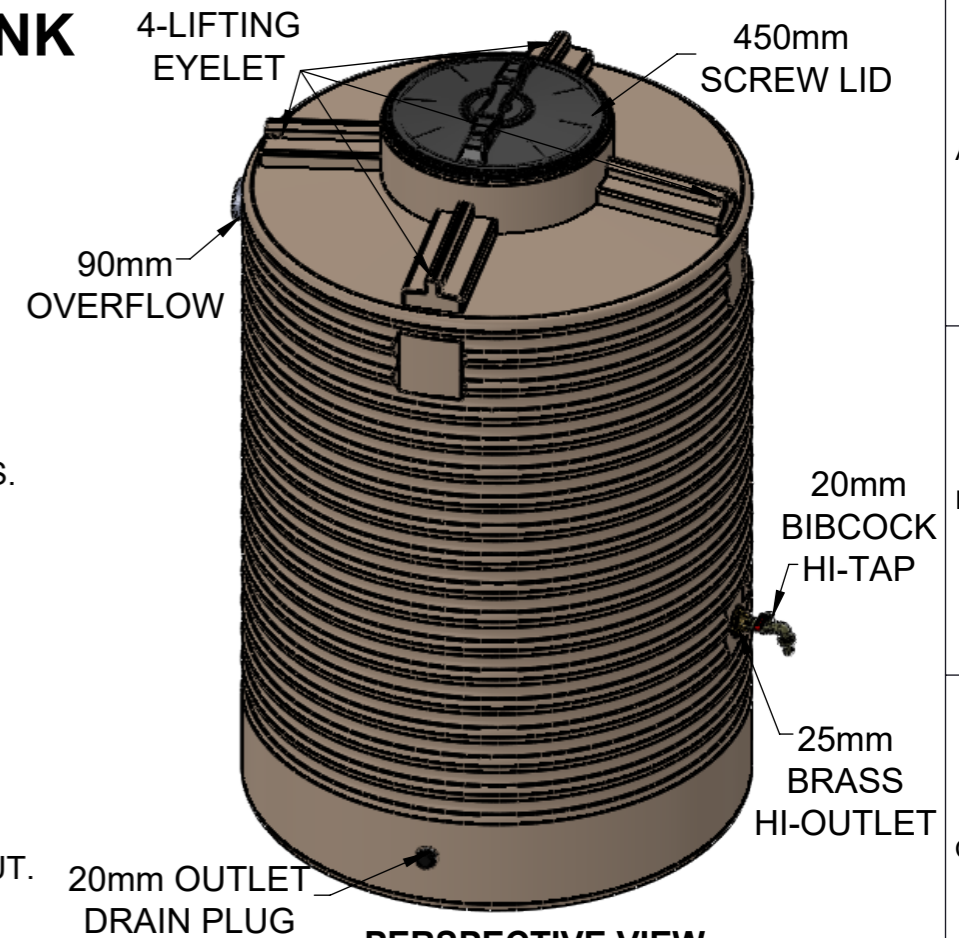
## DIMENSIONS:

DIMENSIONS MAY VARY SLIGHTLY DUE TO THE SHRINKAGE NATURE OF POLYETHYLENE.

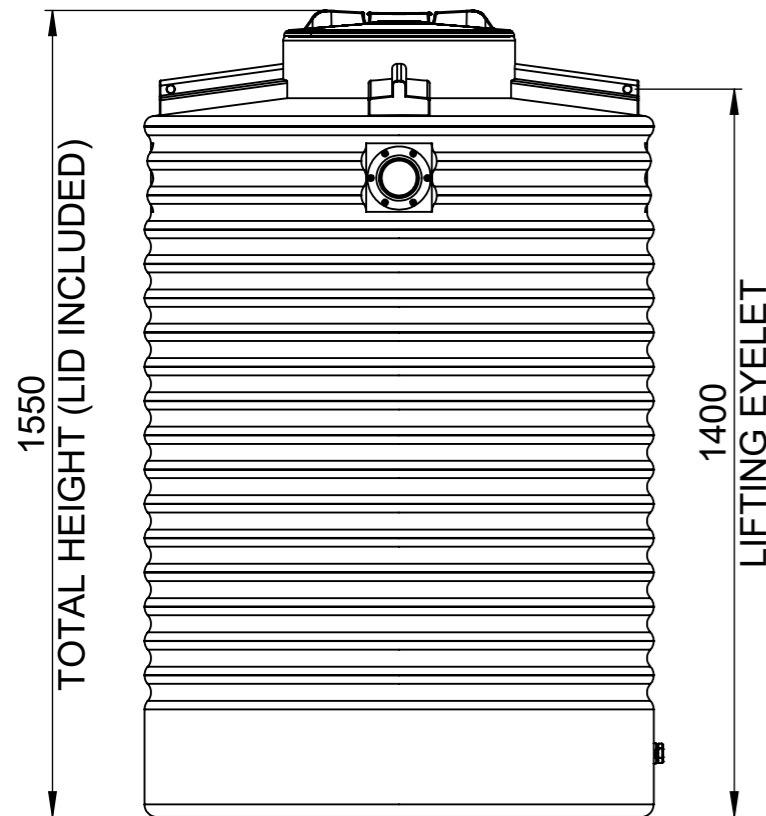
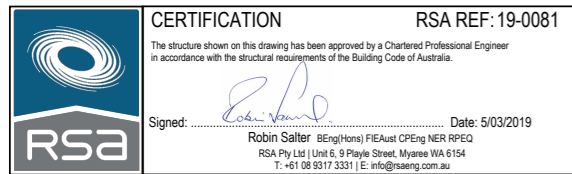
**NOTE:** THIS DRAWING DETAILS COERCO'S STANDARD WATER TANK FITOUT.



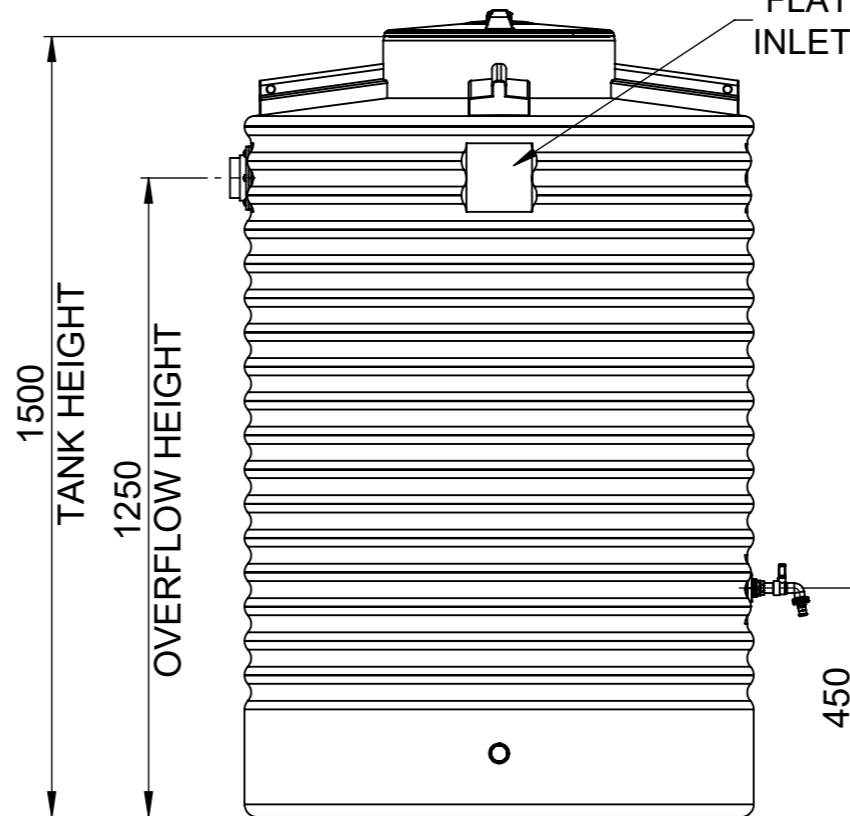
TOP VIEW



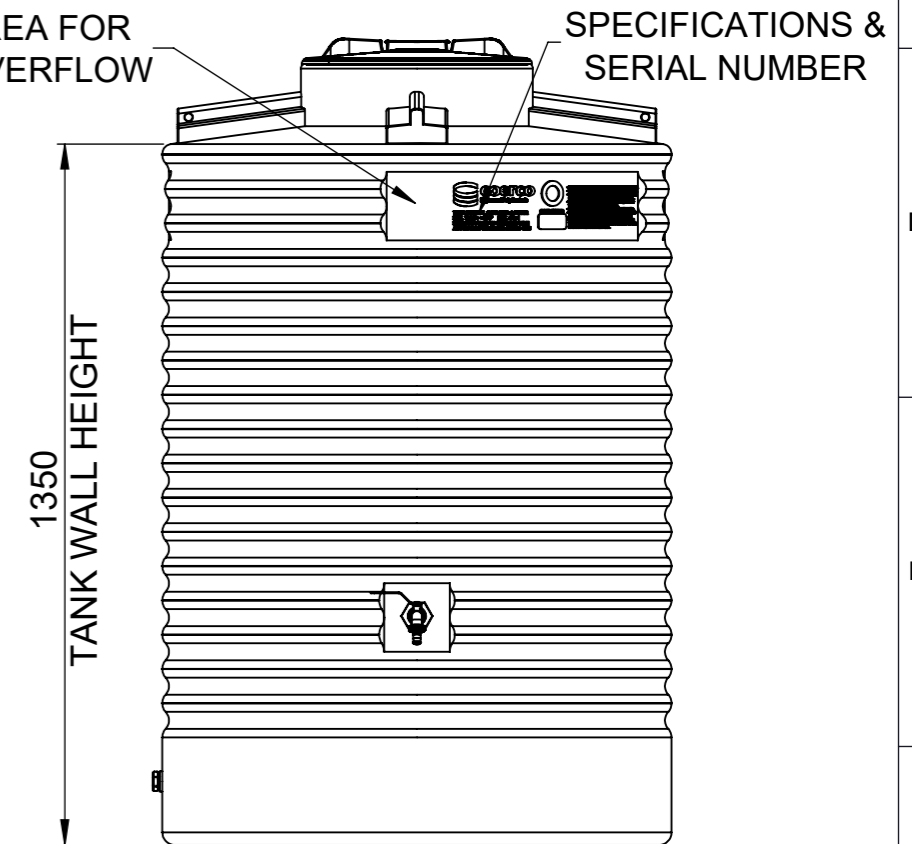
PERSPECTIVE VIEW



6 O'CLOCK VIEW



3 O'CLOCK VIEW



12 O'CLOCK VIEW



DATE	15/02/2019	MATERIAL	LOW DENSITY POLYETHYLENE
PRODUCT	1,000LTR CORRUGATED POLY WATER TANK	SURFACE FINISH	POLISHED
PRODUCT CODE	RT1000	WALL THICKNESS	
DRAWING No	C-RT1000-001	SCALE	NOT TO SCALE

REV	BY	DATE	DESCRIPTION

SHEET 1 OF 1
CHKD
APVD
SHEET SIZE <b>A3</b>

© THIS DRAWING IS THE COPYRIGHT OF COERCO. IT CANNOT BE COPIED IN PART OR FULL WITHOUT THE WRITTEN PERMISSION OF COERCO