

## You can rest easy when you install a Philmac Ball Valve

### You can rest easy when you install a Philmac Ball Valve

- No flow restriction
- Australian made
- Every valve is bi-directionally pressure tested
- Install in any direction
- Potable water approved
- Frost resistant
- Strong and lightweight
- UV stabilised materials
- 20 year warranty



### Philmac Pty Ltd

ABN: 17 007 873 047  
47-59 Deeds Road  
North Plympton, South Australia  
AUSTRALIA 5037

**CUSTOMER SERVICE**  
Ph: 1800 755 899

[philmac.com.au](http://philmac.com.au)

# Philmac

The connection you can trust.

PH11326-04/23



## The Ball Valve you can trust for years of reliable service.

The Philmac blue-handled ball valve has been servicing the Australian market for over 30 years.

With a distinctive blue easy grip handle, the valve is recognised in the market as the industry standard, providing users with the confidence of a strong, reliable and robust product.

Proudly made in Australia, the Philmac blue-handled ball valve is based on a simple on/off action and is quick and easy to install, allowing the user full control of water distribution.

# You can't beat the original

Water is precious.  
Put your trust in the original blue handled ball valve.

# Philmac

The connection you can trust.





## Benefits

### Easy Action:

The handle is not only easy to operate but has a positive on/off action through 90°. It is ergonomically designed to enable easy gripping.

### Robust Construction:

Built to withstand pressures up to 1600 kPa and provide years of reliable operation.

### Frost Resistant:

Proven performance in frost conditions.

### Install in any Direction:

Philmac ball valves can work in any direction and at any angle.

### Visual Indicator:

When in the closed position the blue handle is at 90° to the body and when in the open position it is in line with the body clearly indicating if the valve is open or closed.

### Quality Materials:

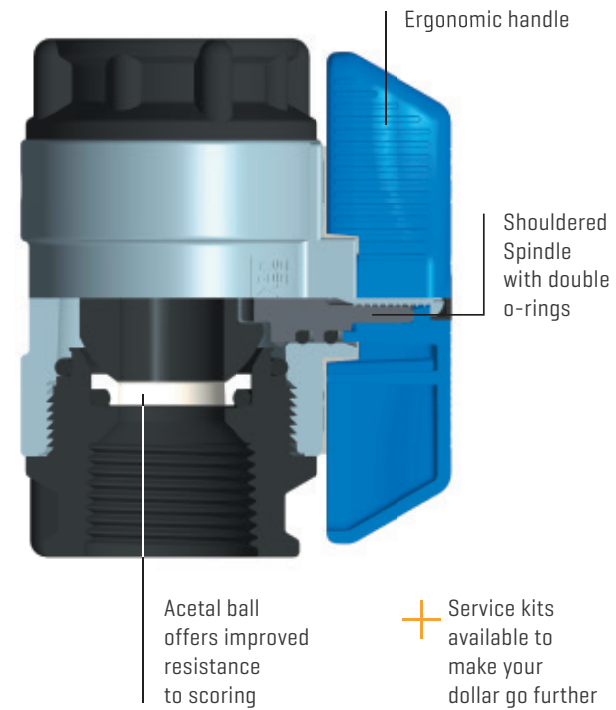
High quality injection moulded plastic bodies and components plus NBR O-rings and stainless steel screws means years of reliable operation.

### Approvals:

All blue handled ball valves carry StandardsMark and WaterMark approval.



## Features



## EASY INSTALLATION



Apply PTFE tape or approved sealant to the male thread. Sufficient tape needs to be applied to ensure a watertight seal.



Screw on to a male or female thread by hand until firm.



Using a pipe wrench or multigrips on the end caps only, further screw the ball valve until tight. Where necessary, ensure the thread is held stationary. Do not use pipe wrench or multigrips on the body of the valve.

