

5022SD PC (PART CIRCLE)



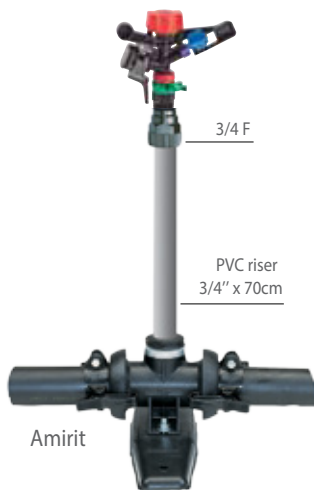
Overhead sprinklers

Plastic impact sprinkler, 1/2" male. Mounted on riser or Irristand 52

- Most efficient irrigation of field boundaries with best uniformity
- Patent pending interchangeable PC kit.
- PC unit snaps into rear nozzle place for easy assembling and dismantling.

Applications: irrigation and fertigation of edges in field crops, such as potatoes, carrots, and flowers

- Unique and innovative modular PC mechanism.
- Easily change full circle sprinkler into part circle sprinkler and vice versa.
- Unique hammer combined with SD (Super Diffuser) plate designed for uniform distribution even at low operation pressure (1.5 bar).
- Spacing up to 14 m.
- Combining with full-circle sprinkler ensures that 100% of the water remains within the irrigation area.
- Wide range of flow rates makes it the ideal partner for every full-circle sprinkler in any crop or field.
- High-impact, heavy-duty plastic materials provide resistance to corrosion, chemicals and UV radiation.
- With PC sprinkler on field boundaries, use nozzle size smaller than nozzles of the full circle sprinklers.



5022SD PC PERFORMANCE TABLE

Model	Nozzle color (mm)	P (bar)	Q (m ³ /h)	D (m)
5022 SD-PC Red sleeve	2.5 Purple	1.5	0.320	19.00
		2.0	0.375	20.00
		2.5	0.420	21.00
		3.0	0.460	21.50
		3.5	0.490	22.00
	2.8 Orange	4.0	0.525	22.00
		1.5	0.415	21.50
		2.0	0.475	22.00
		2.5	0.530	22.50
		3.0	0.580	23.00
3.0 Red	3.5	0.630	23.00	
	4.0	0.680	23.50	
	1.5	0.445	21.00	
	2.0	0.520	21.50	
	2.5	0.575	22.00	
	3.0	0.625	22.50	
	3.5	0.680	23.00	
	4.0	0.730	23.00	

* Performance table prepared under laboratory conditions

* For windy conditions use closer spacing