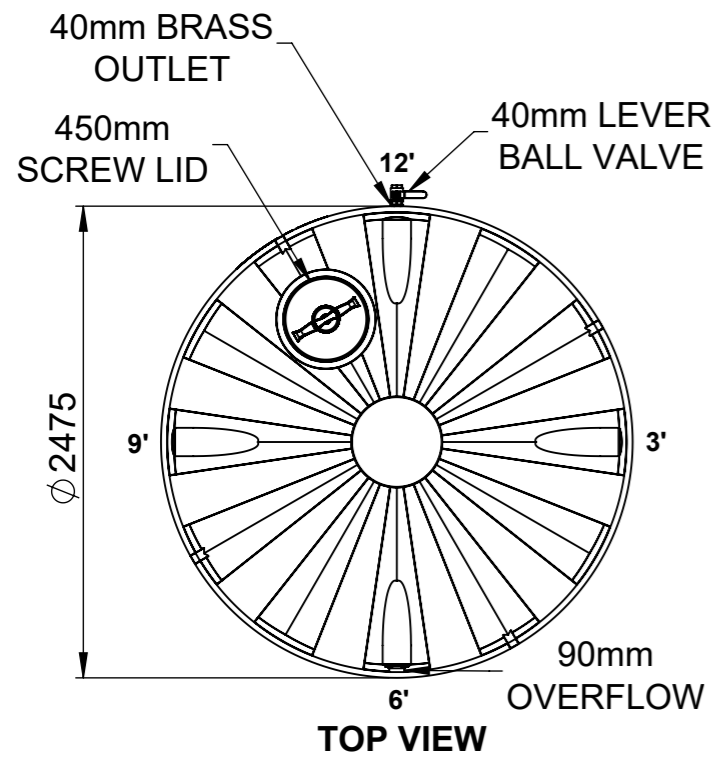


# 14,000LTR FLAT WALLED POLY WATER TANK



**INSTALLATION:**

TANKS ARE TO BE INSTALLED ON A WELL COMPACTED, LEVELLED EARTH PAD, FREE FROM SHARP OR LOCALISED HARD STONES/OBJECTS THAT COULD DAMAGE THE TANK BASE. THE ROOF OF THIS TANK IS INTENDED ONLY TO COVER AND IS NOT TO BE TRAFFICABLE ROOF.

**MATERIAL:**

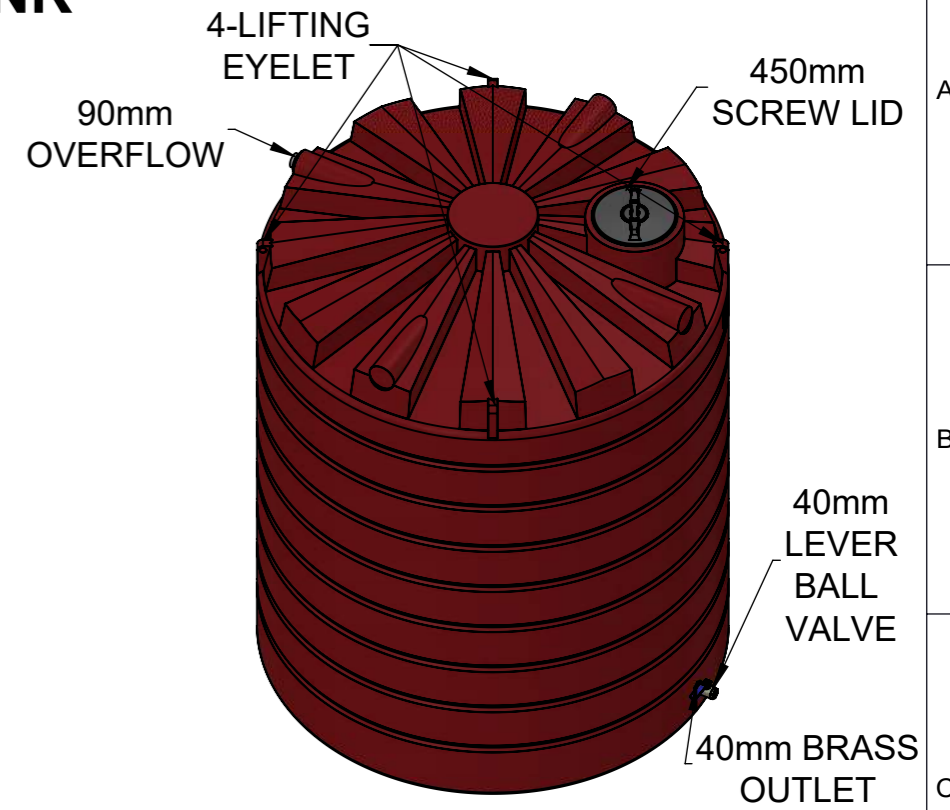
LLDPE MATERIAL DESIGNED SPECIFICALLY FOR ROTATIONAL MOULDING APPLICATIONS DELIVERING A HIGH ESCR, CHEMICAL RESISTANCE, STIFFNESS AND TOUGHNESS WHICH IS UV STABILISED TO PROVIDE PROLONGED OUTDOOR PROTECTION IN HARSH AUSTRALIAN CONDITIONS.

**STANDARDS:**

ALL TANKS BY COERCO ARE MANUFACTURED IN GUIDANCE WITH AUST STANDARD AS4766 AND ARE STRUCTURALLY ENGINEERED TO CONFORM TO CYCLONIC AREAS AND STRESS ANALYSIS TESTING REQUIREMENTS.

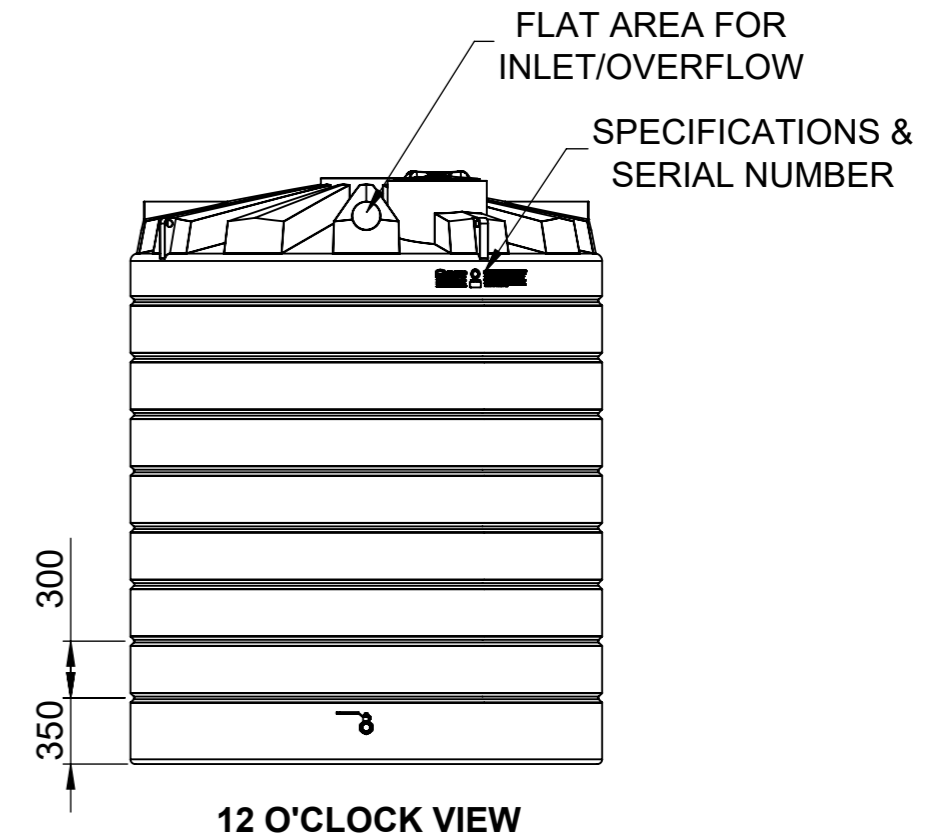
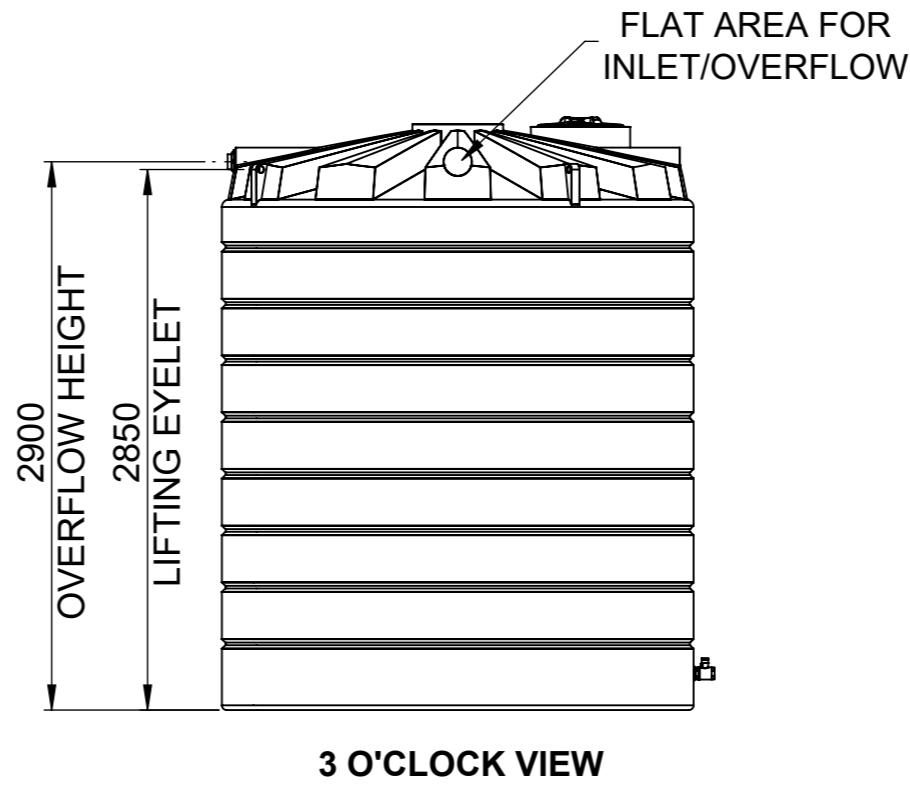
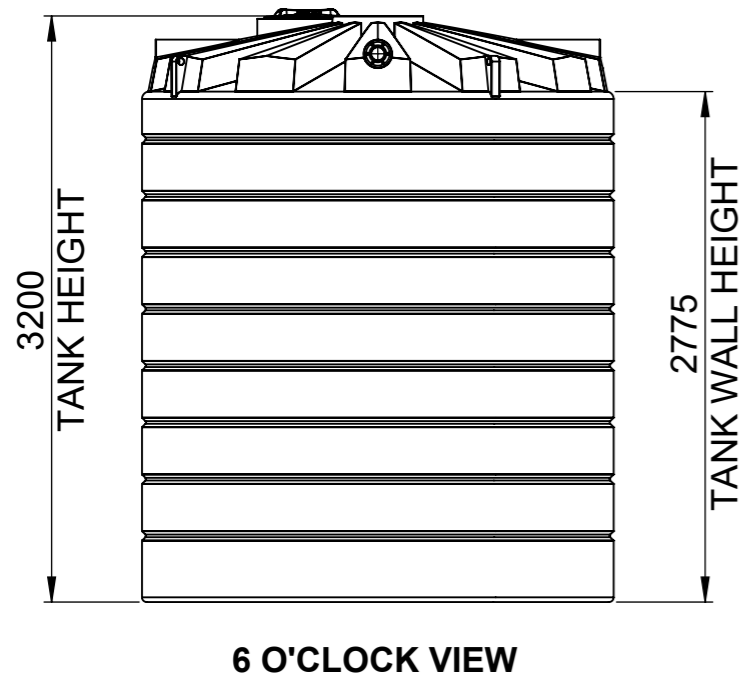
**DIMENSIONS:**

DIMENSIONS MAY VARY SLIGHTLY DUE TO THE SHRINKAGE NATURE OF POLYETHYLENE.



**NOTE:** THIS DRAWING DETAILS COERCO'S STANDARD WATER TANK FITOUT.

	<b>CERTIFICATION</b>	RSA REF: 19-0130
	The structure shown on this drawing has been approved by a Chartered Professional Engineer in accordance with the structural requirements of the Building Code of Australia.	
	Signed:	Date: 18/03/2019
	Robin Salter BEng(Hons) FIEAust CPEng NER RPEQ RSA Pty Ltd   Unit 6, 9 Playle Street, Myaree WA 6154 T: +61 08 9317 3331   E: info@rsaeng.com.au	



DATE	27/02/2019	MATERIAL	LOW DENSITY POLYETHYLENE
PRODUCT	14,000LTR FLAT WALLED POLY WATER TANK	SURFACE FINISH	POLISHED
PRODUCT CODE	JRR14000	WALL THICKNESS	
DRAWING No	C-JRR14000-001	SCALE	NOT TO SCALE

REV	BY	DATE	DESCRIPTION
0	GT	27/02/2019	ORIGINAL CAD DRAWING ISSUED

SHEET 1 OF 1
CHKD
APVD
SHEET SIZE <b>A3</b>

© THIS DRAWING IS THE COPYRIGHT OF COERCO. IT CANNOT BE COPIED IN PART OR FULL WITHOUT THE WRITTEN PERMISSION OF COERCO