



PRODUCT SPECIFICATION

FILTRATION

TAVLIT SCREEN FILTERS - 20MM & 25MM

Tavlit Screen Filters are used for protection in drip, spray and sprinkler watering systems. Filters are available in sizes from 20mm to 50mm.

FEATURES

- Unique: Swivel quick installation
- Interchangeable filtration elements:
Disc and Screen elements fit the same filter body
- High Flow, low pressure loss
- Easy maintenance
- UV Resistant
- BSP male or female thread

APPLICATIONS

- Water filtration for Agriculture, Turf, domestic and industrial application

SPECIFICATIONS

Maximum Flow - 20mm:	58lpm
Maximum Flow - 25mm:	85lpm
Max Recommended Operating Pressure:	800kPa
Filtration Range:	40 - 155 mesh
Filtration Screen:	Polyester/Stainless Steel
Gaskets:	EPDM
Body:	Polypropylene



MODELS	CODE
20mm x 120 mesh screen (Brown)	TF-20-120
20mm x 155 mesh screen (Green)	TF-20-155
20mm x 80 mesh screen (Light Blue)	TF-20-80
25mm x 120 mesh screen (Brown)	TF-25-120
25mm x 155 mesh screen (Green)	TF-25-155
25mm x 80 mesh screen (Light Blue)	TF-25-80
25mm x 40 mesh screen (Dark Blue)	TF-25-40

SPARE PARTS SCREEN ELEMENTS	CODE
20mm bsp female swivel inlet & outlet filter body	TF-20-BO
25mm bsp female swivel inlet & outlet filter body	TF-25-BO
40 mesh screen to suit 20mm & 25mm body	TFF-40
80 mesh screen to suit 20mm & 25mm body	TFF-80
120 mesh screen to suit 20mm & 25mm body	TFF-120
155 mesh screen to suit 20mm & 25mm body	TFF-155

FILTRATION_TAVLIT_TF2025_V1.05-20

www.hrproducts.com.au



PERTH

PH: 08 9484 6500

FAX: 08 9455 1680

hrsales@hrproducts.com.au

SYDNEY

PH: 02 9616 1300

FAX: 02 9725 5283

infonsw@hrproducts.com.au

MELBOURNE

PH: 03 8458 7400

FAX: 03 9457 7400

infovic@hrproducts.com.au

BRISBANE

PH: 07 3080 6200

FAX: 07 3806 0533

infoqld@hrproducts.com.au

ADELAIDE

PH: 08 8408 7200

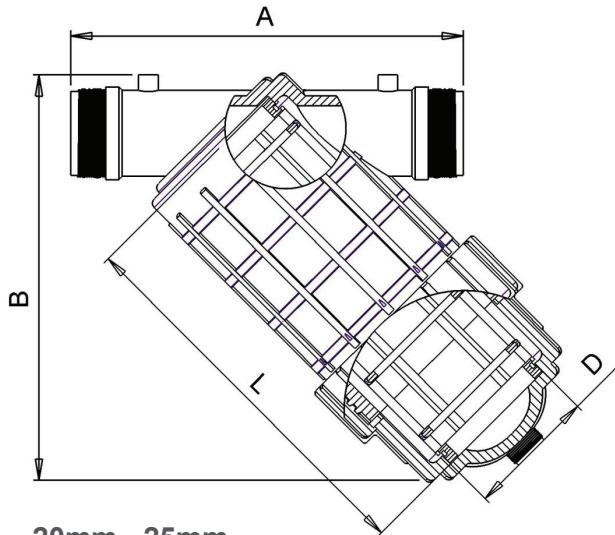
FAX: 08 8341 0707

infosa@hrproducts.com.au



TAVLIT SCREEN FILTERS - 20MM & 25MM

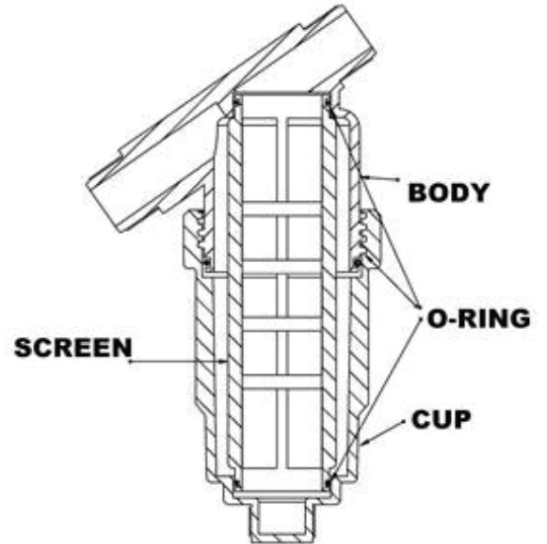
FILTER DIMENSIONS



20mm - 25mm

Filter Dimensions

- A: 121mm
- B: 160mm
- L: 153mm
- D: 31mm



- Body: P.P
- Screen: Stainless Steel or Polyester
- O-Rings: EPDM

HEAD LOSS at 120 mesh in metres, 10kPa

Screen Filters:

Flow Rate	20mm	25mm
LPM	kPa	
16.6	0.5	0.2
33.3	1.10	0.62
50	1.70	1.0
66.6	3.0	1.8
83.3	4.6	3.0
100	7.0	4.47

FILTRATION_TAVLIT_TF2025_V1.05-20

www.hrproducts.com.au





PRODUCT SPECIFICATION

FILTRATION

TAVLIT SCREEN FILTERS - 40MM & 50MM

Tavlit Screen Filters are used for protection in drip, spray and sprinkler watering systems. Filters are available in sizes from 20mm to 50mm.

FEATURES

- Unique: Swivel quick installation
- Interchangeable filtration elements:
Disc and Screen elements fit the same filter body
- High Flow, low pressure loss
- Easy maintenance
- UV Resistant
- BSP male or female thread

APPLICATIONS

- Water filtration for Agriculture, Turf, domestic and industrial application

SPECIFICATIONS

Maximum Flow - 40mm:	207lpm
Maximum Flow - 50mm:	342lpm
Max Recommended Operating Pressure:	1000kPa
Filtration Range:	80 - 155 mesh
Filtration Screen:	Polyester/Stainless Steel
Gaskets:	EPDM
Body:	Polypropylene



MODELS	CODE
40mm x 120 mesh screen (Red)	TF-40-120
40mm x 155 mesh screen (Green)	TF-40-155
40mm x 80 mesh screen (Light Blue)	TF-40-80
50mm x 120 mesh screen (Red)	TF-50-120

SPARE PARTS SCREEN ELEMENTS	CODE
80 mesh screen to suit 40mm body (Light Blue)	TFM40-80
120 mesh screen to suit 40mm body (Red)	TFM40-120
155 mesh screen to suit 40mm body (Green)	TFM40-155
80 mesh screen to suit 50mm body (Light Blue)	TFM50-80
120 mesh screen to suit 50mm body (Red)	TFM50-120



FILTRATION_TAVLIT_TF4050_V1.05-20

www.hrproducts.com.au



PERTH PH: 08 9484 6500 FAX: 08 9455 1680 hrsales@hrproducts.com.au	SYDNEY PH: 02 9616 1300 FAX: 02 9725 5283 infonsw@hrproducts.com.au	MELBOURNE PH: 03 8458 7400 FAX: 03 9457 7400 infovic@hrproducts.com.au	BRISBANE PH: 07 3080 6200 FAX: 07 3806 0533 infoql@hrproducts.com.au	ADELAIDE PH: 08 8408 7200 FAX: 08 8341 0707 infosad@hrproducts.com.au
--	---	--	--	---

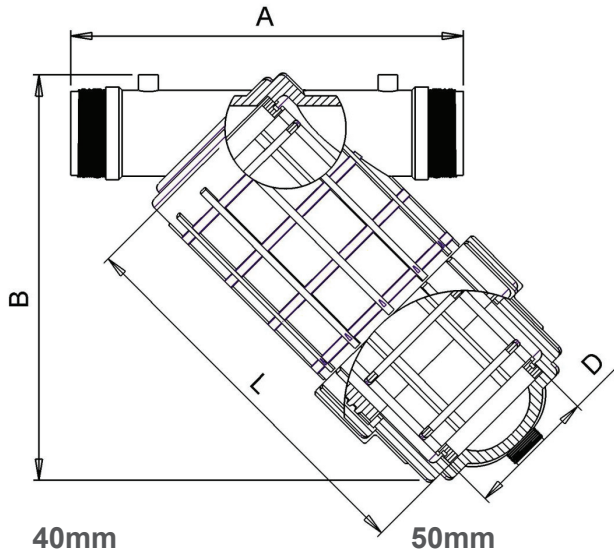


PRODUCT SPECIFICATION

FILTRATION

TAVLIT SCREEN FILTERS - 40MM & 50MM

FILTER DIMENSIONS



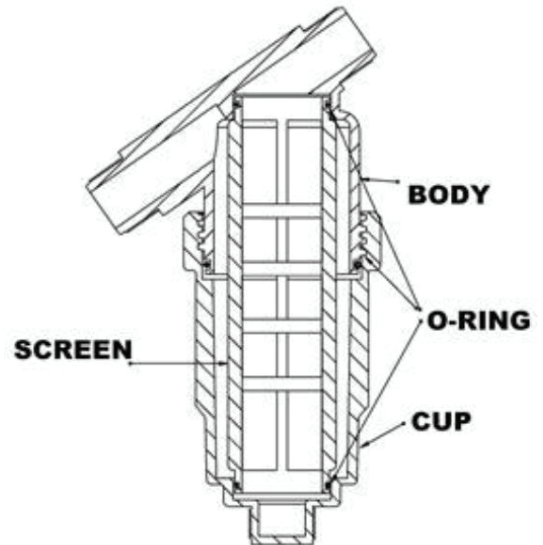
Filter Dimensions

A: 257mm
B: 240mm
L: 220mm
D: 80mm

Filter Dimensions

A: 257mm
B: 270mm
L: 265mm
D: 80mm

MATERIALS



Body: P.P

Screen: Stainless Steel or Polyester

O-Rings: EPDM

HEAD LOSS at 120 mesh in metres, 10kPa

Screen Filters:

Flow Rate	40mm	50mm
LPM	kPa	
83	3.0	
100	4.0	
116	6.0	3.0
133	8.0	3.5
150	9.5	5.0
166	11.9	6.4
200	13.7	7.5
233	17.0	9.9
266	21.9	13.0
300	27.9	15.9
333	35.0	19.9

FILTRATION_TAVLIT_TF4050_V1.05-20

www.hrproducts.com.au



PERTH

PH: 08 9484 6500

FAX: 08 9455 1680

hrsales@hrproducts.com.au

SYDNEY

PH: 02 9616 1300

FAX: 02 9725 5283

infonsw@hrproducts.com.au

MELBOURNE

PH: 03 8458 7400

FAX: 03 9457 7400

infovic@hrproducts.com.au

BRISBANE

PH: 07 3080 6200

FAX: 07 3806 0533

infoqld@hrproducts.com.au

ADELAIDE

PH: 08 8408 7200

FAX: 08 8341 0707

infoasa@hrproducts.com.au