



# PRODUCT SPECIFICATION

FILTRATION

## HYDROCYCLONE SAND SEPARATORS - SERIES 5000

The ODIS hydrocyclone separator is a simple device, easy to operate and maintain. It has no moving parts or screens. The hydrocyclone separates sand and other solid matter with very little head loss and 90% or better efficiency, no head loss build up and no clogging by solids being separated. Its versatility in system configurations and its economy in installation are some of its great advantages.

### FEATURES

- The hydrocyclones use a tangential injection flow process, enhancing the centrifugal forces and moving solid particles outwards
- The dispersed particles move downwards in a spiral path into an under-flow chamber, while clean liquid moves upwards to the centre of the spiral, towards the top outlet
- The underflow chamber can be drained manually or automatically without interfering with the proper functioning of the hydrocyclone
- Modular design - suitable for use in arrays for various flow rates
- 100 micron extra-durable polyester, applied electrostatically and oven-cured on a zinc-phosphate layer for maximal anti-corrosion protection

### APPLICATIONS

- Used for separation of sand and other solid matter from water or other liquids
- Protects pump, valves and irrigation systems from damage and abrasion caused by suspended solids
- For agriculture, domestic, industrial and municipal use



MODELS	CODE
<b>20mm Flow Range: 33lpm - 50lpm</b>	
20mm female bsp Hydrocyclone Sand Separator	OD50307
<b>25mm Flow Range: 58lpm - 125lpm</b>	
25mm female bsp Hydrocyclone Sand Separator	OD50410
<b>40mm Flow Range: 125lpm - 200lpm</b>	
40mm female bsp Hydrocyclone Sand Separator	OD50615
<b>50mm Flow Range: 183lpm - 283lpm</b>	
50mm female bsp Hydrocyclone Sand Separator	OD50820
<b>80mm Flow Range: 300lpm - 566lpm</b>	
80mm flanged Table D Hydrocyclone Sand Separator	OD50830
<b>100mm Flow Range: 583lpm - 866lpm</b>	
100mm Inlet / 80mm Outlet flanged Table D Hydrocyclone Sand Separator	OD51243
<b>150mm Flow Range: 1633lpm - 2666lpm</b>	
150mm flanged Table D Hydrocyclone Sand Separator	OD52060

FILTRATION\_OD5000\_V1.05-20

[www.hrproducts.com.au](http://www.hrproducts.com.au)



PERTH

PH: 08 9484 6500

FAX: 08 9455 1680

[hrsales@hrproducts.com.au](mailto:hrsales@hrproducts.com.au)

SYDNEY

PH: 02 9616 1300

FAX: 02 9725 5283

[infonsw@hrproducts.com.au](mailto:infonsw@hrproducts.com.au)

MELBOURNE

PH: 03 8458 7400

FAX: 03 9457 7400

[infovic@hrproducts.com.au](mailto:infovic@hrproducts.com.au)

BRISBANE

PH: 07 3080 6200

FAX: 07 3806 0533

[infoqld@hrproducts.com.au](mailto:infoqld@hrproducts.com.au)

ADELAIDE

PH: 08 8408 7200

FAX: 08 8341 0707

[infosa@hrproducts.com.au](mailto:infosa@hrproducts.com.au)



# PRODUCT SPECIFICATION

FILTRATION

## HYDROCYCLONE SAND SEPARATORS - SERIES 5000

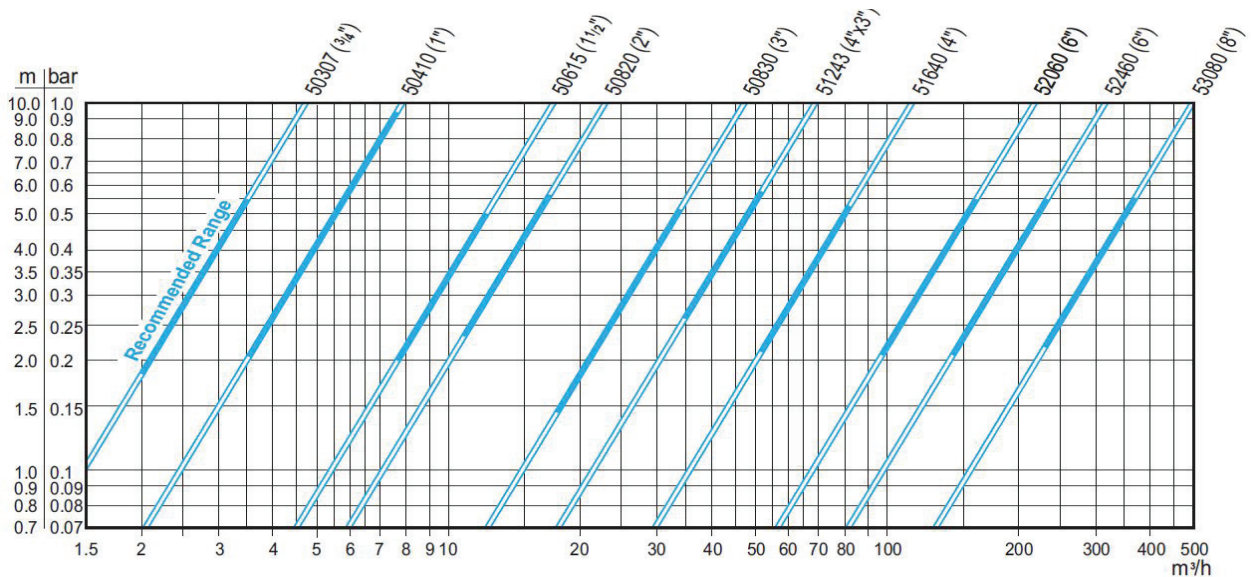
### SPECIFICATIONS

Recommended Flow Range: Up to 2666lpm  
 Maximum recommended working pressure: 800kPa  
 Maximum pressure: 1000kPa  
 End Connection Type: Threaded (25,40&50mm) & Flanged (80,100,150mm)

### Head Loss

Model	Head Loss dP (bar)					
	0.2	0.3	0.4	0.5	0.6	0.7
50307	2.1	2.6	3.0	3.3	3.6	3.9
50410	3.4	4.2	4.9	5.4	6.0	6.4
50615	7.6	9.3	10.8	12.0	13.2	14.2
50820	10.1	12.4	14.3	16.0	17.5	18.9
50830	21.1	25.9	29.9	33.4	36.6	39.5
51243	30.4	37.2	43.0	48.1	52.7	56.9
51640	50.1	61.3	70.8	79.2	86.8	93.7
52060	96.2	117.8	136.0	152.0	166.5	179.9

### Head Loss / Flow Rate



■ 1 bar=100 kPa=1.02 kg/cm<sup>2</sup>=10.2 m (W.C)=14.5 psi

FILTRATION\_OD5000\_V1.05-20

www.hrproducts.com.au



<b>PERTH</b> PH: 08 9484 6500 FAX: 08 9455 1680 hrsales@hrproducts.com.au	<b>SYDNEY</b> PH: 02 9616 1300 FAX: 02 9725 5283 infonsw@hrproducts.com.au	<b>MELBOURNE</b> PH: 03 8458 7400 FAX: 03 9457 7400 infovic@hrproducts.com.au	<b>BRISBANE</b> PH: 07 3080 6200 FAX: 07 3806 0533 infoqld@hrproducts.com.au	<b>ADELAIDE</b> PH: 08 8408 7200 FAX: 08 8341 0707 infosaa@hrproducts.com.au
--	---	--	---	---

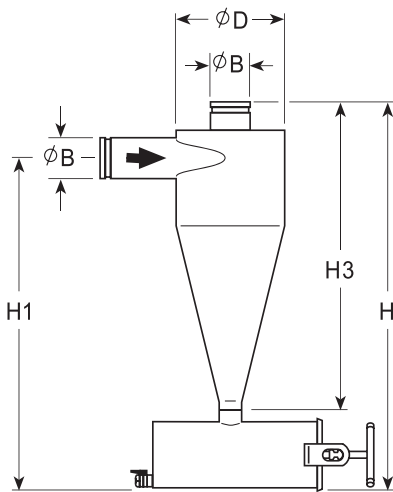


# PRODUCT SPECIFICATION

FILTRATION

## HYDROCYCLONE SAND SEPARATORS - SERIES 5000

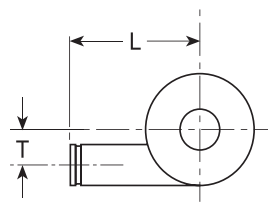
### FILTER DIMENSIONS



**OD50410**

**Filter Dimensions**

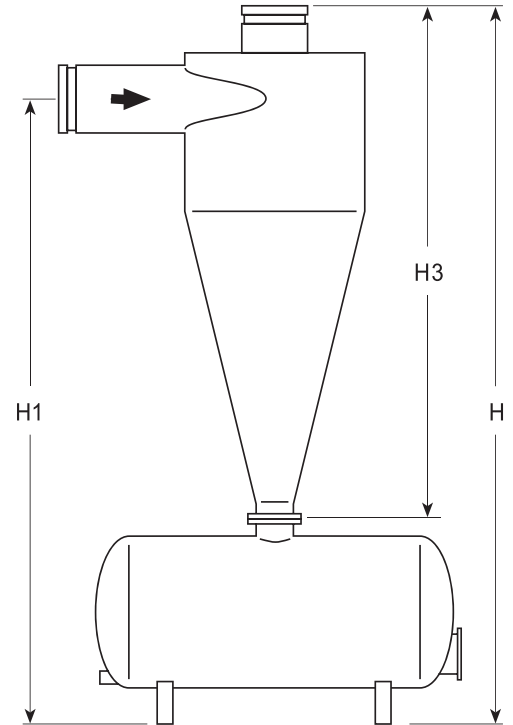
**B:** 25mm  
**D:** 100mm  
**H:** 460mm  
**H1:** 380mm  
**H3:** 345mm  
**L:** 140mm  
**T:** 40mm  
 Weight: 9kg  
 Threaded End Connection



**OD50615**

**Filter Dimensions**

**B:** 40mm  
**D:** 150mm  
**H:** 720mm  
**H1:** 580mm  
**H3:** 480mm  
**L:** 240mm  
**T:** 61mm  
 Weight: 18kg  
 Threaded End Connection



**OD50820**

**Filter Dimensions**

**B:** 50mm  
**D:** 200mm  
**H:** 735mm  
**H1:** 575mm  
**H3:** 530mm  
**L:** 295mm  
**T:** 80mm  
 Weight: 20kg  
 Threaded End Connection

**OD50830**

**Filter Dimensions**

**B:** 80mm  
**D:** 200mm  
**H:** 830mm  
**H1:** 660mm  
**H3:** 625mm  
**L:** 300mm  
**T:** 65mm  
 Weight: 27kg  
 Flanged Table D

**OD51243**

**Filter Dimensions**

**B:** 100mm in/ 80mm out  
**D:** 300mm  
**H:** 1330mm  
**H1:** 1130mm  
**H3:** 725mm  
**L:** 500mm  
**T:** 105mm  
 Weight: 66kg  
 Flanged Table D

**OD52060**

**Filter Dimensions**

**B:** 150mm  
**D:** 500mm  
**H:** 1900mm  
**H1:** 1610mm  
**H3:** 1150mm  
**L:** 600mm  
**T:** 170mm  
 Weight: 172kg  
 Flanged Table D

FILTRATION\_OD5000\_V1.05-20

[www.hrproducts.com.au](http://www.hrproducts.com.au)



**PERTH**

PH: 08 9484 6500

FAX: 08 9455 1680

[hrsales@hrproducts.com.au](mailto:hrsales@hrproducts.com.au)

**SYDNEY**

PH: 02 9616 1300

FAX: 02 9725 5283

[infonsw@hrproducts.com.au](mailto:infonsw@hrproducts.com.au)

**MELBOURNE**

PH: 03 8458 7400

FAX: 03 9457 7400

[infovic@hrproducts.com.au](mailto:infovic@hrproducts.com.au)

**BRISBANE**

PH: 07 3080 6200

FAX: 07 3806 0533

[infoqld@hrproducts.com.au](mailto:infoqld@hrproducts.com.au)

**ADELAIDE**

PH: 08 8408 7200

FAX: 08 8341 0707

[infossa@hrproducts.com.au](mailto:infossa@hrproducts.com.au)

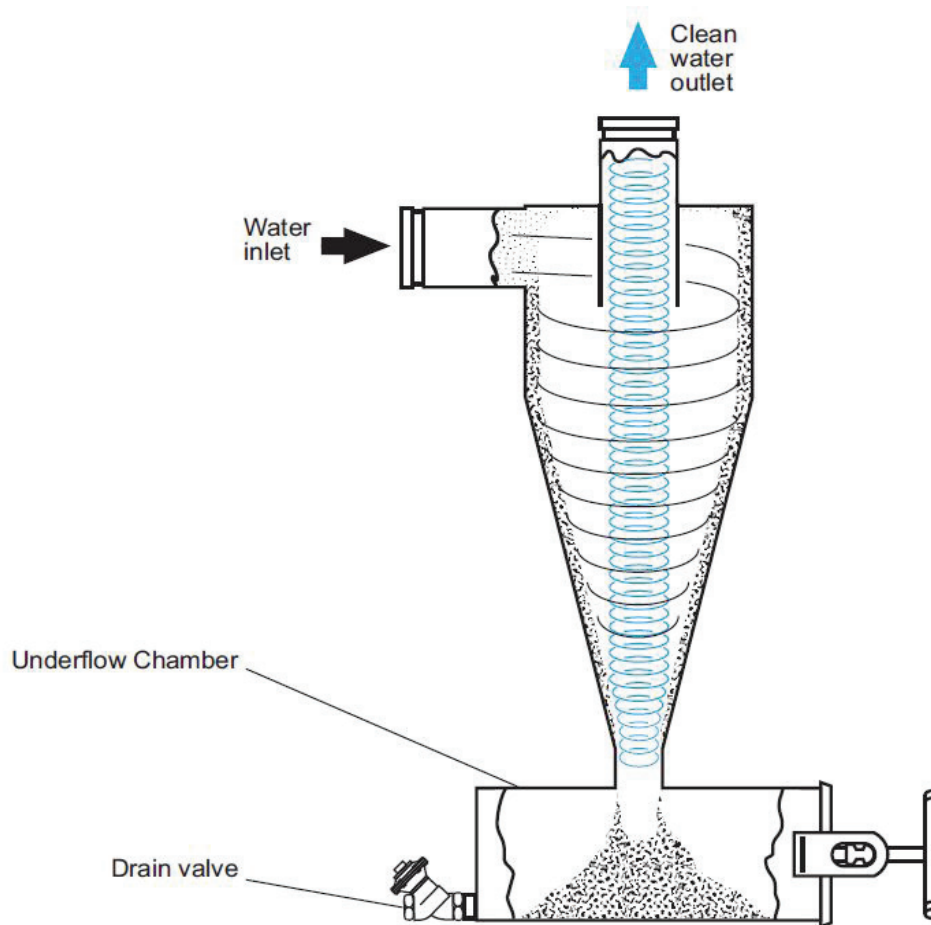


# PRODUCT SPECIFICATION

FILTRATION

## HYDROCYCLONE SAND SEPARATORS - SERIES 5000

FLOW SCHEME OF HYDROCYCLONE AND MODE OF SEPARATION



FILTRATION\_OD5000\_V1.05-20

[www.hrproducts.com.au](http://www.hrproducts.com.au)



PERTH

PH: 08 9484 6500

FAX: 08 9455 1680

[hrsales@hrproducts.com.au](mailto:hrsales@hrproducts.com.au)

SYDNEY

PH: 02 9616 1300

FAX: 02 9725 5283

[infonsw@hrproducts.com.au](mailto:infonsw@hrproducts.com.au)

MELBOURNE

PH: 03 8458 7400

FAX: 03 9457 7400

[infovic@hrproducts.com.au](mailto:infovic@hrproducts.com.au)

BRISBANE

PH: 07 3080 6200

FAX: 07 3806 0533

[infoqld@hrproducts.com.au](mailto:infoqld@hrproducts.com.au)

ADELAIDE

PH: 08 8408 7200

FAX: 08 8341 0707

[infossa@hrproducts.com.au](mailto:infossa@hrproducts.com.au)