



PRODUCT SPECIFICATION

FILTRATION

MANUAL INLINE SCREEN FILTER - SERIES 2000

Odis series 2000 are mainly used as a Control filter in agricultural applications and filtering small quantities of water impurities.

FEATURES

- Series 2000 has a horizontal inlet and outlet
- Mainly used as a control filter in agriculture
- Filter sizes available: 40mm, 50mm, 80mm, 100mm & 150mm
- Four mesh sizes available - 40mesh, 60mesh, 80mesh and 120mesh
- Cover can be easily removed for servicing and cleaning

APPLICATIONS

- Primary filtration for clean ground water
- Secondary filtration for Media Filter batteries and Sand Separators

SPECIFICATIONS

Recommended Flow Range:	250lpm - 3000lpm
Maximum recommended working pressure:	800kPa
Maximum pressure:	1000kPa
End Connection Type:	Threaded (40& 50mm) & Flanged (80,100,150mm)
Installation:	Horizontally with body pointing upwards (drain valve downwards)



MODELS	CODE
40mm Flow Range: Up to 250lpm	
40mm Y pattern screen filter body only	OD2015
40mm Y pattern screen filter with Stainless Steel screen complete (specify mesh)	OD2015-XXX
Stainless Steel mesh replacement screen (40,60,80 & 120)	ODE000401/XXX
50mm Flow Range: Up to 500lpm	
50mm Y pattern screen filter body only	OD2020
50mm Y pattern screen filter with Stainless Steel screen complete (specify mesh)	OD2020-XXX
Stainless Steel mesh replacement screen (40,60,80 & 120)	ODE000411/XXX
80mm Flow Range: Up to 666lpm	
80mm Y pattern screen filter body only	OD2030
80mm Y pattern screen filter with Stainless Steel screen complete (specify mesh)	OD2030-XXX
Stainless Steel mesh replacement screen (40,60,80 & 120)	ODE000412/XXX
100mm Flow Range: Up to 1333lpm	
100mm Y pattern screen filter body only	OD2040
100mm Y pattern screen filter with Stainless Steel screen complete (specify mesh)	OD2040-XXX
Stainless Steel mesh replacement screen (40,60,80 & 120)	ODE000413/XXX
150mm Flow Range: Up to 3000lpm	
150mm Y pattern screen filter body only	OD2260
150mm Y pattern screen filter with Stainless Steel screen complete (specify mesh)	OD2260-XXX
Stainless Steel mesh replacement screen (40,60,80 & 120)	ODE000425/XXX

FILTRATION_OD2000_V1.05-20

www.hrproducts.com.au



PERTH PH: 08 9484 6500 FAX: 08 9455 1680 hrsales@hrproducts.com.au	SYDNEY PH: 02 9616 1300 FAX: 02 9725 5283 infonsw@hrproducts.com.au	MELBOURNE PH: 03 8458 7400 FAX: 03 9457 7400 infovic@hrproducts.com.au	BRISBANE PH: 07 3080 6200 FAX: 07 3806 0533 infoqld@hrproducts.com.au	ADELAIDE PH: 08 8408 7200 FAX: 08 8341 0707 infosaa@hrproducts.com.au
--	---	--	---	---



PRODUCT SPECIFICATION

FILTRATION

MANUAL INLINE SCREEN FILTER - SERIES 2000

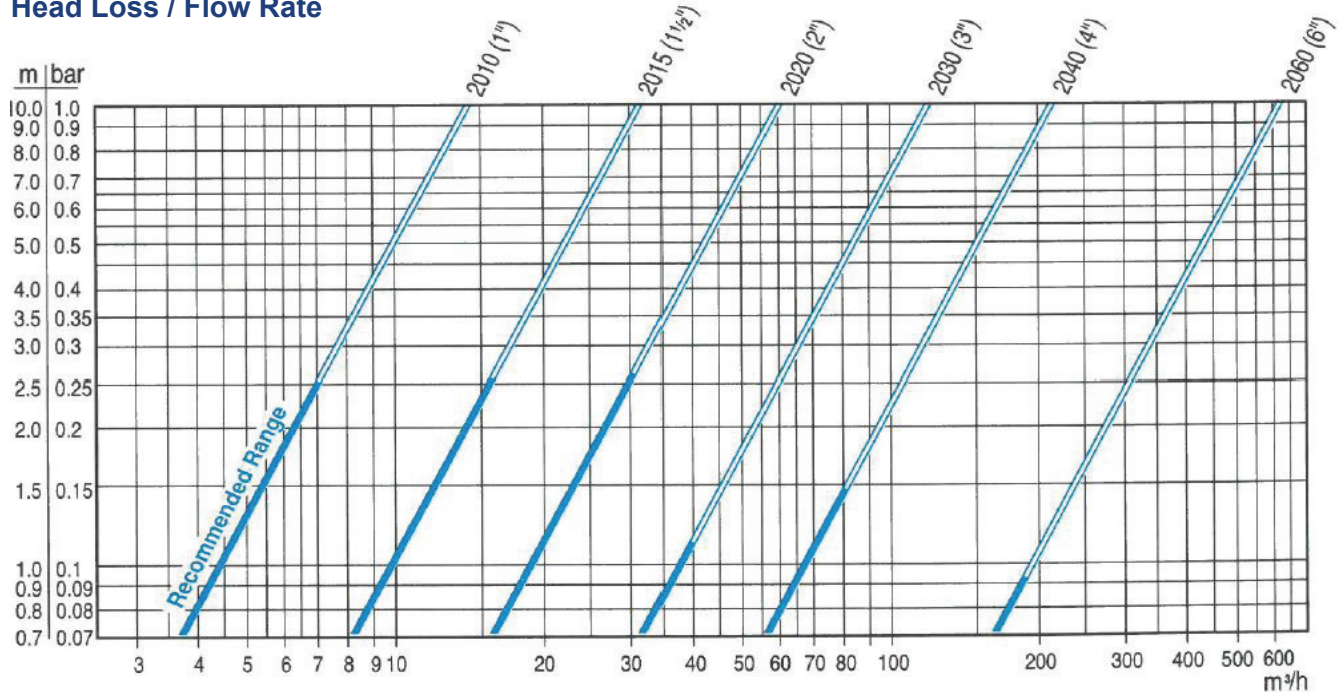
Head Loss

Model	Flow Rate Q (m ³ /h)											
	2.5	5	7.5	10	15	20	25	30	35	40	50	60
	Head Loss dP (bar)											
2010	0.03	0.12	0.27	0.48	1.07							
2015			0.06	0.10	0.23	0.42	0.65	0.94	1.27			
2020					0.06	0.11	0.17	0.24	0.33	0.43	0.67	0.97

Head Loss

Model	Flow Rate Q (m ³ /h)												
	30	40	50	60	80	100	120	140	160	180	200	220	240
	Head Loss dP (bar)												
2030	0.06	0.11	0.17	0.25	0.44	0.69	1.00						
2040			0.05	0.08	0.14	0.22	0.31	0.42	0.55	0.70	0.87	1.05	
2060						0.03	0.04	0.05	0.07	0.08	0.10	0.13	0.15

Head Loss / Flow Rate



★★ For a clean filter and 120 mesh screen.

■ 1 bar=100 kPa=1.02 kg/cm²=10.2 m (W.C)=14.5 psi

FILTRATION_OD2000_V1.05-20

www.hrproducts.com.au



PERTH

PH: 08 9484 6500

FAX: 08 9455 1680

hrsales@hrproducts.com.au

SYDNEY

PH: 02 9616 1300

FAX: 02 9725 5283

infonsw@hrproducts.com.au

MELBOURNE

PH: 03 8458 7400

FAX: 03 9457 7400

infovic@hrproducts.com.au

BRISBANE

PH: 07 3080 6200

FAX: 07 3806 0533

infoqld@hrproducts.com.au

ADELAIDE

PH: 08 8408 7200

FAX: 08 8341 0707

infosas@hrproducts.com.au

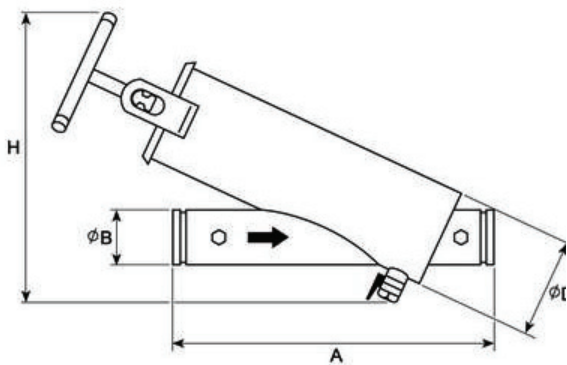


PRODUCT SPECIFICATION

FILTRATION

MANUAL INLINE SCREEN FILTER - SERIES 2000

FILTER DIMENSIONS



40mm

Filter Dimensions

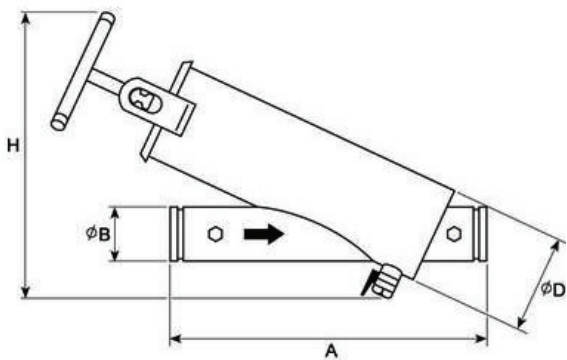
A: 330mm

B: 40mm

D: 100mm

H: 380mm

Threaded End Connection



50mm

Filter Dimensions

A: 470mm

B: 50mm

D: 150mm

H: 465mm

Threaded End Connection



FILTRATION_OD2000_V1.05-20

www.hrproducts.com.au



PERTH

PH: 08 9484 6500

FAX: 08 9455 1680

hrrsales@hrproducts.com.au

SYDNEY

PH: 02 9616 1300

FAX: 02 9725 5283

infonsw@hrproducts.com.au

MELBOURNE

PH: 03 8458 7400

FAX: 03 9457 7400

infovic@hrproducts.com.au

BRISBANE

PH: 07 3080 6200

FAX: 07 3806 0533

infoqld@hrproducts.com.au

ADELAIDE

PH: 08 8408 7200

FAX: 08 8341 0707

infosa@hrproducts.com.au

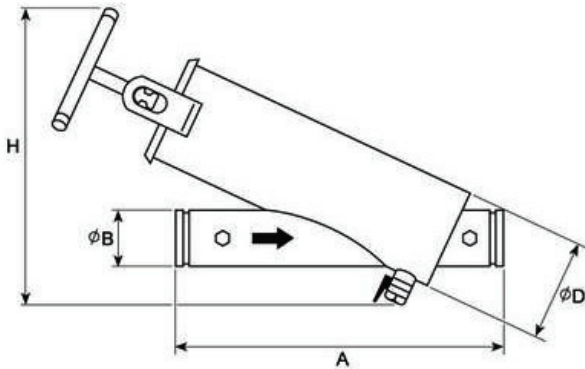


PRODUCT SPECIFICATION

FILTRATION

MANUAL INLINE SCREEN FILTER - SERIES 2000

FILTER DIMENSIONS



80mm

Filter Dimensions

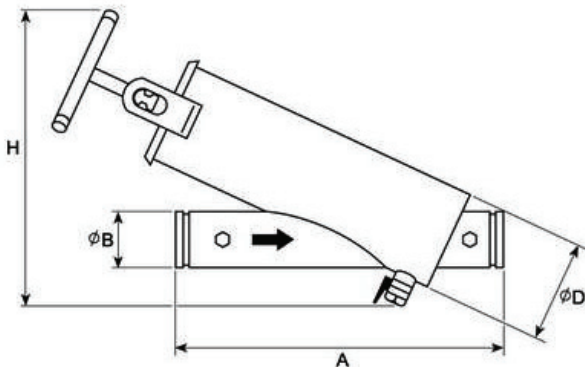
A: 555mm

B: 80mm

D: 150mm

H: 530mm

Flanged End Connection



100mm

Filter Dimensions

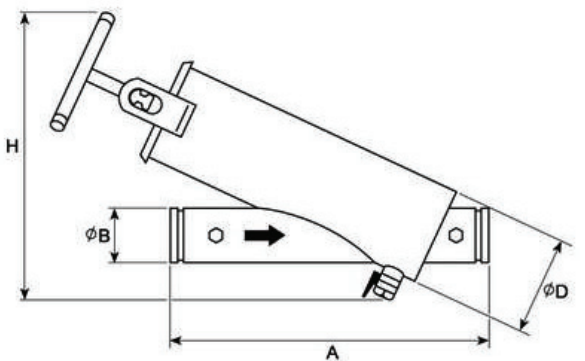
A: 690mm

B: 100mm

D: 200mm

H: 640mm

Flanged End Connection



150mm

Filter Dimensions

A: 900mm

B: 150mm

D: 300mm

H: 705mm

Flanged End Connection

FILTRATION_OD2000_V1.05-20

www.hrproducts.com.au



PERTH

PH: 08 9484 6500

FAX: 08 9455 1680

hrsales@hrproducts.com.au

SYDNEY

PH: 02 9616 1300

FAX: 02 9725 5283

infonsw@hrproducts.com.au

MELBOURNE

PH: 03 8458 7400

FAX: 03 9457 7400

infovic@hrproducts.com.au

BRISBANE

PH: 07 3080 6200

FAX: 07 3806 0533

infoqld@hrproducts.com.au

ADELAIDE

PH: 08 8408 7200

FAX: 08 8341 0707

infossa@hrproducts.com.au