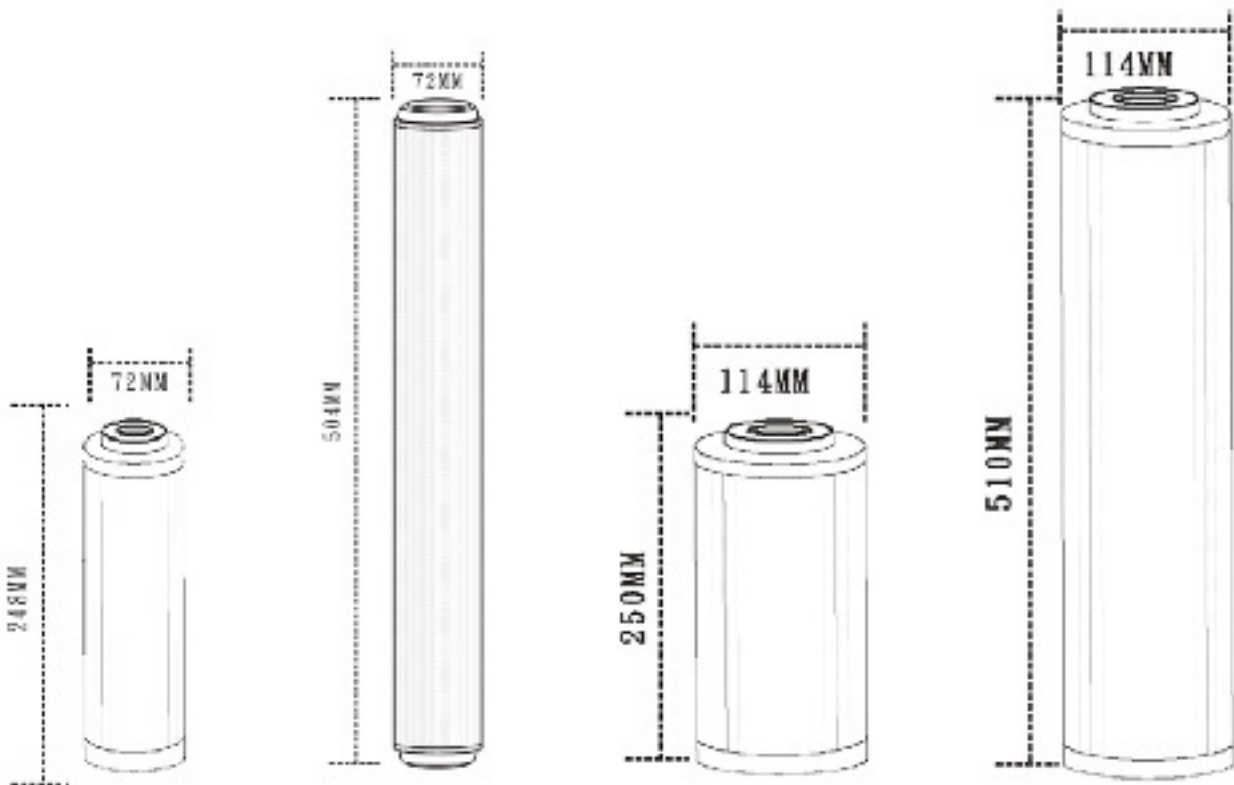


## Silver Carbon



O.D. x Length	72mm x 248mm	72mm x 504mm	114mm x 250mm	114mm x 510mm
Filter Media	Silver carbon			
Content	Acid wash ash below 2%, silver content 0.01% min.			
End Caps	ABS	ABS	Polystyrene	Polystyrene
Outer Casing	ABS	ABS	Polystyrene	Polystyrene
Post filter Pad	Polypropylene	Polypropylene	Polypropylene	Polypropylene
Expansion Pad	Polypropylene	Polypropylene	Polypropylene	Polypropylene
Gasket	EPDM	EPDM	Buna-N	Buna N
Temperature	4.4° - 48°C	4.4° - 48°C	4.4° - 48°C	4.4° - 48°C
Capacity	370g	870g	830g	1650g
Flow Rate	3Lpm	7Lpm	28Lpm	56Lpm

Silver has been used since ancient times to prevent spoilage of water. In these filters it prevents bacterial growth in the fine cracks of the activated carbon to ensure the carbon stays effective for taste, odour and colour reduction in un-chlorinated water supplies.