



[Stocked Market Range]



Shurrricane

New - with unique impeller design



Any motor - Anywhere

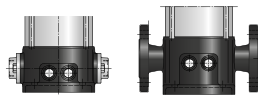
Robust vertical multistage pumps providing high discharge heads and high efficiencies, with an in-line design requiring minimal floor space for installation.

Features

Unique impeller design. The optimised shape of the Shurrricane maintains high efficiencies and very significantly reduces the axial thrust - meaning that any standard IEC motor can be used and bearing life is improved.

Specific brand or enclosure motors can be used if required, and sourcing a replacement motor is easy.

Installation dimensions to industry standard for easy upgrade or replacement.

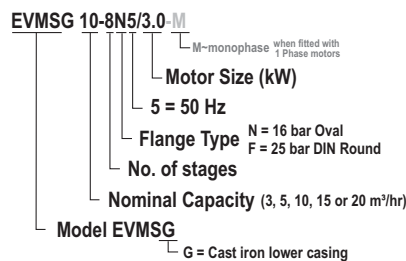


Applications

- Industrial
- Commercial Buildings
- Agricultural
- Original Equipment Manufacturers
- Municipalities

- Pressure boosting
- Irrigation
- Boiler feed
- Fire fighting
- Industrial washing
- Water treatment
- Filtration

Model Code



Specifications

- Vertical multistage in-line pump
- Special low thrust closed centrifugal impellers
- Maximum working pressure: 16 or 25 bar, depending on model. Refer to performance table.
- Max. liquid temperature: -15 °C to +120 or 140 °C (+120 °C for unbalanced seal; 140 °C for balanced seal)

Materials

- Impellers: 304 stainless steel
- Intermediate casings: 304 stainless steel
- Outer casing: 304 stainless steel
- Bottom casing: Cast iron
- Top casing: 304 stainless steel
- Shaft: 304 or 329 stainless steel (depending on model)
- Motor Bracket: Cast iron
- Mechanical seal: Silicon Carbide/Carbon/EPDM
- Liner Rings: PPS & 304 SS
- O-Rings: EPDM

Motor Data

- Uses IEC standard 2 pole 50 Hz motors
- Face or flange mount (See dimension table for details)
- 3 phase, TEFC, Class F, IP55

Range

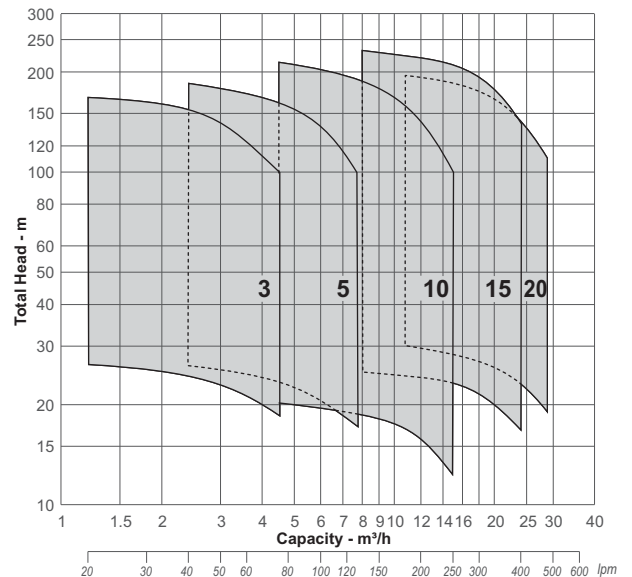
- 25 to 50 mm Ø discharge
- 0.37 to 15 kW - 3 phase
- 16 bar oval flange with screwed companion flange or
- 25 bar DIN round flange

Supply

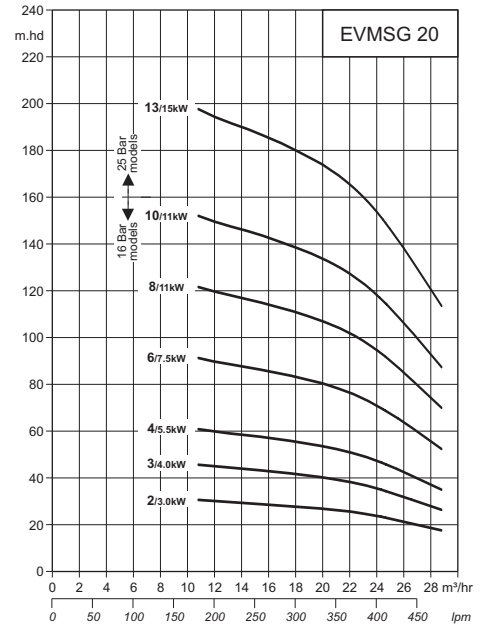
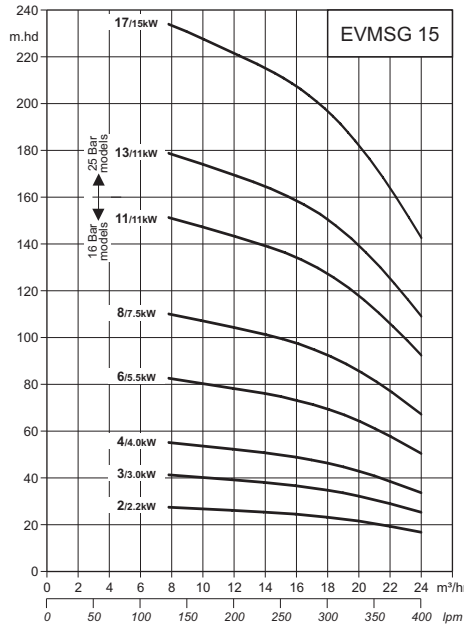
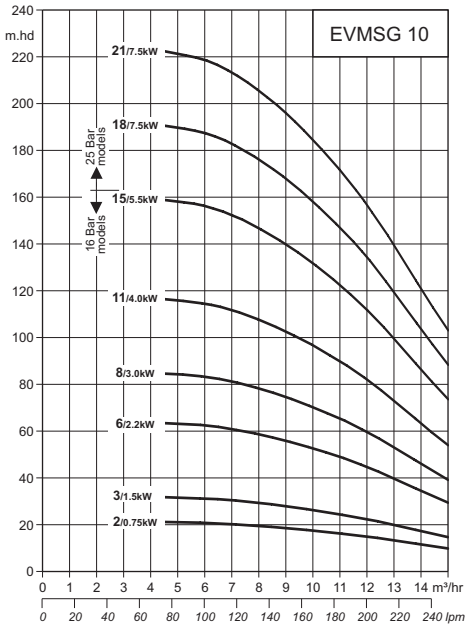
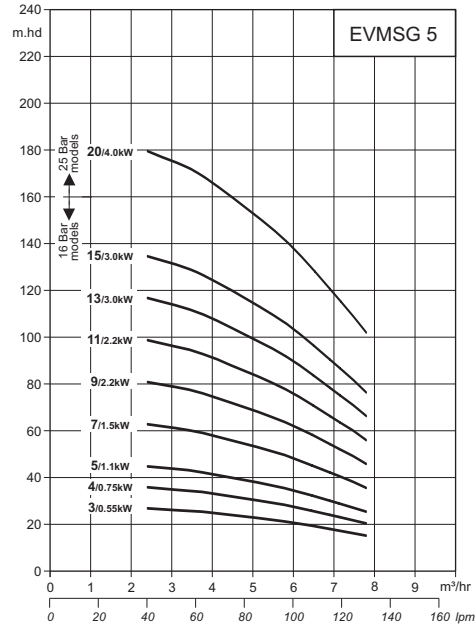
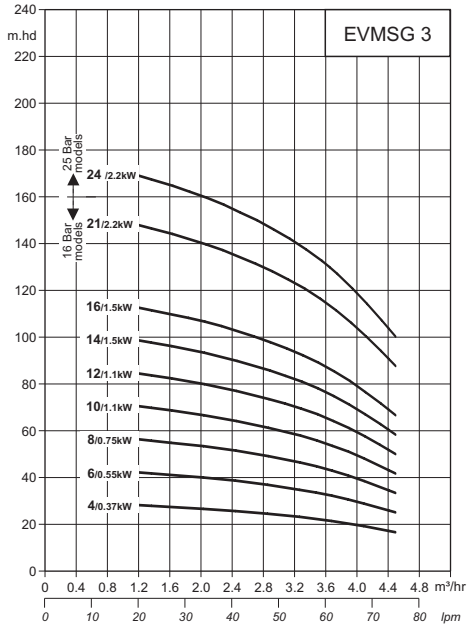
- Can be supplied as pump end without motor.
- Models with oval flange (N type) are supplied with zinc plated steel companion flanges.

Options

- Single phase motors (up to 3.0 kW)
- Special enclosure or specific brand on request.



Stocked market range shown - more models available on request



Specifications

Pump Model	Motor kW	Connections		Maximum Working Pressure	Cartridge Mechanical Seal
		Size	Type		
EVMSG 3-4N5/0.37	0.37	25 mm	16 bar oval flange with screwed companion flange (G1")	1.6 MPa	Unbalanced
EVMSG 3-6N5/0.55	0.55				
EVMSG 3-8N5/0.75	0.75				
EVMSG 3-10N5/1.1	1.1				
EVMSG 3-12N5/1.1	1.1				
EVMSG 3-14N5/1.5	1.5				
EVMSG 3-16N5/1.5	1.5				
EVMSG 3-21N5/2.2	2.2				
EVMSG 3-24F5/2.2	2.2				
EVMSG 5-3N5/0.55	0.55				
EVMSG 5-4N5/0.75	0.75	32 mm	16 bar oval flange with screwed companion flange (G1¼")	1.6 MPa	Unbalanced
EVMSG 5-5N5/1.1	1.1				
EVMSG 5-7N5/1.5	1.5				
EVMSG 5-9N5/2.2	2.2				
EVMSG 5-11N5/2.2	2.2				
EVMSG 5-13N5/3.0	3				
EVMSG 5-15N5/3.0	3				
EVMSG 5-20F5/4.0	4				
EVMSG 10-2N5/0.75	0.75				
EVMSG 10-3N5/1.5	1.5				
EVMSG 10-6N5/2.2	2.2				
EVMSG 10-8N5/3.0	3				
EVMSG 10-11N5/4.0	4				
EVMSG 10-15N5/5.5	5.5				
EVMSG 10-18F5/7.5	7.5				
EVMSG 10-21F5/7.5	7.5				
EVMSG 15-2F5/2.2	2.2				
EVMSG 15-3F5/3.0	3				
EVMSG 15-4F5/4.0	4				
EVMSG 15-6F5/5.5	5.5				
EVMSG 15-8F5/7.5	7.5				
EVMSG 15-11F5/11	11				
EVMSG 15-13F5/11	11				
EVMSG 15-17F5/15	15				
EVMSG 20-2F5/3.0	3				
EVMSG 20-3F5/4.0	4				
EVMSG 20-4F5/5.5	5.5				
EVMSG 20-6F5/7.5	7.5				
EVMSG 20-8F5/11	11				
EVMSG 20-10F5/11	11				
EVMSG 20-13F5/15	15				

Pump Model	Motor kW	Connections		Maximum Working Pressure	Cartridge Mechanical Seal		
		Size	Type				
EVMSG 10-2N5/0.75	0.75	40 mm	16 bar oval flange with screwed companion flange (G1½")	1.6 MPa	Unbalanced		
EVMSG 10-3N5/1.5	1.5						
EVMSG 10-6N5/2.2	2.2						
EVMSG 10-8N5/3.0	3						
EVMSG 10-11N5/4.0	4						
EVMSG 10-15N5/5.5	5.5			25 bar round DIN flange		2.5 MPa	Balanced
EVMSG 10-18F5/7.5	7.5						
EVMSG 10-21F5/7.5	7.5						
EVMSG 15-2F5/2.2	2.2						
EVMSG 15-3F5/3.0	3						
EVMSG 15-4F5/4.0	4	50 mm	25 bar round DIN flange	1.6 MPa	Unbalanced		
EVMSG 15-6F5/5.5	5.5						
EVMSG 15-8F5/7.5	7.5						
EVMSG 15-11F5/11	11						
EVMSG 15-13F5/11	11						
EVMSG 15-17F5/15	15			25 bar round DIN flange		2.5 MPa	Balanced
EVMSG 20-2F5/3.0	3						
EVMSG 20-3F5/4.0	4						
EVMSG 20-4F5/5.5	5.5						
EVMSG 20-6F5/7.5	7.5						
EVMSG 20-8F5/11	11	50 mm	25 bar round DIN flange	1.6 MPa	Unbalanced		
EVMSG 20-10F5/11	11						
EVMSG 20-13F5/15	15						
EVMSG 20-10F5/11	11						
EVMSG 20-13F5/15	15						

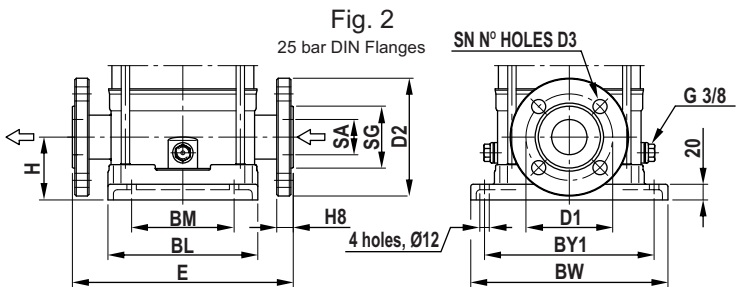
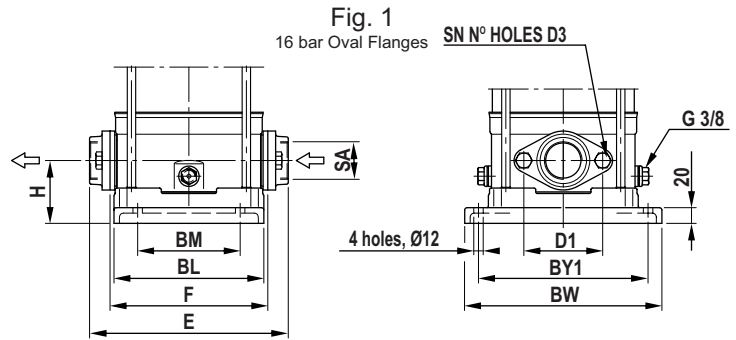
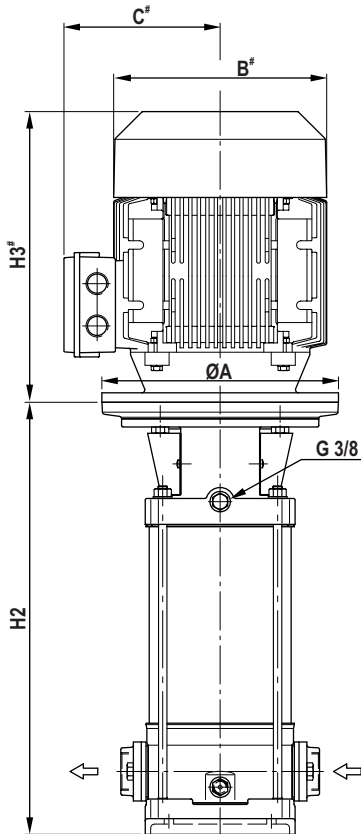
Dimensions - with WEG W21 motors

Model **EVMSG**

Units: mm unless otherwise specified

Dimensions H3, C & B may vary depending on motor type fitted.

Dimensions & weights shown refer to 3 Phase WEG W21 motors :-
 - Aluminium motors 0.37 to 7.5 kW
 - Cast Iron motors 11 & 15 kW

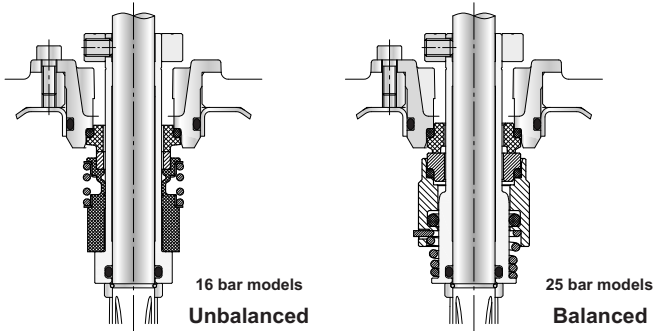


Motor kW	0.37	0.55	0.75	1.1	1.5	2.2	3.0	4.0	5.5	7.5	11.0	15.0
Frame Size	71	71	80	80	90S	90L	100L	112M	132S	132S	160M	160M
Mount	Vertical Face Mount - B14A (V18)						Vertical Flange Mount - B5 (V1)					

* FLC = Motor full load current (A) @ 400 V (W21 motors)

Pump Model	Motor kW	FLC* A	Fig.No for Flange	Dimensions																Weight - kg					
				H	H2	H3	F	E	B	C	BM	BL	BY1	BW	SA	SG	D1	D2	H8	SN	D3	A	Pump	Motor	
EVMSG 3-4N5/0.37	0.37	0.875	Fig. 1	50	313	218	160	206	139	127	100	149	180	210	G1"	-	75	-	-	2	M10	Ø105	15	24	
EVMSG 3-6N5/0.55	0.55	1.22		50	334	218	160	206	139	127	100	149	180	210	G1"	-	75	-	-	2	M10	Ø105	15	24	
EVMSG 3-8N5/0.75	0.75	1.58		50	386	236	160	206	157	136	100	149	180	210	G1"	-	75	-	-	2	M10	Ø120	16	27	
EVMSG 3-10N5/1.1	1.1	2.40		50	428	236	160	206	157	136	100	149	180	210	G1"	-	75	-	-	2	M10	Ø120	17	31	
EVMSG 3-12N5/1.1	1.1	2.40		50	470	236	160	206	157	136	100	149	180	210	G1"	-	75	-	-	2	M10	Ø120	18	32	
EVMSG 3-14N5/1.5	1.5	3.01		50	522	279	160	206	177	155	100	149	180	210	G1"	-	75	-	-	2	M10	Ø140	19	34	
EVMSG 3-16N5/1.5	1.5	3.01	50	564	279	160	206	177	155	100	149	180	210	G1"	-	75	-	-	2	M10	Ø140	21	36		
EVMSG 3-21N5/2.2	2.2	4.39	50	669	279	160	206	177	155	100	149	180	210	G1"	-	75	-	-	2	M10	Ø140	23	42		
EVMSG 3-24F5/2.2	2.2	4.39	Fig. 2	75	757	279	-	250	177	155	100	149	180	210	Ø25	Ø64	Ø85	Ø115	16	4	Ø14	Ø140	27	46	
EVMSG 5-3N5/0.55	0.55	1.22		50	292	218	160	206	139	127	100	149	180	210	G1½"	-	75	-	-	2	M10	Ø105	14	23	
EVMSG 5-4N5/0.75	0.75	1.58	Fig. 1	50	330	236	160	206	157	136	100	149	180	210	G1½"	-	75	-	-	2	M10	Ø120	15	26	
EVMSG 5-5N5/1.1	1.1	2.40		50	358	236	160	206	157	136	100	149	180	210	G1½"	-	75	-	-	2	M10	Ø120	15	29	
EVMSG 5-7N5/1.5	1.5	3.01		50	424	279	160	206	177	155	100	149	180	210	G1½"	-	75	-	-	2	M10	Ø140	16	31	
EVMSG 5-9N5/2.2	2.2	4.39		50	480	279	160	206	177	155	100	149	180	210	G1½"	-	75	-	-	2	M10	Ø140	18	37	
EVMSG 5-11N5/2.2	2.2	4.39		50	536	279	160	206	177	155	100	149	180	210	G1½"	-	75	-	-	2	M10	Ø140	19	38	
EVMSG 5-13N5/3.0	3	5.77		50	602	316	160	206	198	165	100	149	180	210	G1½"	-	75	-	-	2	M10	Ø160	21	48	
EVMSG 5-15N5/3.0	3	5.77	50	658	316	160	206	198	165	100	149	180	210	G1½"	-	75	-	-	2	M10	Ø160	22	49		
EVMSG 5-20F5/4.0	4	7.45	Fig. 2	75	823	333	-	250	235	184	100	149	180	210	Ø32	Ø64	Ø85	Ø115	16	4	Ø18	Ø160	31	64	
EVMSG 10-2N5/0.75	0.75	1.58		80	343	236	200	206	157	136	130	190	215	250	G1½"	-	Ø110	-	-	2	M12	Ø120	22	33	
EVMSG 10-3N5/1.5	1.5	3.01	Fig. 1	80	383	279	200	206	177	155	130	190	215	250	G1½"	-	Ø110	-	-	2	M12	Ø140	23	37	
EVMSG 10-6N5/2.2	2.2	4.39		80	473	279	200	206	177	155	130	190	215	250	G1½"	-	Ø110	-	-	2	M12	Ø140	25	44	
EVMSG 10-8N5/3.0	3	5.77		80	543	316	200	206	198	165	130	190	215	250	G1½"	-	Ø110	-	-	2	M12	Ø160	27	54	
EVMSG 10-11N5/4.0	4	7.45		80	633	333	200	206	235	184	130	190	215	250	G1½"	-	Ø110	-	-	2	M12	Ø160	31	64	
EVMSG 10-15N5/5.5	5.5	10.2		80	851	410	200	206	274	212	130	190	215	250	G1½"	-	Ø110	-	-	2	M12	Ø300	43	84	
EVMSG 10-18F5/7.5	7.5	13.9		Fig. 2	80	941	410	-	280	274	212	130	190	215	250	Ø40	Ø80	Ø110	Ø150	18	4	Ø18	Ø300	48	112
EVMSG 10-21F5/7.5	7.5	13.9	80		1031	410	-	280	274	212	130	190	215	250	Ø40	Ø80	Ø110	Ø150	18	4	Ø18	Ø300	51	115	
EVMSG 15-2F5/2.2	2.2	4.39	Fig. 2	90	387	279	-	300	177	155	130	190	215	250	Ø50	Ø95	Ø125	Ø165	22	4	Ø18	Ø140	28	47	
EVMSG 15-3F5/3.0	3	5.77		90	437	316	-	300	198	165	130	190	215	250	Ø50	Ø95	Ø125	Ø165	22	4	Ø18	Ø160	29	55	
EVMSG 15-4F5/4.0	4	7.45		90	477	333	-	300	235	184	130	190	215	250	Ø50	Ø95	Ø125	Ø165	22	4	Ø18	Ø160	30	63	
EVMSG 15-6F5/5.5	5.5	10.2		90	654	410	-	300	274	212	130	190	215	250	Ø50	Ø95	Ø125	Ø165	22	4	Ø18	Ø300	41	82	
EVMSG 15-8F5/7.5	7.5	13.9		90	734	410	-	300	274	212	130	190	215	250	Ø50	Ø95	Ø125	Ø165	22	4	Ø18	Ø300	45	109	
EVMSG 15-11F5/11	11	20.2		90	884	488	-	300	317	255	130	190	215	250	Ø50	Ø95	Ø125	Ø165	22	4	Ø18	Ø350	55	165	
EVMSG 15-13F5/11	11	20.2		90	964	488	-	300	317	255	130	190	215	250	Ø50	Ø95	Ø125	Ø165	22	4	Ø18	Ø350	58	168	
EVMSG 15-17F5/15	15	27.1		90	1124	488	-	300	317	255	130	190	215	250	Ø50	Ø95	Ø125	Ø165	22	4	Ø18	Ø350	63	175	
EVMSG 20-2F5/3.0	3	5.77		Fig. 2	90	397	316	-	300	198	165	130	190	215	250	Ø50	Ø95	Ø125	Ø165	22	4	Ø18	Ø160	28	55
EVMSG 20-3F5/4.0	4	7.45			90	437	333	-	300	235	184	130	190	215	250	Ø50	Ø95	Ø125	Ø165	22	4	Ø18	Ø160	29	62
EVMSG 20-4F5/5.5	5.5	10.2			90	574	410	-	300	274	212	130	190	215	250	Ø50	Ø95	Ø125	Ø165	22	4	Ø18	Ø300	35	76
EVMSG 20-6F5/7.5	7.5	13.9			90	654	410	-	300	274	212	130	190	215	250	Ø50	Ø95	Ø125	Ø165	22	4	Ø18	Ø300	38	102
EVMSG 20-8F5/11	11	20.2	90		764	488	-	300	317	255	130	190	215	250	Ø50	Ø95	Ø125	Ø165	22	4	Ø18	Ø350	52	162	
EVMSG 20-10F5/11	11	20.2	90		844	488	-	300	317	255	130	190	215	250	Ø50	Ø95	Ø125	Ø165	22	4	Ø18	Ø350	54	164	
EVMSG 20-13F5/15	15	27.1	90		964	488	-	300	317	255	130	190	215	250	Ø50	Ø95	Ø125	Ø165	22	4	Ø18	Ø350	58	173	

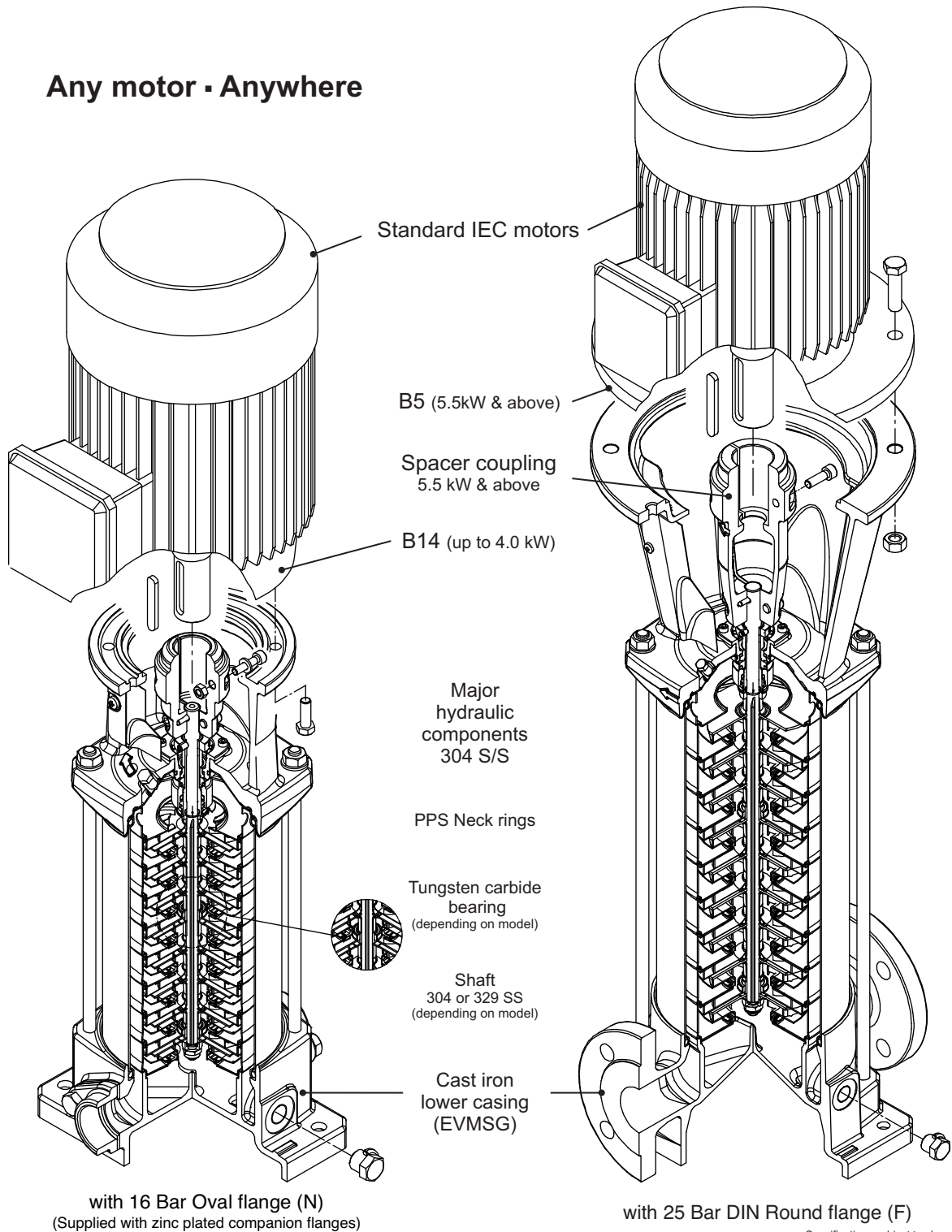
Mechanical Seal



- Cartridge seals as standard for all models
- Seal to EN 12756 (ex DIN 24960)
- Standard material SiC/Carbon/EPDM
- Models with 16 Bar rating
Standard with Unbalanced seal
- Models with 25 Bar rating
Standard with Balanced seal

[Options available on request]

Any motor - Anywhere



Specifications subject to change without notice