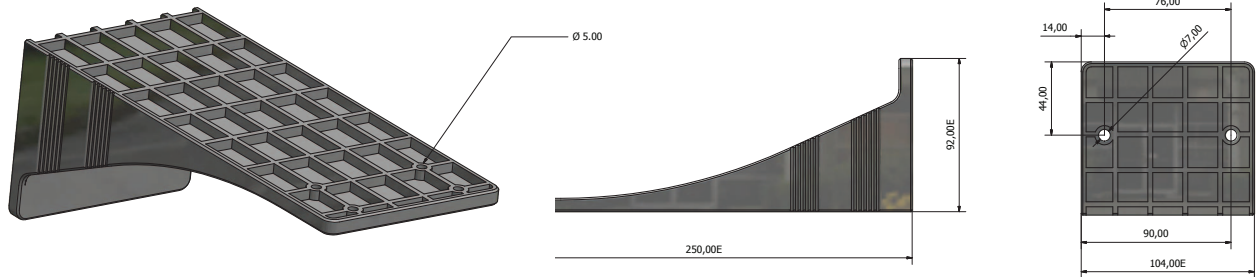


BRACKETS SUPPORTS

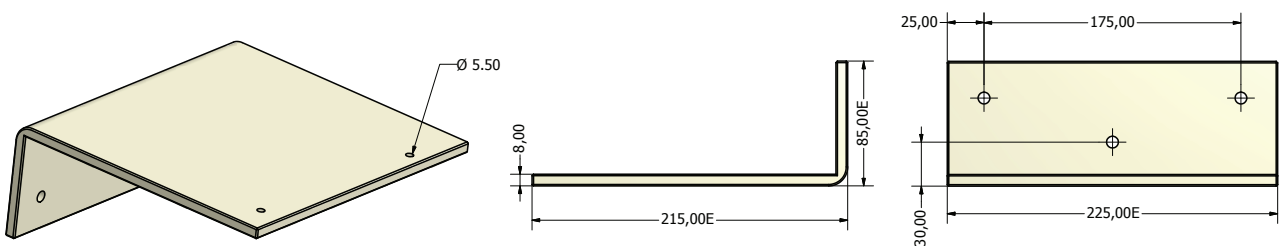
Data Sheet

Wall mounting brackets and tanks supports for dosing pumps.



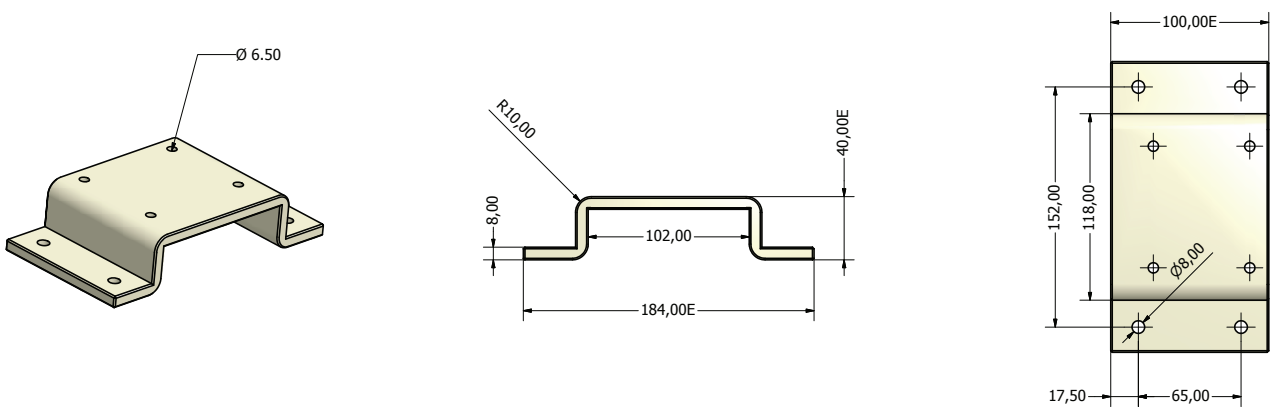
For "F" series dosing pumps
"STF"

"PP" made bracket for tank installation. Designed for "F" series dosing pumps.



For "T" series dosing pumps
"STT"

"PVC" made bracket for tank installation. Designed for "T" series dosing pumps.



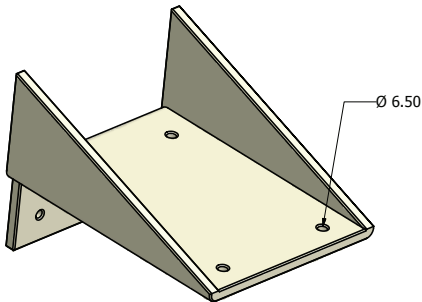
For "K" series dosing pumps
"STK1"

"PVC" made bracket for tank installation. Designed for "K" series dosing pumps.

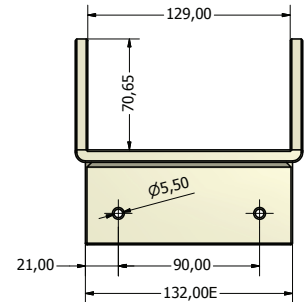
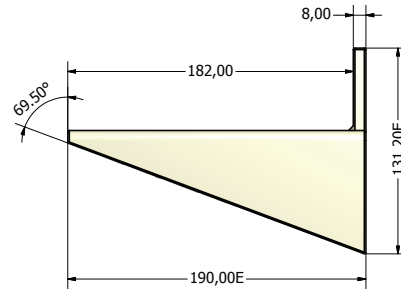
BRACKETS SUPPORTS

Data Sheet

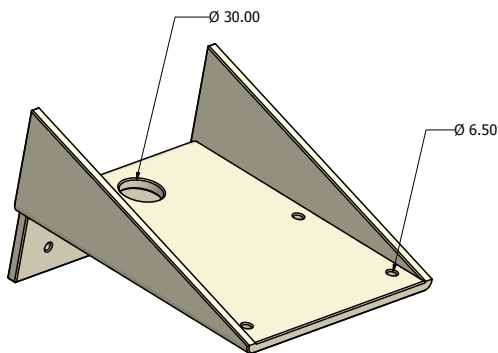
Wall mounting brackets and tanks supports for dosing pumps.



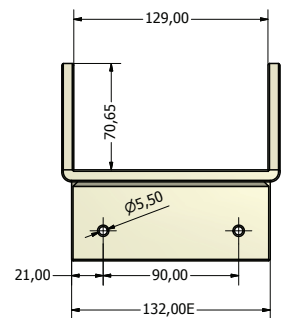
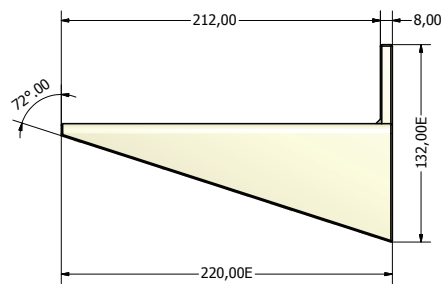
For "AMS" series dosing pumps
"STAMS"



"PVC" made bracket for wall mounting installation (side version). Designed for "CMS" series dosing pumps.



For "AMS" series dosing pumps
"STAMS2"

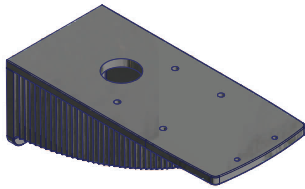


"PVC" made bracket for wall mounting installation (front version). Designed for "H" series dosing pumps.

BRACKETS SUPPORTS

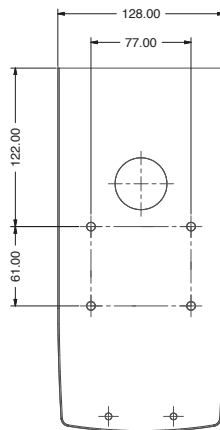
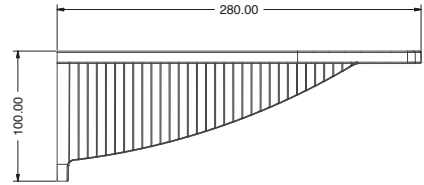
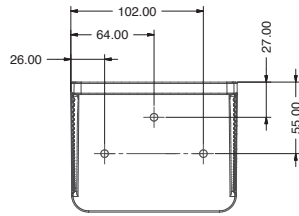
Data Sheet

Wall mounting brackets and tanks supports for dosing pumps.

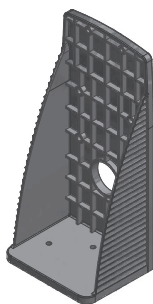


For "K/KMS" and "H/HMS" series dosing pumps

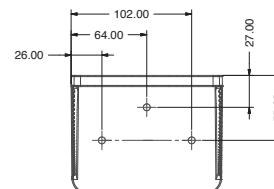
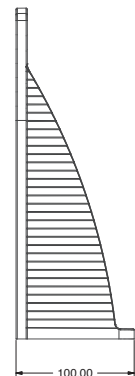
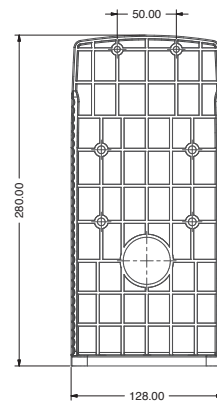
"STKN"



"PP" made bracket for wall mounting installation. Designed for "K/KMS" and "H/HMS" series dosing pumps.



For "V/VMS" series dosing pumps
"STVN"



"PP" made bracket for tank installation. Designed for "V/VMS" series dosing pumps.

EMEC

ISO 9001:2008
ISO 14001:2004
OHSAS 18001:2007



Via Donatori di sangue, 1 - 02100 Vazia (RI) - Italy
Tel. +39 0746 2284 1 - Fax +39 0746 2284 2 - <http://www.emec.it>

Specifications subject to change without notice.
ENG R1-12-11