



Depend on Davey

DAVEY

APPLICATIONS

Used in conjunction with Deep Well injector kits, these pumps are ideal for supplying high pressure water from bores to 42m depth for:

- Water supply
- Tank filling
- Stock watering
- Sprinkler supply

Pumps can also be used in applications where pump needs to be horizontally offset from the water supply.

WHY CHOOSE THE Davey Deep Well Jet Pump?

High TEFC - IP rating for long term protection against vermin, dust and water

- Manufactured from quality corrosion resistant materials
- Versatile pump - convertible to match different suction lifts
- Easily converted to automatic operation
- Pumping system can be used for 'offset' installations
- 165D available with 3 phase motor
- Low maintenance
- Oring seal hand tightened priming plug for easy operation



Deep Well Jet Pump

Model Numbers: 095D, 125D, 165D

Rugged, reliable single stage centrifugal pumps with deep well injectors, driven by Davey's TEFC motor. Pump fitted with pressure switch for easy conversion to automatic operation. Automatic demand response valve fitted as standard to protect against loss of prime from over pumping.

PUMP

1 Stage (Single Impeller).

Marine grade aluminium pump body with Rilsan® lining.

D.D.R. valve fitted.

Pressure switch fitted.

Pressure gauge supplied.

MOTOR

Davey manufactured.

2 pole, 2900rpm, 50Hz.

Class F insulation, IP56.

Permanently split capacitor design for single phase motors.

Double contact seal C3, high temperature greased bearings.

Inbuilt thermal overload protection with automatic reset in all 1Ø models.

INSTALLATION & PRIMING

- To prime, fill pump body, suction and pressure pipes and injector through priming plug hole and replace plug.

Note: For complete details consult the installation and operating instructions.

OPERATING LIMITS

Type	095D	125D	165D
Maximum capacity (@260kPa, nil suction) lpm	95	126	165
Maximum water temperature	50°C		
Minimum water temperature	1°C		
Outlet size	1 1/2" BSP(F)		
Suction pipe sizes	Refer injector kit		

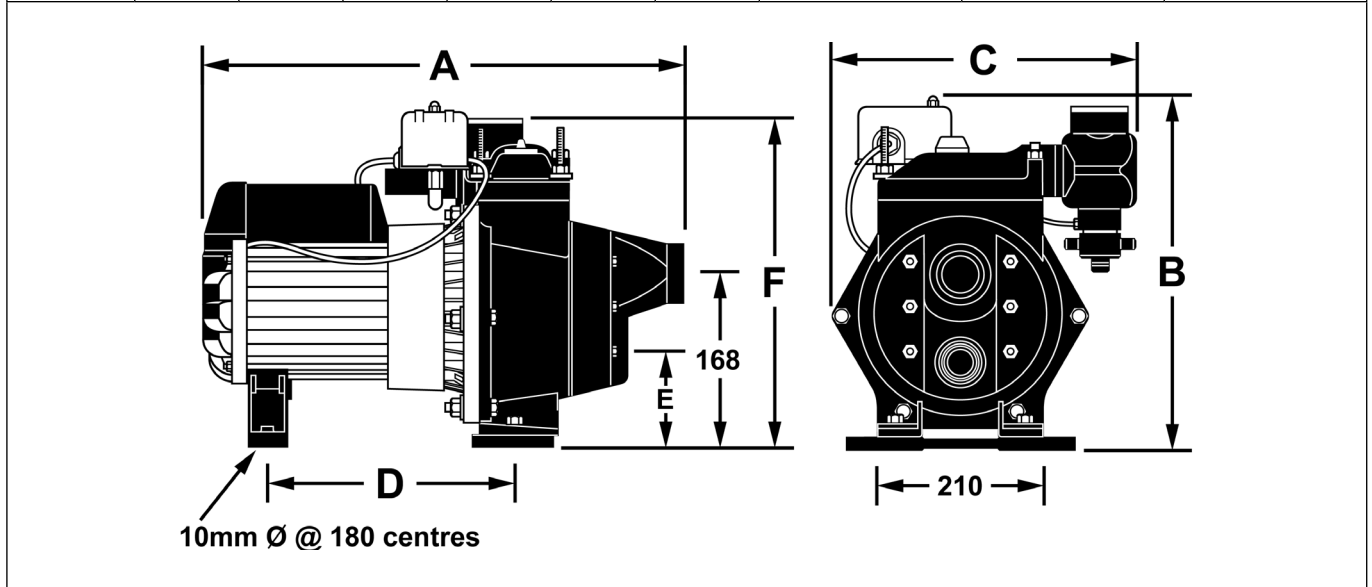
MATERIALS OF CONSTRUCTION

Part	Material
Suction cover	Aluminium-Rilsan® lined
Pump body	Aluminium-Rilsan® lined
Discharge port	Aluminium-Rilsan® lined
Diffuser	Glass filled Noryl
Backplate	Glass filled Noryl
Impeller	Glass filled polycarbonate
Seal ring (stationary)	Ceramic
Seal ring (rotating)	Carbon
Orings	Nitrile rubber
Priming plug	Nylon
Shaft	304 stainless steel
Motor shell	Aluminium
Motor shell finish	Polyester powder coat
Capacitor cover	Polypropylene
Terminal box cover	Polypropylene
Mounting feet	Xenoy®

ELECTRICAL DATA

Shallow Well Pump – Type	095D	125D	165D
Supply voltage (1Ø)	220-240		
Supply voltage (3Ø)	N/A	N/A	380-450
Output power (kW)	1.1	1.4	1.8
Maximum rated current @ 240V (amps)	7.2	8.5	10/4.2
Locked rotor current @ 240V (amps)	21	25	39/24
Insulation class	F		
IP rating	IP56		
Starting (1Ø)	P.S.C.		

DIMENSIONS (mm)									
Model	A	B	C	D	E	F	Inlet B.S.P.	Outlet B.S.P.	Net Weight (kg)
095D	455	375	300	210	80	335	1¼" & 1½"F	1¼"F	22
125D	555	365	300	158	320	230	1¼" & 1½"F	1¼"F	24.5
165D	585	365	300	158	320	230	1¼" & 1½"F	1¼"F	25



INJECTOR OD (MAX.)		
Type	To Suit	Max. OD
23100	Nominal 4" Bore	85
23125	Nominal 5" Bore	111

All dimensions in mm unless otherwise stated.

DEEP WELL PUMPS																															
Pump Model	Injector Kit No. Nominal Bore Size	*Max Shut Off Pressure kPa psi	Outlet Pressure kPa psi		Depth to water metres/feet																										
					6	9	12	15	18	21	24	27	30	33	36	39	42														
					20	30	39	49	59	69	79	89	98	108	118	128	138														
Output per minute in litres/gallons																															
95D 1ph 1.6kW * 1.1kW Ⓞ 7.2A	22469 (4") 100mm	550 80	140	20	85	18.6	73	16.0	64	14.0	55	12.0	46	10.1																	
			280	40	57	12.5	49	10.7	40	8.7	32	7.0	25	5.4																	
			420	60	21	4.6	16	3.5	11	2.4																					
125D 1ph 2.1kW * 1.4kW Ⓞ 8.5A	22471 (4") 100mm	575 83	210	30	96	21.1	85	18.6	73	16.0	60	13.1	51	11.2																	
			280	40	77	16.9	65	14.2	57	12.5	47	10.3	39	8.5																	
			420	60	34	7.4	26	5.7	20	4.3	14	3.0																			
165D 1ph 2.4kW * 1.8kW Ⓞ 10.0A	22473 (4") 100mm	620 90	210	30	107	23.5	93	20.4	83	18.2	71	15.6	59	12.9	48	10.5															
			350	50	60	13.1	50	10.9	42	9.2	35	7.6	29	6.3	23	5.0															
			480	70	27	5.9	20	4.3	14	3.0	10	2.1																			
165D 3ph 2.3kW * 1.8kW Ⓞ 4.2A	22474 (4") 100mm	635 92	210	30					63	13.8	54	11.8	46	10.1	40	8.7	35	7.6	27	5.9	24	5.2									
			350	50					40	8.7	34	7.4	28	6.1	24	5.2	20	4.3	16	3.5	12	2.6									
			480	70					19	4.1	14	3.0	10	2.1																	
165D 3ph 2.3kW * 1.8kW Ⓞ 4.2A	22475 (4") 100mm	750 109	210	30										25	5.4	24	5.2	21	4.6	19	4.1	17	3.7	15	3.2	12	2.6				
			350	50											19	4.1	18	3.9	16	3.5	14	3.0	13	2.8	11	2.4	9	1.9			
			480	70											12	2.6	11	2.4	10	2.1											
165D 3ph 2.3kW * 1.8kW Ⓞ 4.2A	22571 (5") 125mm	590 86	210	30	122	26.8	111	24.4	98	21.5	87	19.1	70	15.3	56	12.3															
			350	50	74	16.2	62	13.6	51	11.2	40	8.7	29	6.3	20	4.3															
			480	70	27	5.9	18	3.9	11	2.4																					
165D 3ph 2.3kW * 1.8kW Ⓞ 4.2A	22572 (5") 125mm	630 91	210	30									64	14.0	57	12.5	49	10.7	42	9.2	37	8.1	31	6.8							
			350	50										38	8.3	33	7.2	28	6.1	24	5.2	20	4.3	15	3.2						
			480	70										18	3.9	14	3.0	10	2.1												
165D 3ph 2.3kW * 1.8kW Ⓞ 4.2A	22573 (5") 125mm	540 78	210	30															37	8.1	30	6.5	27	5.9	21	4.6	17	3.7	12	2.6	
			280	40																30	6.5	27	5.9	22	4.8	18	3.9	14	3.0	10	2.1
			350	50																21	4.6	17	3.7	13	2.8	10	2.1				

* Input kW (P₁) Ⓞ Output kW (P₂)

Important Information

- Pump outlet: 1¼" (32mm) BSPP Female. 'Automatic Demand Response' fitted as standard on all models.
- Suction pipe sizes: 1½" and 1¼" I.D. imperial polypipe for injector kit no's 22469 - 22475 and 1½" I.D. imperial polypipe for injector kit no's 22570 - 22573.
- Max. shut off pressures are at shallowest depth to water for each injector. Reduce by 10 kPa for every 1 metre of extra depth to water.
- All performances are with injector submergence of 3m and minimum pipe length of 12m.
- All pipe fittings and hose clips are included with deep well injectors.
- For offset applications, performance will be reduced if suction pipe lengths exceed depths indicated for borehole installations.
- Pumps are supplied with pressure switches connected suitable for automatic pressure system operation in conjunction with Davey Supercell pressure tanks.
- To convert litres/min to gallons/hour multiply by 13.2. All imperial data is an approximate of metric figures. Specifications subject to change without notice.
- All single phase models supplied with plug and lead for 220/250 volt 50Hz operation. 3 phase 415 volt available in model 165D.



davey.com.au | daveynz.co.nz

This literature is not a complete guide to product usage. Further information is available from your Davey Dealer, Davey Support Centre and from the relevant product Installation and Operating Instructions. Must be read in conjunction with the relevant product Installation and Operating Instructions and all applicable statutory requirements. Product specifications may change without notice.
 © Davey is a registered trademark of Davey Water Products Pty Ltd. © Davey Water Products Pty Ltd 2016.