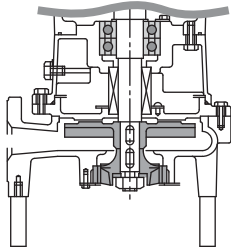


A submersible grinder pump of high quality and reliability; of robust cast iron construction; featuring:-

- High torque motor
- Double row lower bearing
- Powerful grinding mechanism
- Non clogging vortex impeller

Suitable for:-

- Domestic sewage
- Small scale pressure sewage systems
- Grey wastewater containing soft solids



### Specifications

- Submersible grinder pump with grinding mechanism & vortex impeller
- Suitable for sewage & grey water (soft solids only)
- Maximum liquid temperature: 40 °C

### Materials

- Pump casing: Cast Iron
- Grinder mechanism: 440 Stainless Steel
- Impeller: Cast Iron
- Shaft: 403 Stainless Steel
- Motor frame: Cast Iron
- Fasteners: 304 Stainless Steel
- Mechanical seal: Double mechanical seal in oil chamber, Silicon Carbide lower faces, Carbon/Ceramic upper faces.

### Motor Data

- Air filled, dry submersible, 2 pole, 50 Hz
- Insulation class F
- IP68 protection
- 3 Phase - 400 Volt
- In built overload protection

### Range

- 40 to 50 mm Ø discharge
- 1.5 to 3.7 kW - 3 Phase (Manual only)

### Supply

- Cable: 10 m
- Screwed companion flange
- Discharge elbow (50 mm models only)

### Accessories

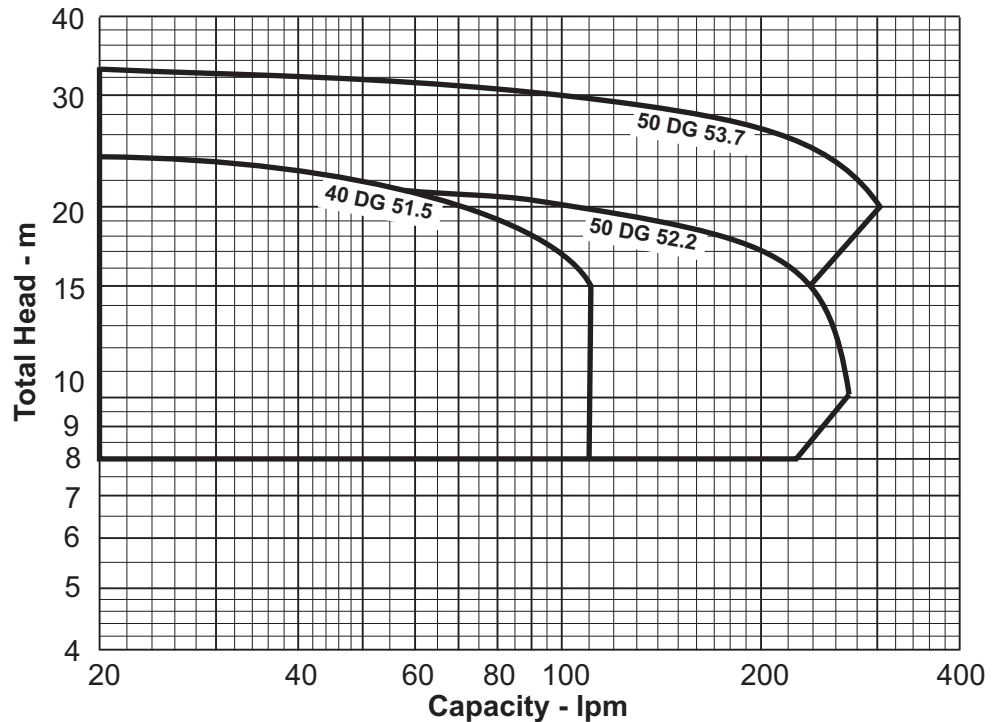
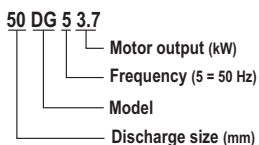
- Quick Discharge Connectors (QDC) available
- Baseplate for QDC

### Performance Curve

Synchronous Speed:  
3000 rpm

Applicable standard of test :  
ISO 9906 Annex A

#### Model Code



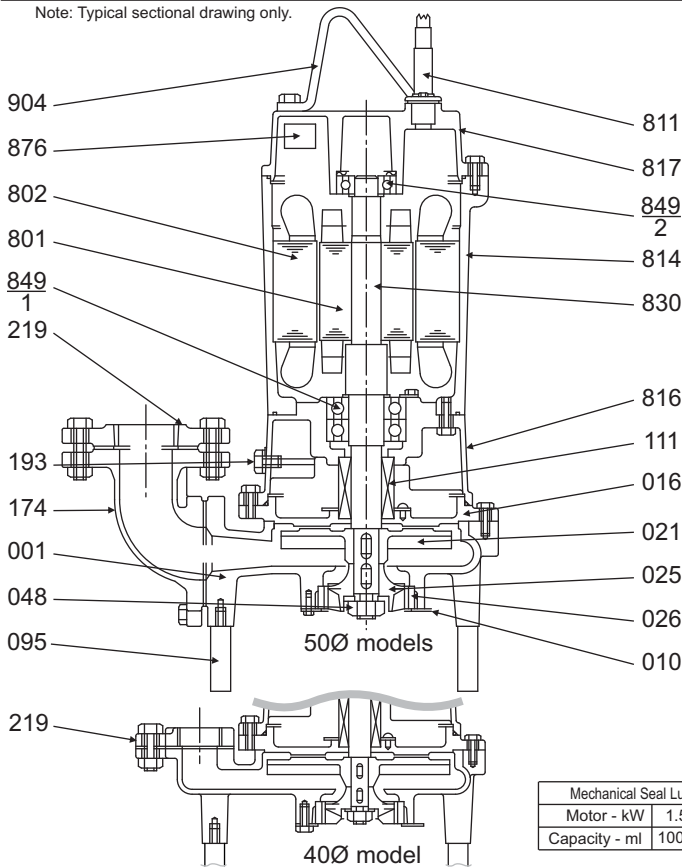
### Performance Table

Pump Model	Motor Output	Discharge Ø mm	Full Load Current 3 PH, 400 V	Capacity - lpm					
				Total Head - m					
40 DG 51.5	1.5 kW	40 mm	4.1 A	Q - lpm	0	30	60	90	110
				H - m	24.2	23.5	21.0	18.0	15.0
50 DG 52.2	2.2 kW	50 mm	4.9 A	Q - lpm	0	70	140	200	270
				H - m	22.0	21.0	19.0	17.0	10.0
50 DG 53.7	3.7 kW	50 mm	7.4 A	Q - lpm	0	100	200	250	300
				H - m	33.9	30.0	26.5	24.0	20.0

# Sectional Drawing

Model **DG**

Note: Typical sectional drawing only.



No.	Description	Material	Qty.
001	Casing	FC200 Cast Iron	1
010	Disc cover	SUS304 Stainless Steel	1
016	Mechanical seal cover	FC200 Cast Iron	1
021	Impeller	FC200 Cast Iron	1
025	Grinder impeller	SUS440C Stainless Steel	1
026	Grinder disc	SUS440C Stainless Steel	1
048	Impeller nut	SUS304 Stainless Steel	1
095	Pump stand	SGD Steel	3
111	Mechanical seal	Silicon Carbide lower faces Carbon vs Ceramic upper faces	1
174	Discharge elbow	FC200 Cast Iron	1
193	Oil plug	SUS304 Stainless Steel	1
219	Companion flange	FC200 Cast Iron	
801	Rotor	-	1
802	Stator	-	1
811	Cable	-	1
814	Motor frame	FC150 Cast Iron	1
816	Lower bracket	FC150 Cast Iron	1
817	Upper bracket	FC150 Cast Iron	1
830	Shaft #	SUS403 Stainless Steel	1
849-1	Ball bearing	-	1
849-2	Ball bearing	-	1
876	Auto cut	-	1
904	Lifting hanger	St Steel	1
999	Oil	Turbine Oil SAE 10W or 20W	*

Mechanical Seal Lubricating Oil			
Motor - kW	1.5	2.2	3.7
Capacity - ml	1000	1200	

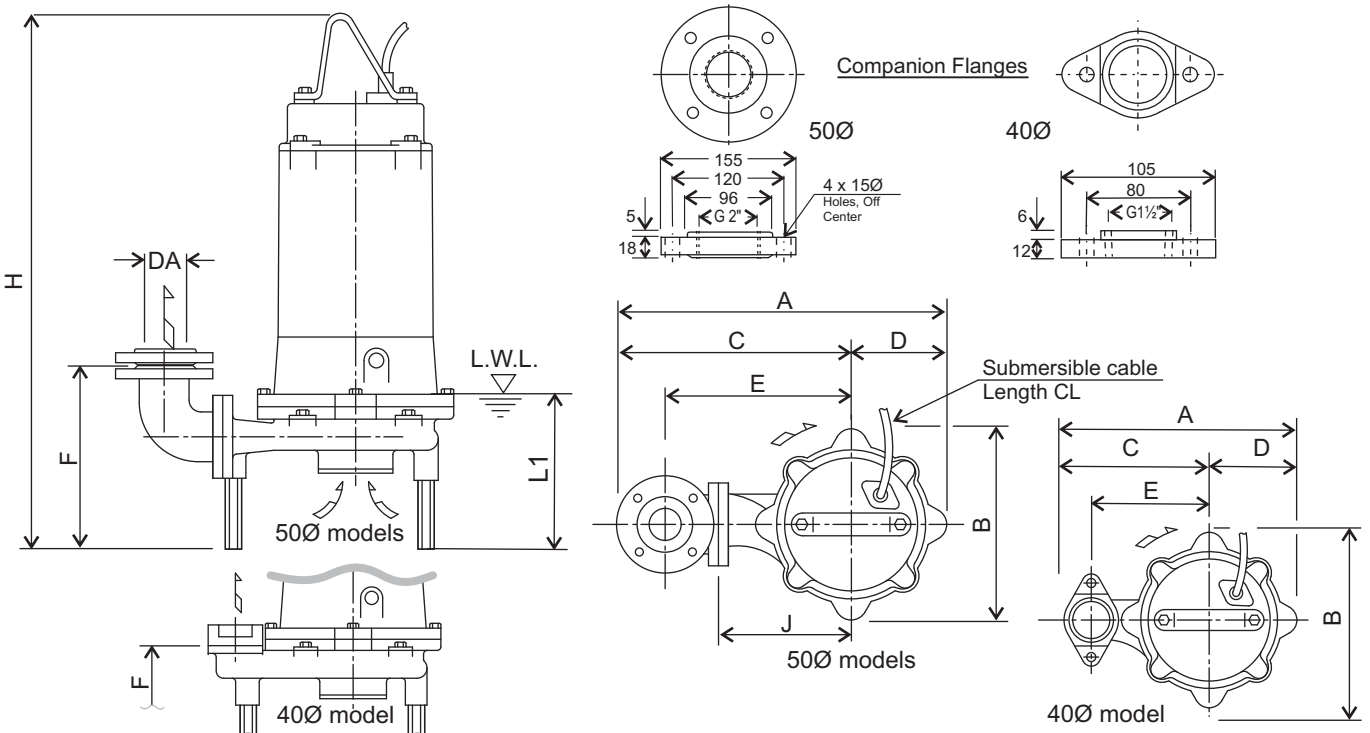
# refers to pump side of shaft material

\* See table for oil capacity

# Dimensions

Model **DG**

Units: mm unless otherwise specified



Size DA	Pump Model	Output kW	Dimensions										Weight kg	
			DA	A	B	C	D	E	F	H	J	L1		CL
40	40 DG 51.5	1.5	40	287	218	178	109	146	169	625	-	200	10 m	40
	50 DG 52.2	2.2	50	396	222	285	111	207	246	670	152	230	10 m	55
50	50 DG 53.7	3.7	50	396	222	285	111	207	246	703	152	230	10 m	55

Specifications subject to change without notice



EBARA PUMPS AUSTRALIA PTY. LTD.

Data Sheet

DG 17-06