



PROUDLY DISTRIBUTED BY
 **PLASSON**[®]
AUSTRALIA

BUCCHI TANK CONNECTORS



**INSTALL IN
SECONDS
FROM OUTSIDE
THE TANK**



www.plasson.com.au

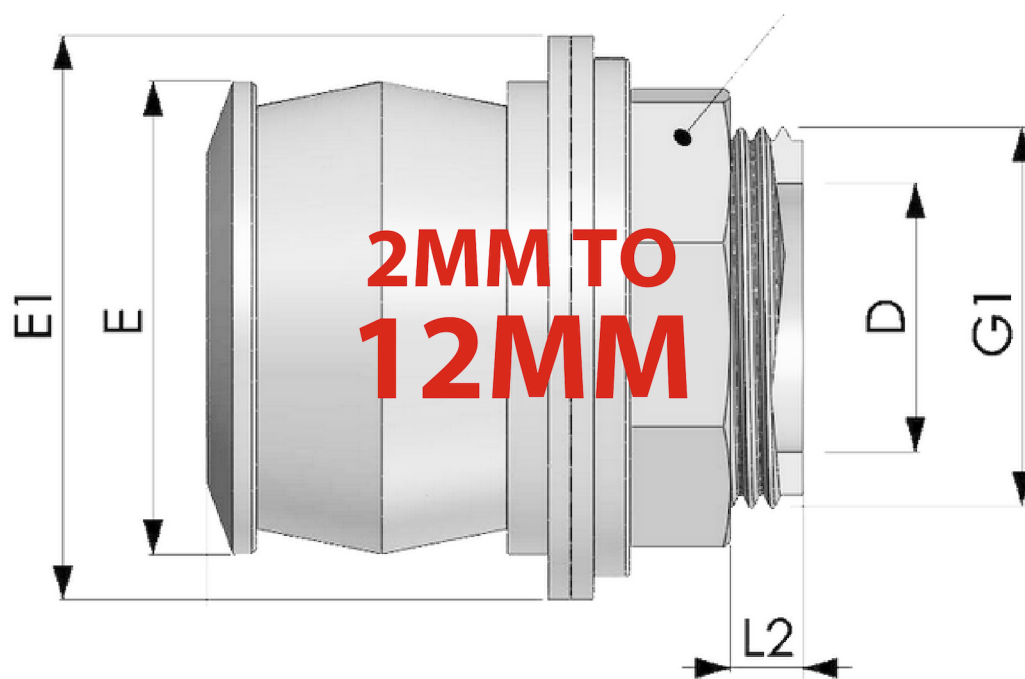
FAST AND EASY CONNECTIONS

Fitting connectors to tanks has always been a time consuming and tricky task but a single person can fit a connection in a matter of seconds with BUCCHI.

BUCCHI adaptors are fitted from the outside of the tank so you don't need access to both sides of the tank wall.

Smart engineering ensures a secure seal on tanks with curved or uneven walls. The BUCCHI range includes gaskets suitable for water tanks, those containing fuel and even aggressive liquids.

PLASSON Australia is exclusive distributor for BUCCHI. Call us on 1300 752 776 to find out what BUCCHI can deliver.



BUCCHI adaptors suit plastic or steel tanks with a wall thickness between 2 -12 mm.

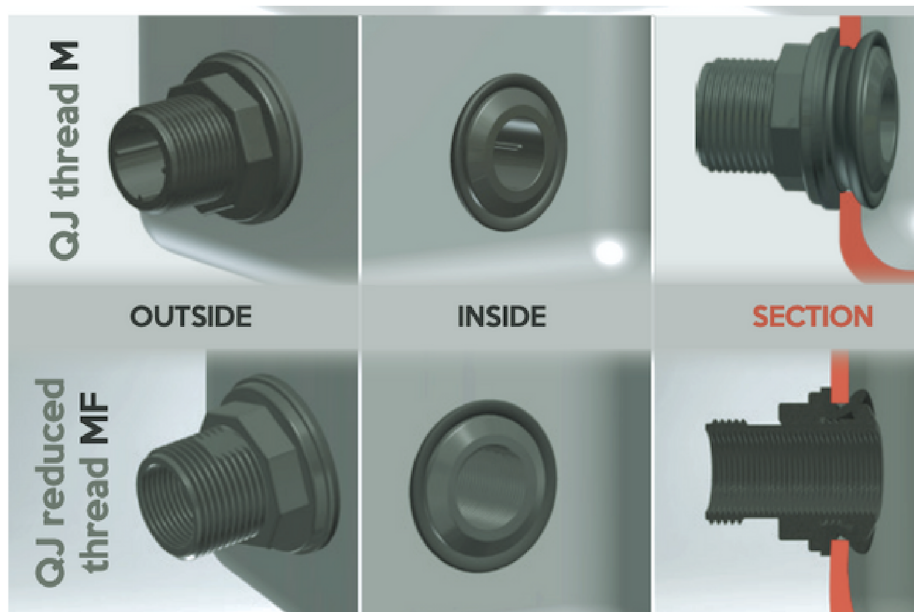
The reduced male female version is the ideal solution for inserting rigid internal suction pipes or external taps with a male thread.

The range features sizes 1/2" up to 2" with male or female threads.

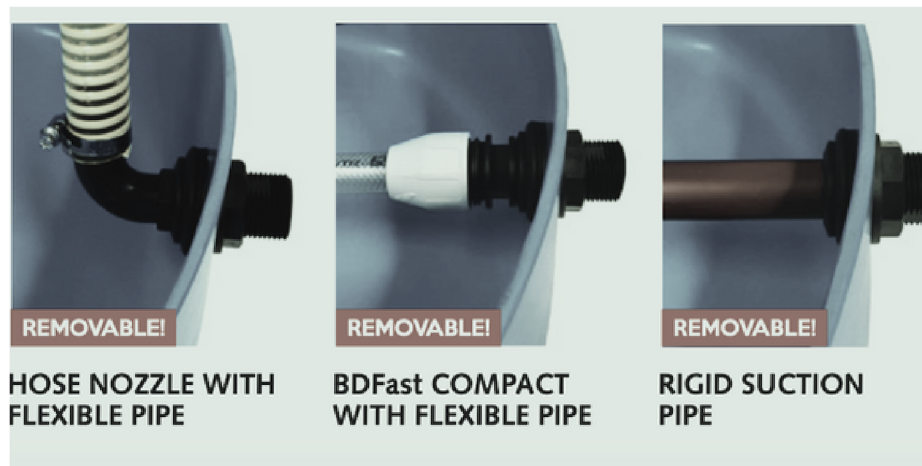
For more visit: plasson.com.au/bucchi-tank-fittings

BUCCCHI APPLICATIONS

- Water storage: tanks and plants
- Water supply: machines and equipment
- Yachting and caravans
- Chemical toilets
- Aggressive liquids: including gasoil and urea
- Automotive



POSSIBLE CONNECTIONS WITH QJ REDUCED THREAD MF



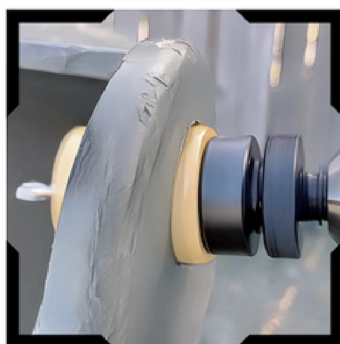
INSTALLATION

Gather the right tools, follow these instructions and enjoy installing at the speed of BUCCHI!

ADAPTOR SIZE	1/2"	3/4"	1"	1 1/4"	1 1/2"	2"
MALE THREAD EPDM	518001	5180002	5180003	5180004	5180005	5180006
M/F THREAD EPDM	5180007	5180008	5180009	5180010	5180011	5180012
M/F THREAD FPM	5180013	5180014	5180015	5180016	5180017	5180018
tank wall min thickness mm	2	2	2	4	4	4
tank wall max thickness mm	8	9	10	12	12	12
drill hole size mm	29	35	43	52	59	70



1 SELECT CORRECT SIZE BUCCHI TANK ADAPTOR



2 DRILL HOLE SIZE ACCORDING TO CHART OVERLEAF



3 INSERT SO ADAPTOR GASKET IS INSIDE THE TANK



4 TIGHTEN UNTIL GASKET IS FLAT AGAINST TANK WALL

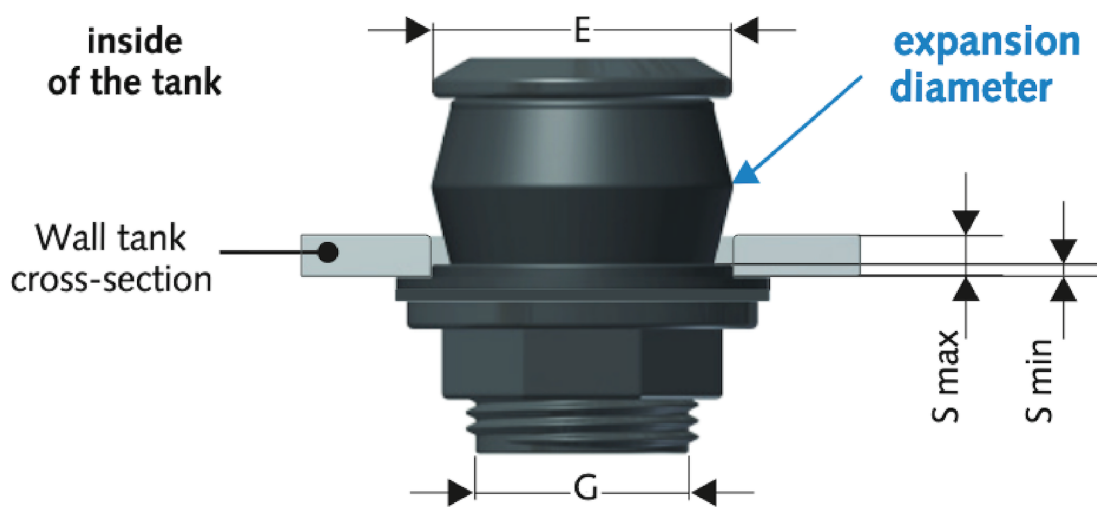


5 TIGHTEN WITH A WRENCH TO ENSURE SECURE SEAL

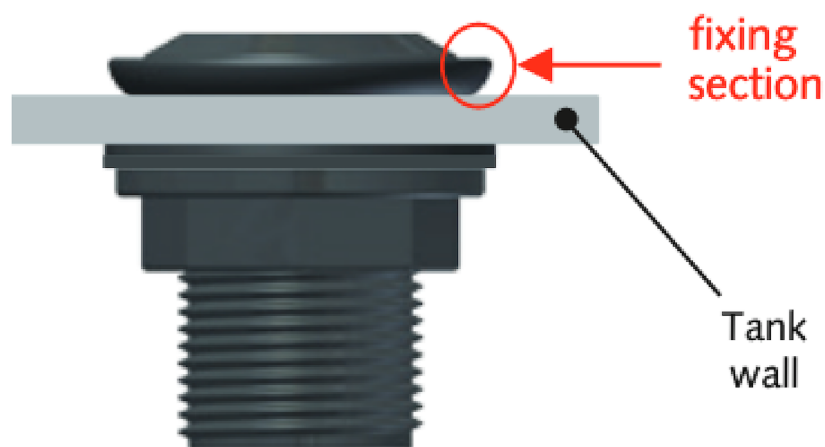


6 APPLY THREAD TAPE AND INSTALL PLASSON FITTINGS

BUCCHI TIPS

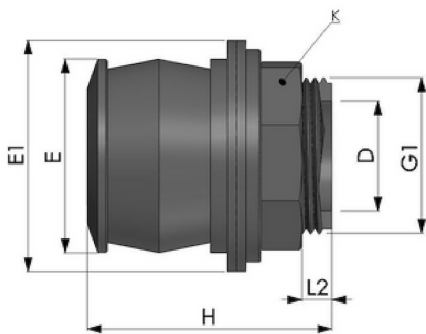


Ensure the expansion diameter is fully inside the tank to allow for correct expansion of the gasket



The expansion gasket seals the inside of the tank and joins the fitting to the tank wall

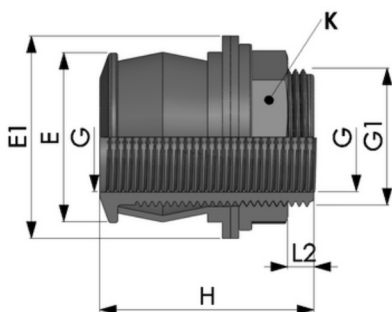
PRODUCT CODES



QUICK COUPLING FITTING for TANKS M male threaded and G1 with food EPDM GASKET, rigid flat PP RING, clamping COLLAR.

DIMENSIONS

Code	G1	E	E1	D	H	L2	K
5180001	1/2"	29	37	13	49	5	28
5180002	3/4"	35	43	18	52	4	32
5180003	1"	43	53	24	56	7	41
5180004	1 1/4"	52	62	29,5	65	6	50
5180005	1 1/2"	59	68	34,5	75	16	57
5180006	2"	70	80	34,5	91	31	70

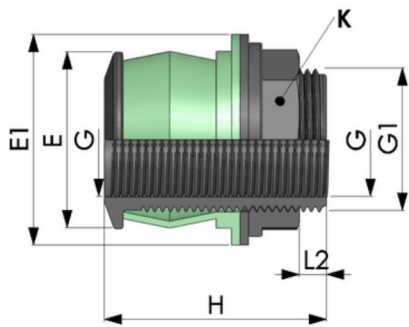


QJ® - QUICK PUSH-IN FITTING MF REDUCED for TANK in PP male threaded end G1 equipped with food-grade EPDM GASKET, rigid flat RING in PP, clamping COLLAR (black) - reduced female threaded end G

DIMENSIONS

Code	G1	G	E	E1	H	L2	K
5180007	1/2"	3/8"	29	38	49	5	28
5180008	3/4"	1/2"	35	43	52	4	32
5180009	1"	3/4"	43	53	56	7	41
5180010	1 1/4"	1"	52	62	65	6	50
5180011	1 1/2"	1 1/4"	59	68	75	16	57
5180012	2"	1 1/2"	70	80	91	31	70

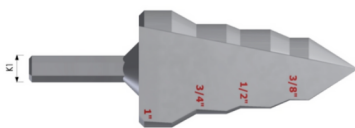
PRODUCT CODES



QUICK PUSH-IN FITTING MF REDUCED for TANK in PP JOINT en FPM

DIMENSIONS

Code	E	E1	G	G1	H	K	L2
5180013	29	37	3/8"	1/2"	49	28	5
5180014	35	43	1/2"	3/4"	52	32	4
5180015	43	53	3/4"	1"	56	41	7
5180016	52	62	1"	1 1/4"	65	50	6
5180017	59	68	1 1/4"	1 1/2"	75	57	16
5180018	70	80	1 1/2"	2"	91	70	31



5180019 7804 BUCCHI TIGHTENING WRENCH 1/2"

5180020 7805 BUCCHI TIGHTENING WRENCH 3/4"

5180021 7806 BUCCHI TIGHTENING WRENCH 1"

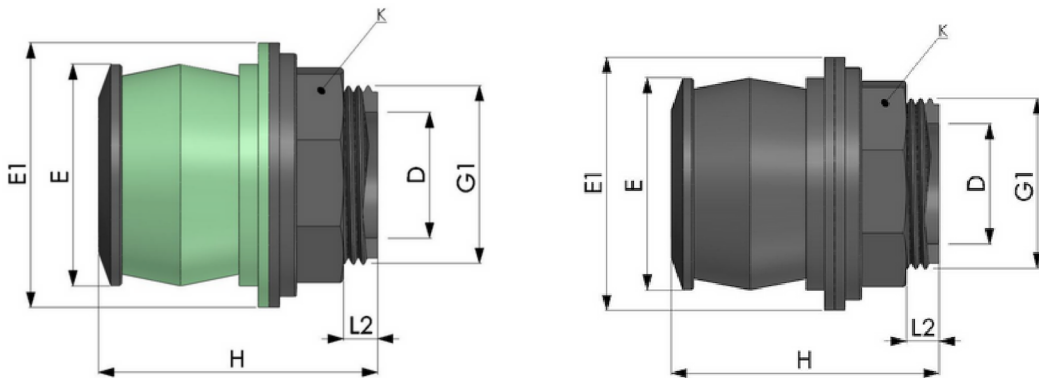
5180022 7807 BUCCHI TIGHTENING WRENCH 1.1/4"

5180023 7808 BUCCHI TIGHTENING WRENCH 1.1/2"

5180024 7809 BUCCHI TIGHTENING WRENCH 2"

5180025 7810 BUCCHI MILLING TOOL 1/2"-1"

TECHNICAL DETAIL



SPECIFICATIONS

Connectivity standard:

External thread cylindrical ISO 228/1

Internal thread cylindrical ISO 228/1

Material:

Polypropylene (PP)

EPDM

Color:

Black (RAL 9011)

Operating pressure:

4 bar at 20 ° C

Maximum working temperature:

80 ° C

FOR MORE INFORMATION

1300 752 776

www.plasson.com.au

