



This is a pump used for domestic hot water circulating. The Stainless steel housing makes it suitable for underfloor heating. It is maintenance free and is low in noise. Comes complete with 1-1/4" F x 3/4" F unions.

The pump is characterised by -

- Circulation body materials suitable for potable water
- 3 speed operation
- Flows to 42 l/min
- Heads to 6m

Liquid temperature: 2°C - 110°C

Materials: Pump body: Stainless Steel 304 SS

Impeller: Corrosion resistant composite PPO

Back Plate and Rotor Can: Stainless Steel 304 SS

Unions: 1-1/4" F x 3/4" F" Stainless Steel 304 SS

Installation: Maximum ambient temperature: 40°C

Maximum Operating Pressure: 10 bar

Port spacing: 150mm

Port size: 1-1/4" BSPM

(3/4" BSPF if used with supplied unions)

Electrical Data: 230V

Mains Frequency: 50Hz

Power consumption speeds: 1,2,3 55W 70W 100W

Motor: Continuous

Motor type: Canned rotor

Ingress Protection: IP44

Power cable: 1m



**Bianco Pumpz 2 Year Warranty**

*Also available:*  
 BIA-C2580-180  
 BIA-C1509-160  
 BIA-ICIRC150  
 BIA-C3280-180



This is a pump used for domestic hot water circulating. The Stainless steel housing makes it suitable for underfloor heating. It is maintenance free and is low in noise. Comes complete with 1-1/2" F x 1" F unions.

The pump is characterised by -

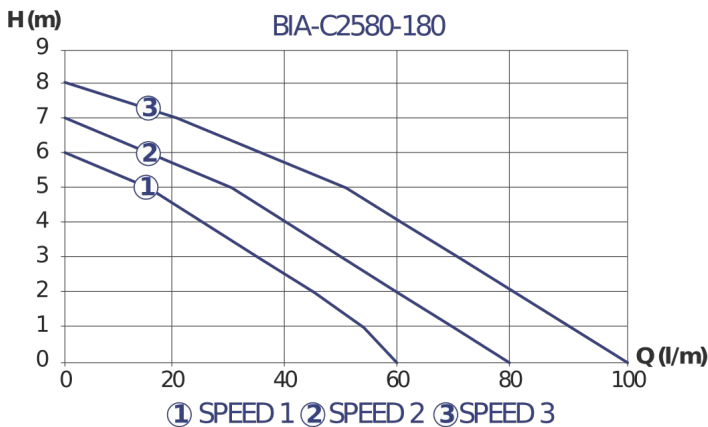
- Circulation body materials suitable for potable water
- 3 speed operation
- Flows to 100 l/min
- Heads to 8m

Liquid temperature: 2°C - 110°C  
 Materials: Pump body: Stainless Steel 304 SS  
 Impeller: Corrosion resistant composite PPO Back Plate and Rotor Can: Stainless Steel 304 SS  
 Unions: 1-1/2" F x 1" F Unions Stainless Steel 304 SS

Installation: Maximum ambient temperature: 40°C  
 Maximum Operating Pressure: 10 bar  
 Port spacing: 180mm  
 Port size: 1-1/2" BSPM  
 (1" BSPF if used with supplied unions)

Electrical Data: 230V  
 Mains Frequency: 50Hz  
 Power consumption speeds: 1,2,3  
 135W 190W 245W  
 Motor: Continuous  
 Motor type: Canned rotor  
 Ingress Protection: IP44  
 Power cable: 1m

**Bianco Pumpz 2 Year Warranty**



*Also available*  
 BIA-C2060-150  
 BIA-C1509-160  
 BIA-ICIRC150  
 BIA-C3280-180



This is a pump used for domestic hot water circulating. The Stainless steel housing makes it suitable for underfloor heating. It is maintenance free and is low in noise. Comes complete with 2" F x 1-1/4" F unions.

The pump is characterised by -

- Circulation body materials suitable for potable water
- 3 speed operation
- Flows to 134 l/min
- Heads to 8m

Liquid temperature: 2°C - 110°C

Materials: Pump body: Stainless Steel 304 SS

Impeller: Corrosion resistant composite PPO

Back Plate and Rotor Can: Stainless Steel 304 SS

Unions: 2" F x 1-1/4" F Unions Stainless Steel 304 SS

Installation: Maximum ambient temperature: 40°C

Maximum Operating Pressure: 10 bar

Port spacing: 180mm

Port size: 2" BSPM

(1-1/4" BSPF if used with supplied unions)

Electrical Data: 230V

Mains Frequency: 50Hz

Power consumption speeds: 1,2,3

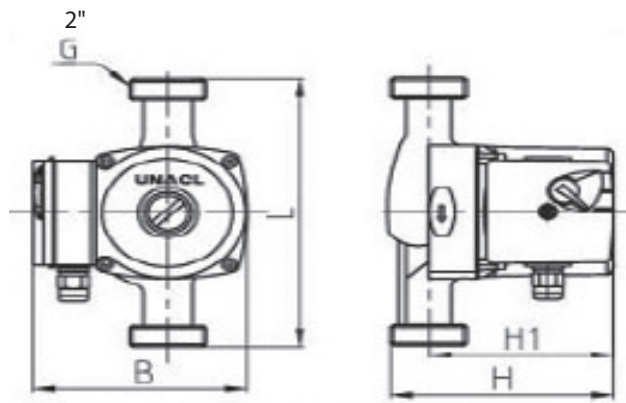
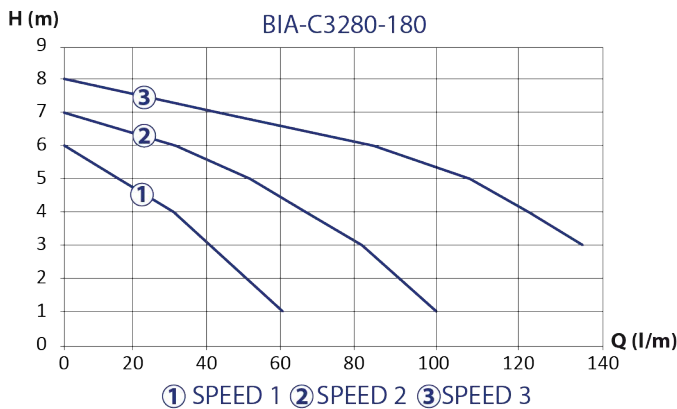
135W 190W 245W

Motor: Continuous

Motor type: Canned rotor

Ingress Protection: IP44

Power cable: 1m



Also available  
 BIA-C2060-150  
 BIA-C1509-160  
 BIA-ICIRC150  
 BIA-C3280-180





This is a pump used for domestic hot water boosting. Recommended for use with low pressure or gravity fed domestic pressure system.

The pump is characterised by -

- Automatic operation controlled by flow switch
- Circulation body materials suitable for potable water
- 1 speed operation
- Flows to 30 l/min
- Heads to 9m

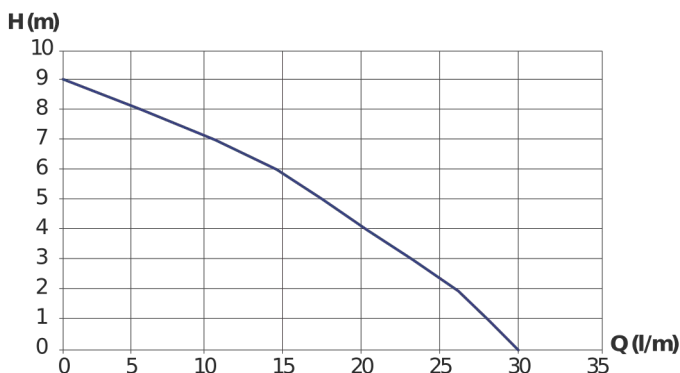
Liquid temperature: Maximum 60°C  
Materials: Pump body: Stainless Steel 304

Impeller: Corrosion resistant composite PPO Back Plate and Rotor Can: Stainless Steel 304 Unions: Stainless Steel 304

Installation: Maximum ambient temperature: 40°C  
Maximum Operating Pressure: 6 bar  
Port spacing: 160mm  
Port size: 3/4" BSPM  
(1/2" BSPM if used with supplied unions)

Electrical Data: 230V  
Mains Frequency: 50Hz  
Power consumption speeds: 120W  
Motor: Continuous  
Motor type: Canned rotor  
Ingress Protection: IP42  
Power cable: 1m

**Bianco Pumpz 2 Year Warranty**



BIA-C1509-160

*Also available*  
BIA-C2060-150  
BIA-C2580-180  
BIA-ICIRC150  
BIA-C3280-180





This is a pump used for domestic hot water circulating. The Stainless steel housing makes it suitable for underfloor heating. It is maintenance free and is low in noise. Comes complete with unions. High Efficiency Class A motor. Closed loop VFD motor.

**The pump is characterised by -**

- Circulation body materials suitable for potable water
- 8 operating modes plus night setback
- Flows to 54 l/min
- Heads to 6m

**Liquid temperature:** 2°C - 110°C

Materials: Pump body: Stainless Steel 304 SS

Impeller: Corrosion resistant composite PPO

Back Plate and Rotor Can: Stainless Steel 304 SS

Unions: Stainless Steel 304 SS

**Installation:**

Maximum ambient temperature: 40°C

Maximum Operating Pressure: 10 bar

Port spacing: 150mm

Port size: 1-1/2" BSPM

(1" BSPF if used with supplied unions)

Electrical Data: 230V, .38A max, 45W

Mains Frequency: 50Hz

High efficiency Class A

Settings: AUTO (Self adapting), Proportional Pressure,

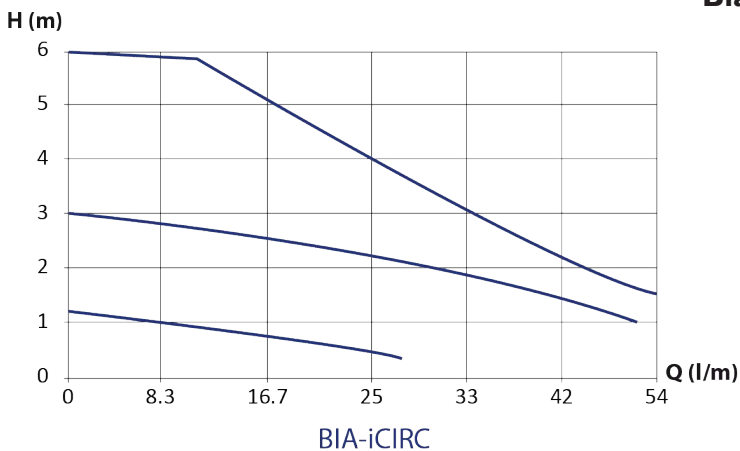
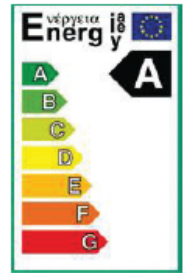
Constant Pressure, Constant Speed, Variable Speed

Motor: Continuous

Motor type: Canned rotor

Ingress Protection: IP42

Power cable: 1m



**Bianco Pumpz 2 Year Warranty**