

PROJECT: _____	UNIT TAG: _____	QUANTITY: _____
REPRESENTATIVE: _____	TYPE OF SERVICE: _____	DATE: _____
ENGINEER: _____	SUBMITTED BY: _____	DATE: _____
CONTRACTOR: _____	APPROVED BY: _____	DATE: _____
	ORDER NO.: _____	DATE: _____

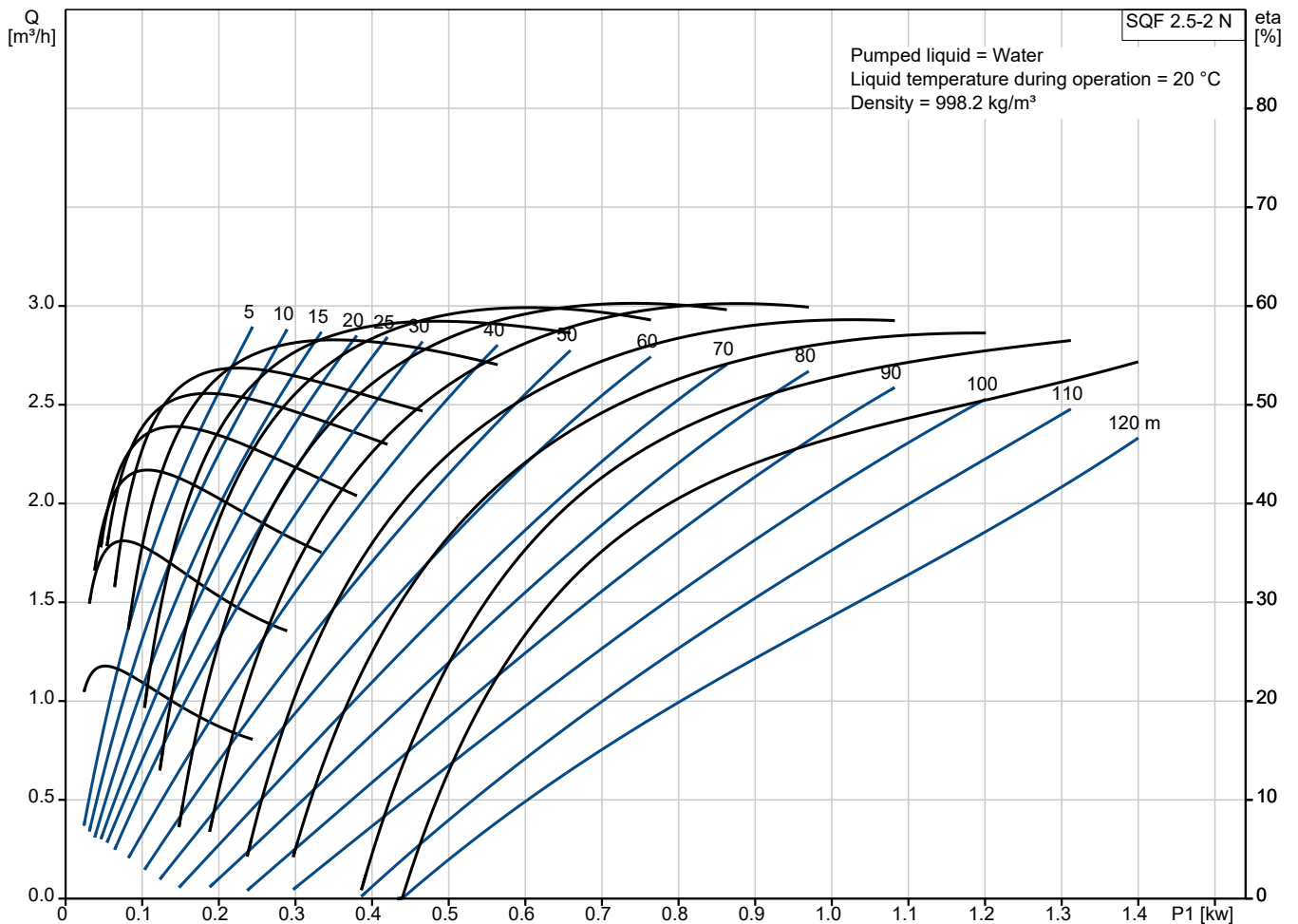


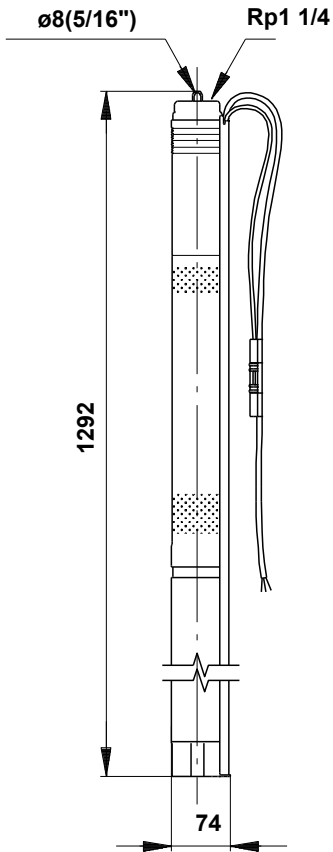
## SQF 2.5-2 N

Renewable energy submersible pumps with built in inverter for solar, wind and AC powersource. Runs on both AC and DC voltage

Note! Product picture may differ from actual product

Conditions of Service		Pump Data		Motor Data	
Liquid:	Water	Liquid max temp:	40 °C	Enclosure class:	IP68
Temperature:	20 °C	Product number:	99612494	Insulation class:	F
Specific Gravity:	1.000			Motor protection:	Y
				Thermal protection:	internal
				Motor type:	MSF3N





**Materials:**

Pump: Stainless steel

Pump: DIN W.-Nr. 1.4401

Pump: AISI 316

Impeller: DIN W.-Nr. 1.4401

Qty.	Description
------	-------------

1	SQF 2.5-2 N
---	-------------



**Note! Product picture may differ from actual product**

Product No.: [99612494](#)

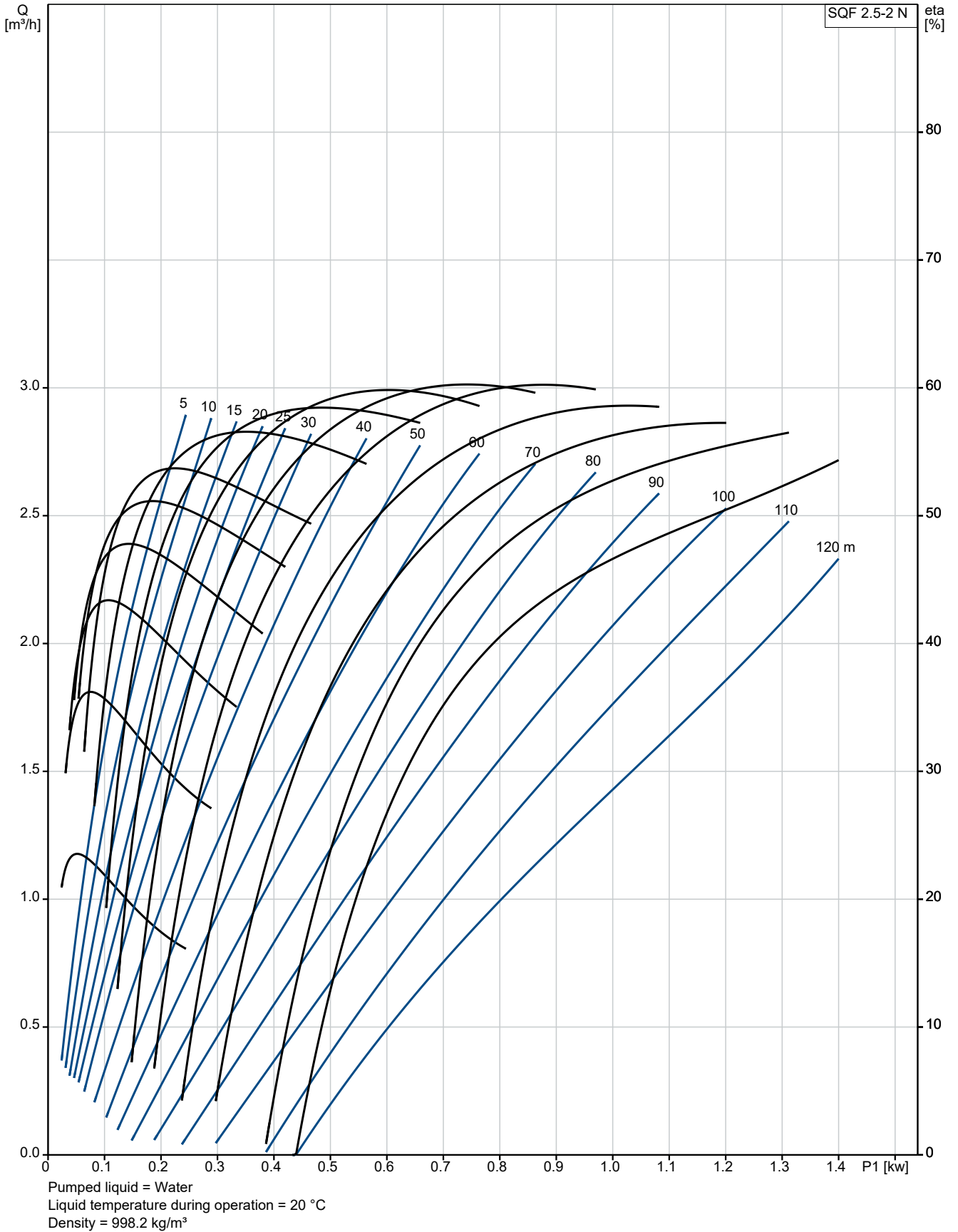
The 3" SQFlex centrifugal pump is for medium heads and flow rates.

The SQFlex system is a reliable water supply system based on renewable energy sources, such as solar and wind energy.

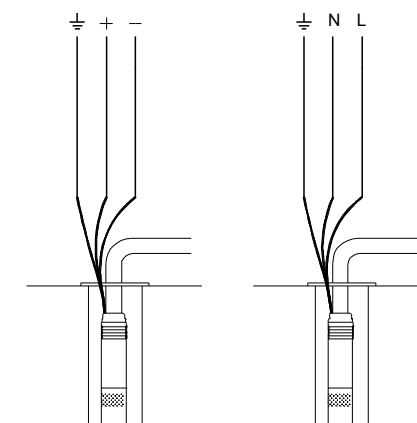
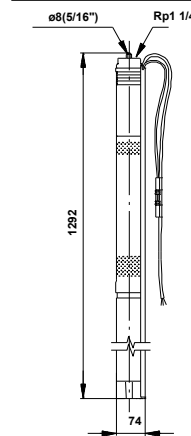
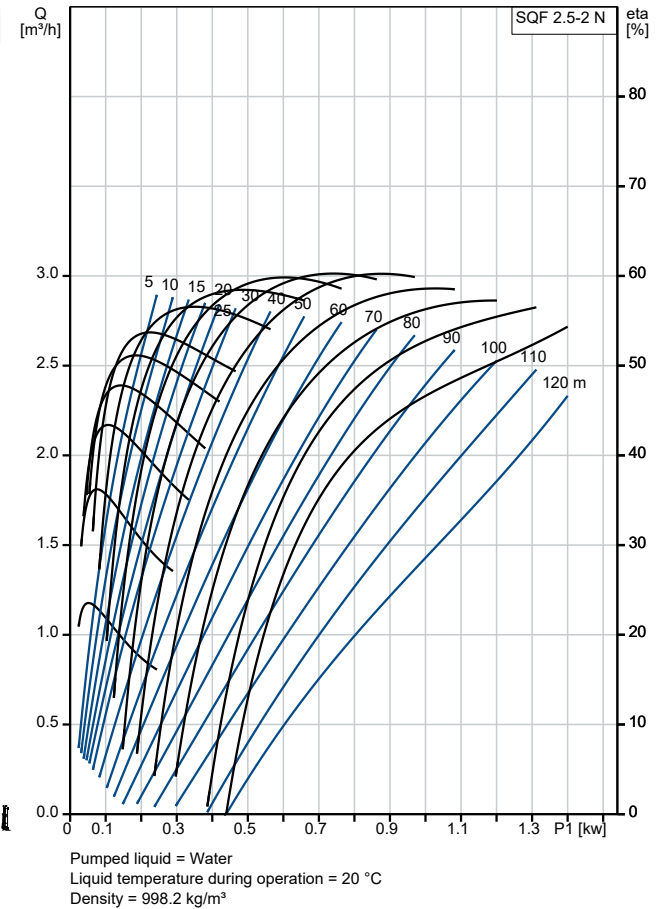
Thanks to its flexible energy supply and performance, the SQFlex system can be combined and adapted to meet any need on the installation site.

The SQFlex system has a wide voltage range, built-in maximum power point tracking (MPPT) as well as dry-running, voltage and overload protection.

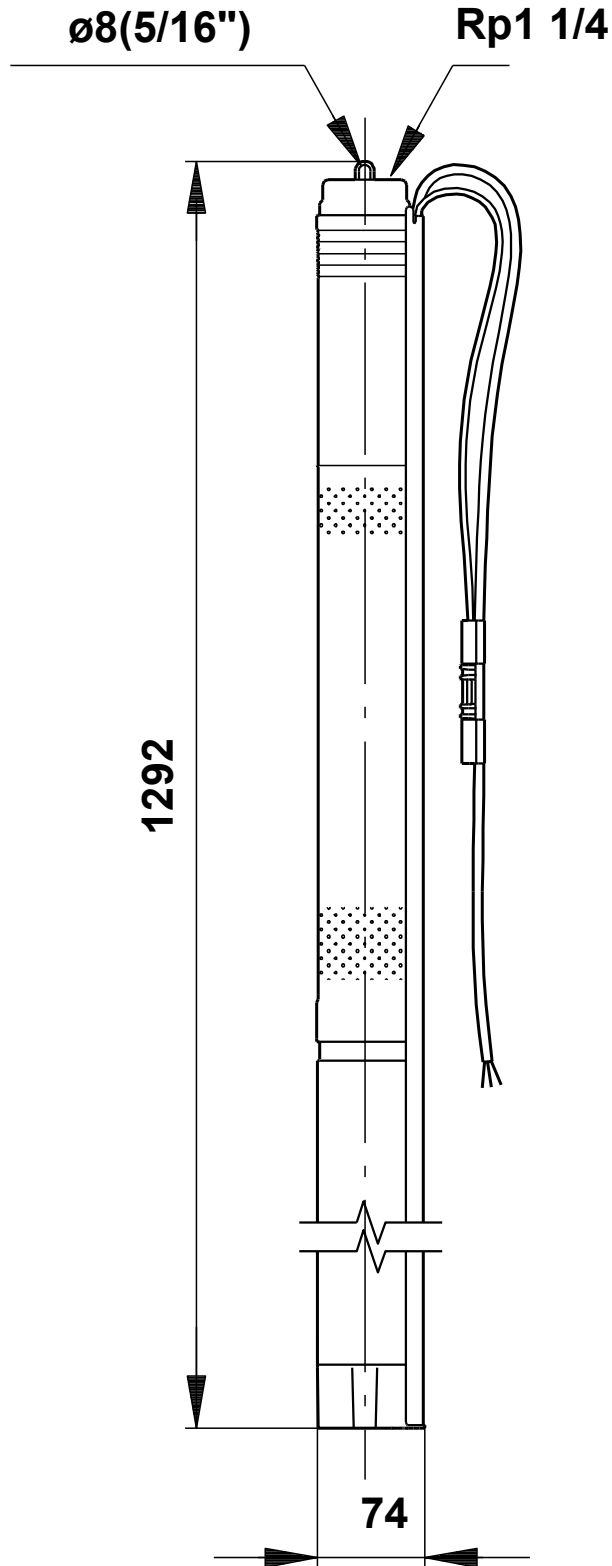
## 99612494 SQF 2.5-2 N



Description	Value
<b>General information:</b>	
Product name:	SQF 2.5-2 N
Product No:	99612494
EAN number:	5713831900122
<b>Technical:</b>	
Stages:	2
Approvals:	UKCA,CE,EAC,CN RoHS Exempt,Morocco, Sepro
Pump No:	95027415
Valve:	pump with built-in non-return valve
Zinc Anodes:	Yes, pump and motor
<b>Materials:</b>	
Pump:	Stainless steel
Pump:	DIN W.-Nr. 1.4401
Pump:	AISI 316
Impeller:	DIN W.-Nr. 1.4401
<b>Installation:</b>	
Maximum ambient pressure:	15 bar
Pump outlet:	Rp 1 1/4
Minimum borehole diameter:	76 mm
<b>Liquid:</b>	
Pumped liquid:	Water
Liquid max temp:	40 °C
Selected liquid temperature:	20 °C
Density:	998.2 kg/m <sup>3</sup>
<b>Electrical data:</b>	
Motor type:	MSF3N
Power input - P1:	1.4 kW
Rated voltage ac:	1 x 90-240 V
Rated voltage dc:	30-300 V
Rated current:	8.4 A
Power factor:	1.0
Rated speed:	3600 rpm
Start. method:	direct-on-line
Enclosure class (IEC 34-5):	IP68
Insulation class (IEC 85):	F
Built-in motor protection:	Y
Thermal protec:	internal
Length of cable:	2 m
Motor No:	96275341
Udc:	300 V
Udc:	30 V
<b>Others:</b>	
Minimum efficiency index, MEI ≥:	---
Net weight:	7.32 kg
Gross weight:	10.5 kg
Shipping volume:	0.024 m <sup>3</sup>
Sales region:	Australia
Country of origin:	MX
Custom tariff no.:	84137090621519197

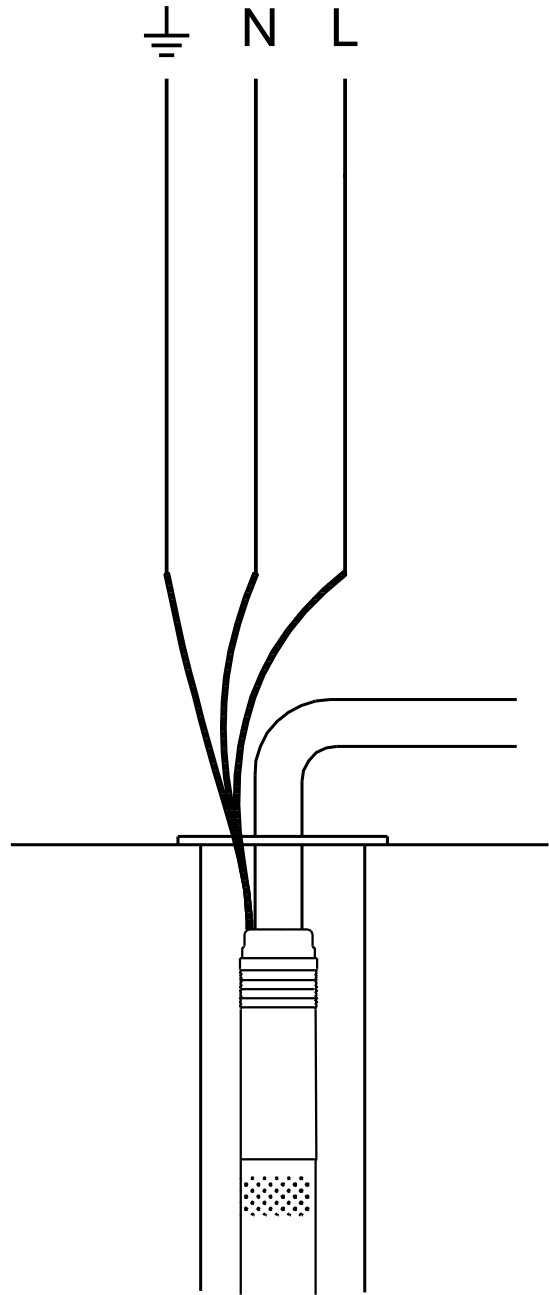
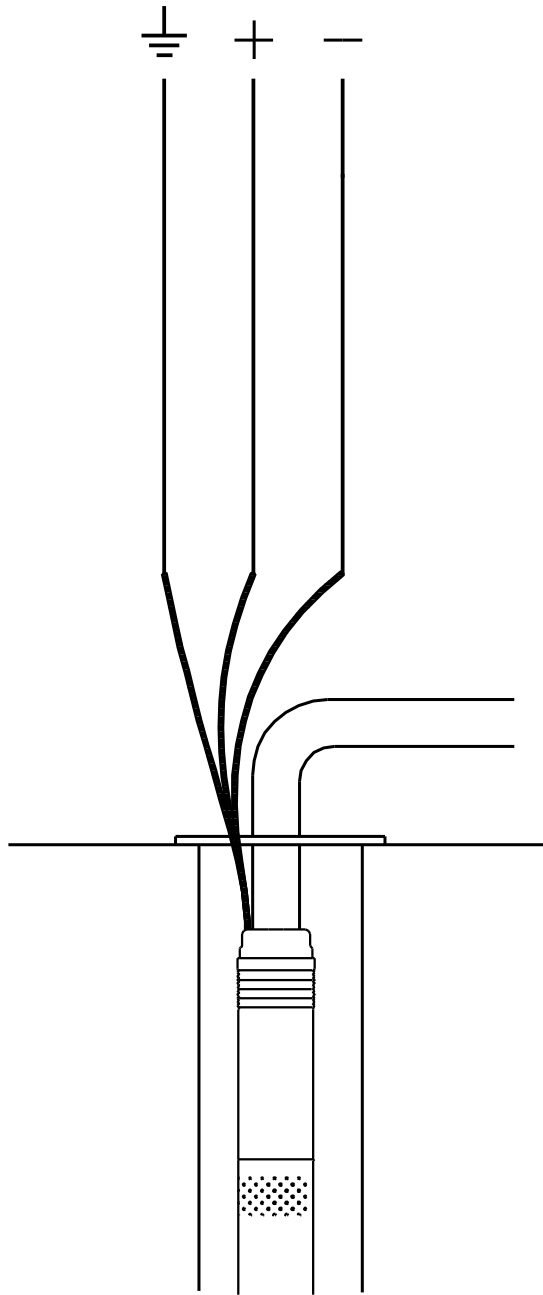


**99612494 SQF 2.5-2 N**



Note! All units are in [mm] unless others are stated.  
Disclaimer: This simplified dimensional drawing does not show all details.

**99612494 SQF 2.5-2 N**



Note! All units are in [mm] unless others are stated.

