

Qty. Description

1 JP 3-42 PM1



Note! Product picture may differ from actual product

Product No.: [99463898](#)

Grundfos JP 3-42 PM1 booster consists of a Grundfos JP pump and a pressure manager. The JP 3-42 PM1 provides the comfort of constant water pressure with automatic start and stop matched to consumption by the intelligent pressure manager. The pressure manager starts the pump at 1.5 bar and the pump keeps running as long as there is flow.

The design is robust and built upon corrosion-free materials to ensure a long lifetime. This booster set ensures optimum self-priming properties, featuring a suction-lift up to 8 meters. The self-priming pump also ensures a stable operation as it is able to lift liquid from below the inlet level and can handle a mix of air and liquid until the pump reaches a fully-primed pumping condition.

The JP 3-42 PM1 incorporates dry running protection that automatically stops the pump in case of dry running. This means lower risk of pump damage and lower maintenance costs. The anti-cycling function will stop the pump in time in case of a minor leakage in the system, or if a tap has not been closed completely. When cycling occurs, the pump stops, and an alarm will be indicated. A non-return valve for backflow prevention is already integrated.

The JP pump has built-in thermal protection, which immediately stops the pump if it overheats. The motor is air cooled and equipped with oversized, sealed, greased-for-life ball bearings to ensure silent operation and minimum service.

Controls:
Type of connector: Type I (AS/NZS 3112)

Liquid:
Pumped liquid: Water
Liquid temperature range: 273 .. 313 K
Selected liquid temperature: 293 K
Density: 998.2 kg/m³

Technical:
Rated flow: 3 m³/h
Rated head: 36.5 m
Code for shaft seal: BBVP
Approvals: CE,RCM
Curve tolerance: ISO9906:2012 3B
Adjustable start pressure: N
Start pressure: 150 kPa
Rated speed: 2800 rpm

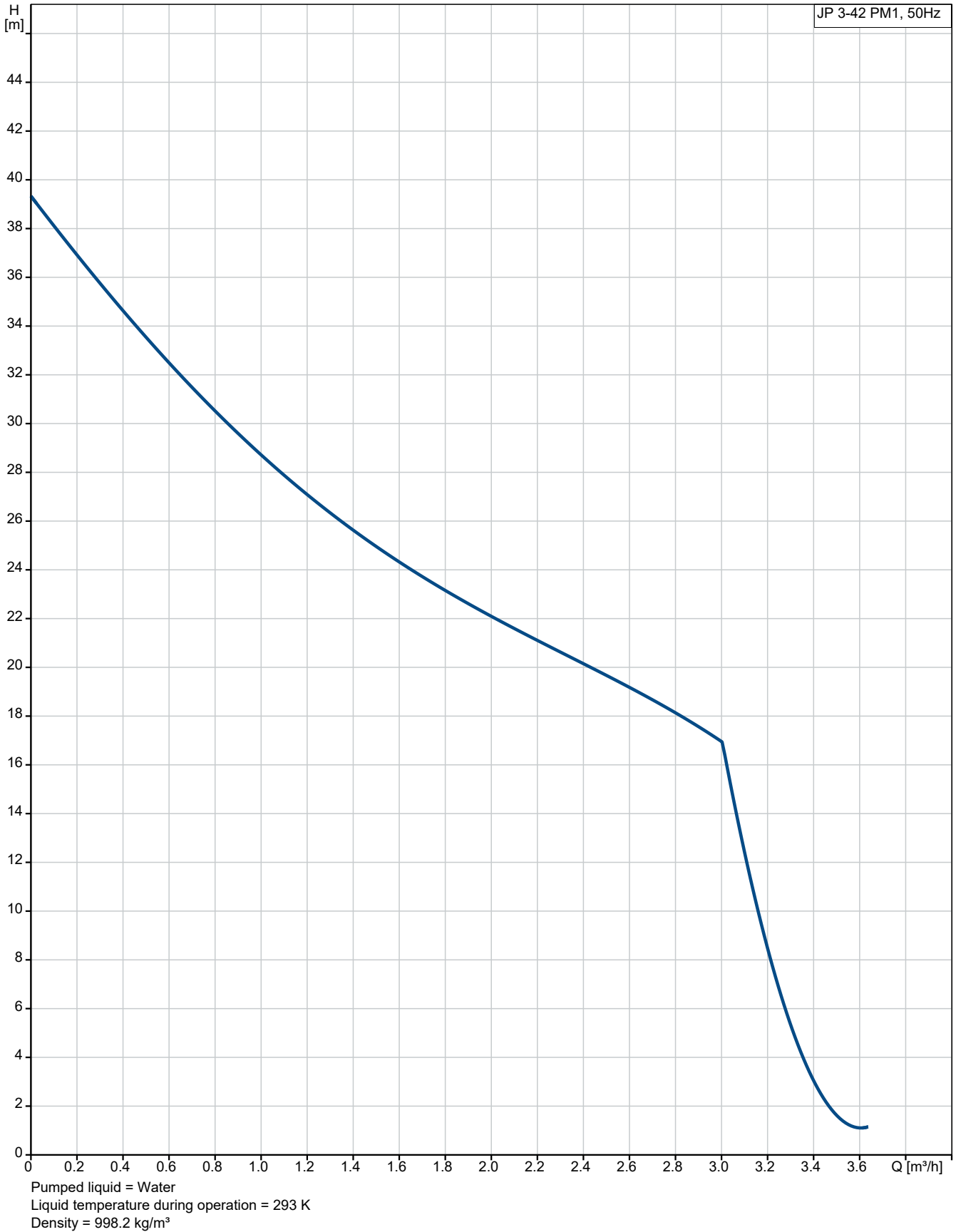
Materials:
Pump housing: Stainless steel

Qty.	Description
1	<p>EN 1.4301 AISI 304 Impeller: Composite PPO-20GF</p> <p>Installation: Range of ambient temperature: 273 .. 313 K Maximum operating pressure: PN 6 bar Pipe connection standard: ISO 228-1 Type of inlet connection: G(F) Type of outlet connection: G(F) Size of inlet connection: 1 inch Size of outlet connection: 1 inch Pressure rating for connection: PN 6</p> <p>Electrical data: Power input P1: 720 W Rated power - P2: 0.447 kW Mains frequency: 50 Hz Rated voltage: 1 x 230 V Rated current: 3.1 A Starting current: 9.2 A Rated speed: 2800 rpm Capacitor size - run: 12 µF/450 V Enclosure class (IEC 34-5): IP44 Insulation class (IEC 85): F Length of cable: 1.5 m Power plug: AU</p> <p>Others: Net weight: 8.4 kg Gross weight: 12.6 kg Country of origin: CN Custom tariff no.: 8413709062 Environmental approvals: WEEE</p>

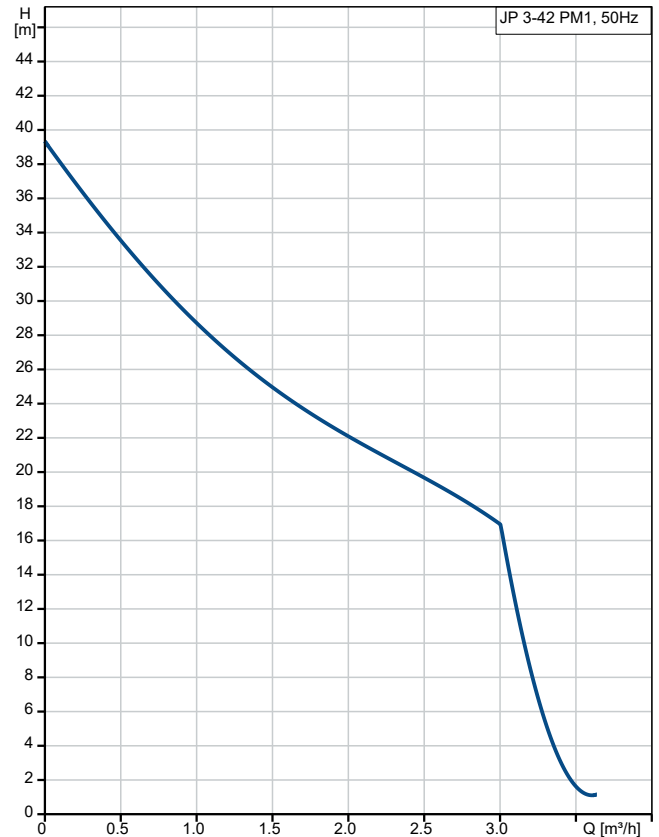


Company name: Land and Water Technology
Created by:
Phone: 08 9209 3330
Email: orders@landwater.com.au
Date: 2/16/2023

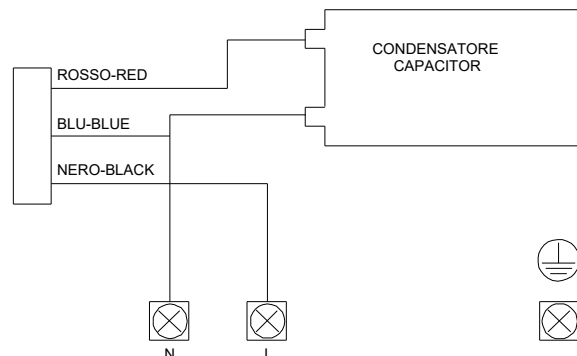
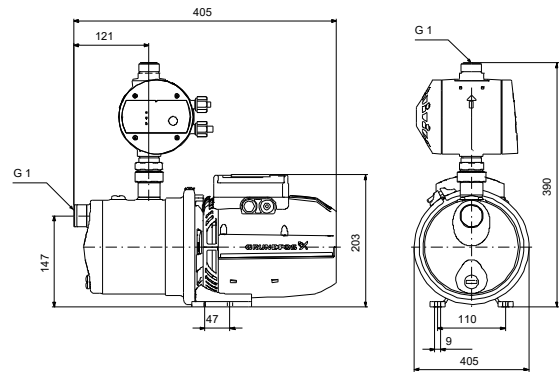
99463898 JP 3-42 PM1 50 Hz



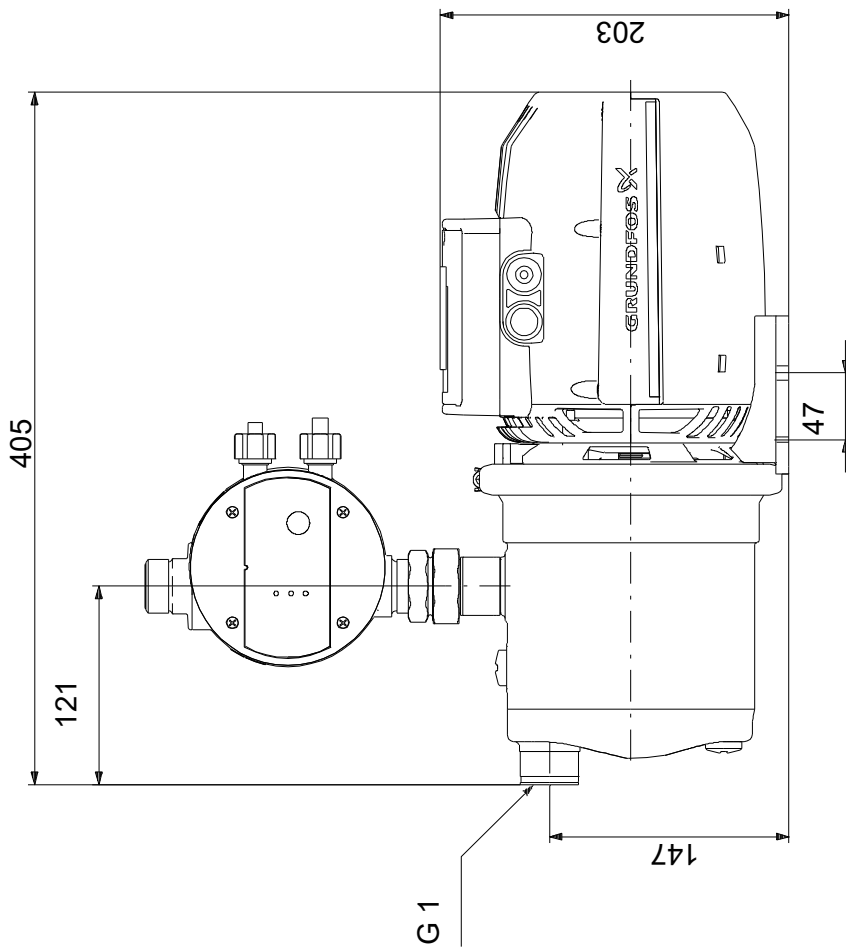
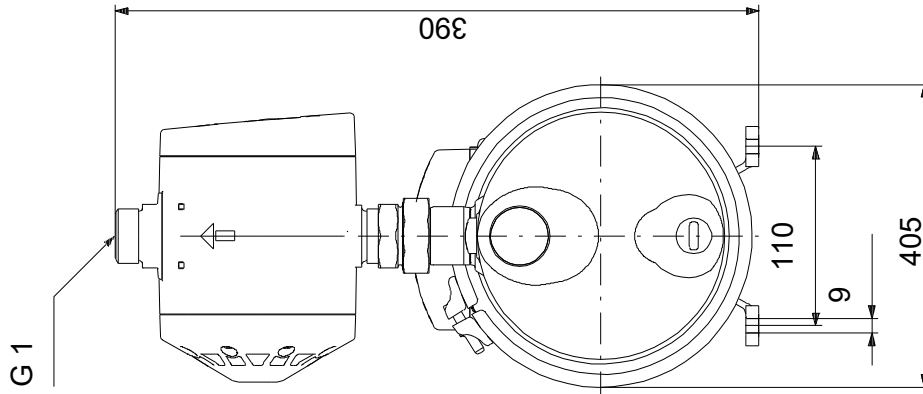
Description	Value
General information:	
Product name:	JP 3-42 PM1
Product No:	99463898
EAN number:	5713829542686
Technical:	
Rated flow:	3 m³/h
Rated head:	36.5 m
Code for shaft seal:	BBVP
Approvals:	CE,RCM
Curve tolerance:	ISO9906:2012 3B
Pump version:	A
Adjustable start pressure:	N
Start pressure:	150 kPa
Rated speed:	2800 rpm
Materials:	
Pump housing:	Stainless steel
Pump housing:	EN 1.4301
Pump housing:	AISI 304
Impeller:	Composite
Impeller:	PPO-20GF
Material code:	A
Installation:	
Range of ambient temperature:	273 .. 313 K
Maximum operating pressure:	PN 6 bar
Pipe connection standard:	ISO 228-1
Type of inlet connection:	G(F)
Type of outlet connection:	G(F)
Size of inlet connection:	1 inch
Size of outlet connection:	1 inch
Pressure rating for connection:	PN 6
Liquid:	
Pumped liquid:	Water
Liquid temperature range:	273 .. 313 K
Selected liquid temperature:	293 K
Density:	998.2 kg/m³
Electrical data:	
Power input P1:	720 W
Rated power - P2:	0.447 kW
Mains frequency:	50 Hz
Rated voltage:	1 x 230 V
Rated current:	3.1 A
Starting current:	9.2 A
Rated speed:	2800 rpm
Capacitor size - run:	12 µF/450 V
Enclosure class (IEC 34-5):	IP44
Insulation class (IEC 85):	F
Length of cable:	1.5 m
Power plug:	AU
Controls:	
Type of connector:	Type I (AS/NZS 3112)
Others:	
Net weight:	8.4 kg
Gross weight:	12.6 kg
Country of origin:	CN
Custom tariff no.:	8413709062
Environmental approvals:	WEEE



Pumped liquid = Water
 Liquid temperature during operation = 293 K
 Density = 998.2 kg/m³



99463898 JP 3-42 PM1 50 Hz



Note! All units are in [mm] unless others are stated.
 Disclaimer: This simplified dimensional drawing does not show all details.