

**Qty. Description**

1 JP 4-47 PT-V



**Note! Product picture may differ from actual product**

Product No.: [99463895](#)

Grundfos JP 4-47 PT-V consist of a Grundfos JP pump, a pressure switch, a pressure gauge and a Grundfos GT-H 18-litre vertical diaphragm pressure tank. The pressure tank reduces water hammer in the pipework.

The JP 4-47 PT-V provides the comfort of constant water pressure with automatic start and stop.

This is controlled by the pressure switch and pressure tank combined ensuring optimal start/stop of the booster set according to demand.

The pressure tank limits the number of start/stop routines, as water stored in the tank can be used without starting the pump in cases of low water consumption or leakage loss.

The cut-in pressure is set to 2.2 bar.

The design is robust and built upon corrosion-free materials to ensure a long lifetime.

This booster set ensures optimum self-priming properties, featuring a suction-lift up to 8 meters.

The self-priming pump also ensures a stable operation as is it able to lift liquid from below the inlet level and can handle a mix of air and liquid until the pump reaches a fully-primed pumping condition.

The JP 4-47 PT-V booster set has built-in thermal protection, which immediately stops the pump if it overheats. The motor is air cooled and equipped with oversized, sealed, greased-for-life ball bearings to ensure silent operation and minimum service.

**Controls:**

Type of connector: Type I (AS/NZS 3112)

**Liquid:**

Pumped liquid: Water  
 Liquid temperature range: 273 .. 313 K  
 Selected liquid temperature: 293 K  
 Density: 998.2 kg/m<sup>3</sup>

**Technical:**

Rated flow: 4 m<sup>3</sup>/h  
 Rated head: 41 m  
 Code for shaft seal: BBVP  
 Approvals: CE,RCM  
 Curve tolerance: ISO9906:2012 3B  
 Adjustable start pressure: Y  
 Start pressure: 1.0 - 5.0 bar  
 Tank volume: 20 l  
 Rated speed: 2800 rpm

**Materials:**

Pump housing: Stainless steel  
 EN 1.4301



**Company name:** Land and Water Technology  
**Created by:**  
**Phone:** 08 9209 3330  
**Email:** orders@landwater.com.au  
**Date:** 2/16/2023

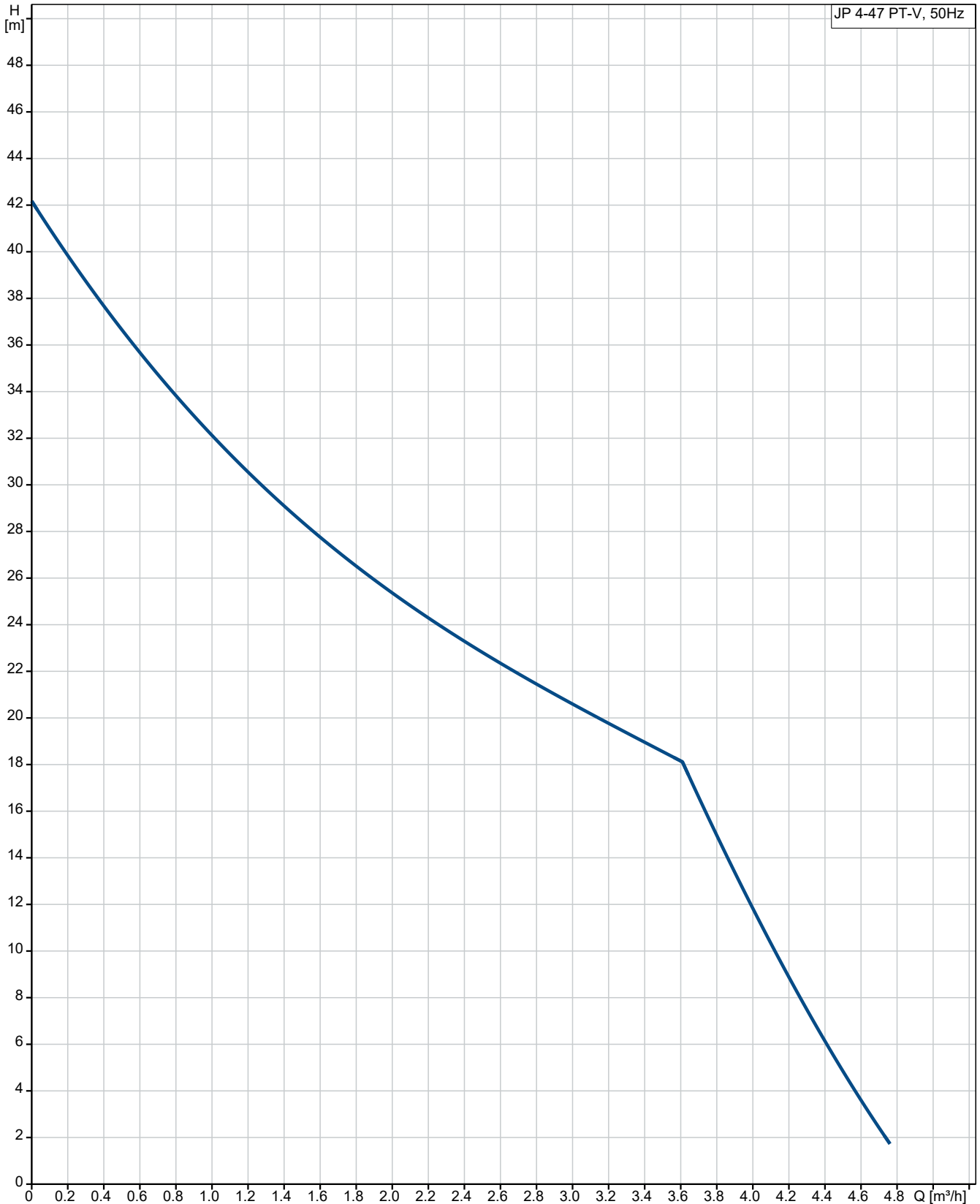
**Qty. Description**

1	Impeller:	AISI 304 Composite PPO-20GF
	Installation:	
	Range of ambient temperature:	273 .. 313 K
	Maximum operating pressure:	PN 6 bar
	Pipe connection standard:	ISO 228-1
	Type of inlet connection:	G(F)
	Type of outlet connection:	G(F)
	Size of inlet connection:	1 inch
	Size of outlet connection:	1 inch
	Pressure rating for connection:	PN 6
	Electrical data:	
	Power input P1:	850 W
	Rated power - P2:	0.56 kW
	Mains frequency:	50 Hz
	Rated voltage:	1 x 230 V
	Rated current:	3.8 A
	Starting current:	11.3 A
	Rated speed:	2800 rpm
	Capacitor size - run:	12 µF/450 V
	Enclosure class (IEC 34-5):	IP44
	Insulation class (IEC 85):	F
	Length of cable:	1.5 m
	Power plug:	AUS
	Others:	
	Net weight:	15.8 kg
	Gross weight:	0 kg
	Country of origin:	CN
	Custom tariff no.:	8413709062
	Environmental approvals:	WEEE



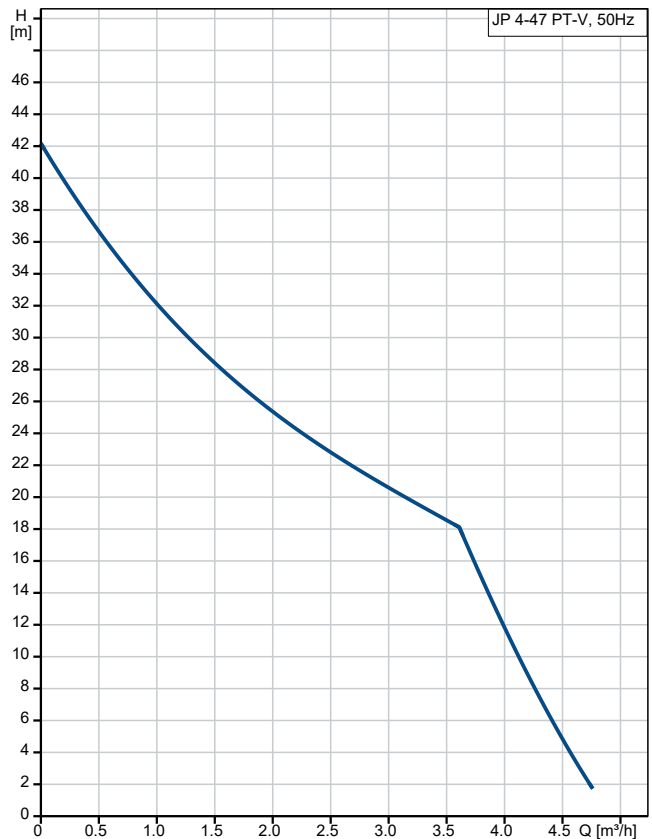
Company name: Land and Water Technology  
Created by:  
Phone: 08 9209 3330  
Email: orders@landwater.com.au  
Date: 2/16/2023

### 99463895 JP 4-47 PT-V 50 Hz

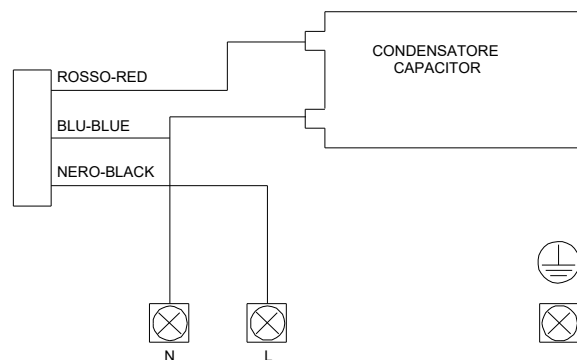
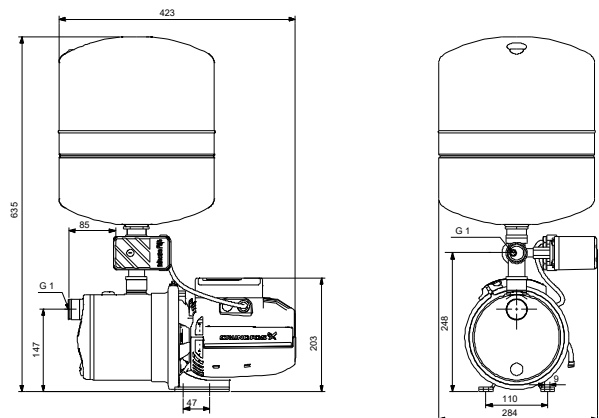


Pumped liquid = Water  
Liquid temperature during operation = 293 K  
Density = 998.2 kg/m³

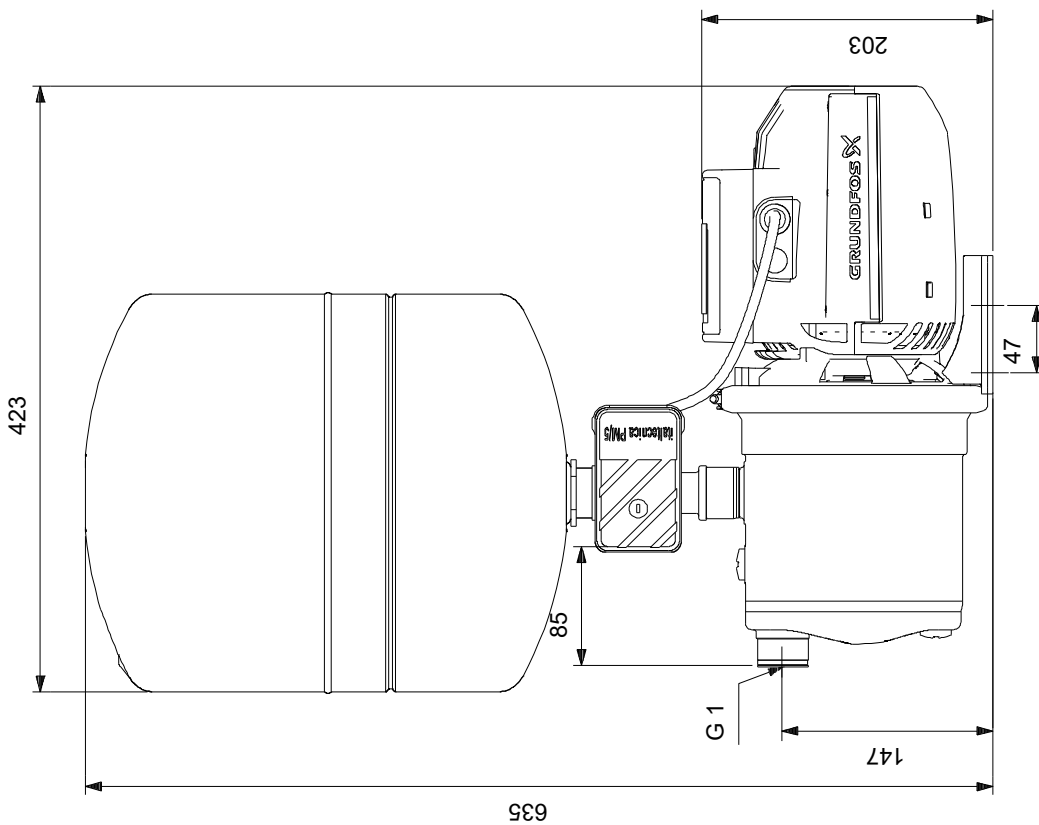
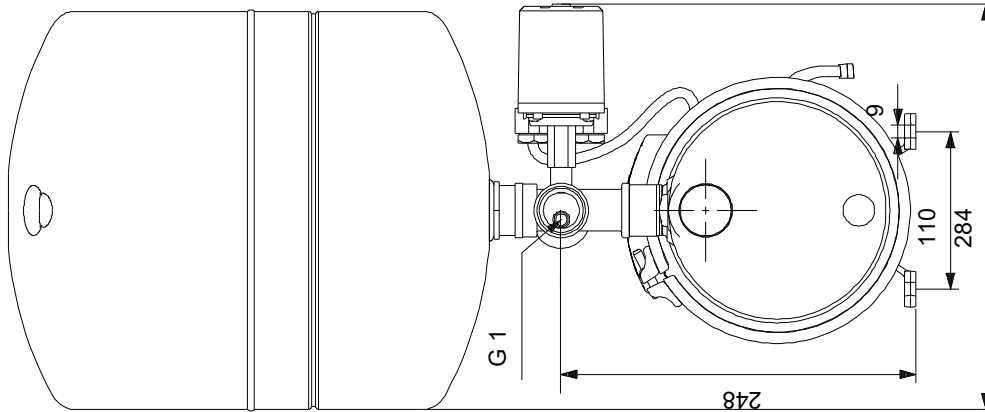
Description	Value
<b>General information:</b>	
Product name:	JP 4-47 PT-V
Product No:	99463895
EAN number:	5713829542655
<b>Technical:</b>	
Rated flow:	4 m <sup>3</sup> /h
Rated head:	41 m
Code for shaft seal:	BBVP
Approvals:	CE,RCM
Curve tolerance:	ISO9906:2012 3B
Pump version:	A
Adjustable start pressure:	Y
Start pressure:	1.0 - 5.0 bar
Tank volume:	20 l
Rated speed:	2800 rpm
<b>Materials:</b>	
Pump housing:	Stainless steel
Pump housing:	EN 1.4301
Pump housing:	AISI 304
Impeller:	Composite
Impeller:	PPO-20GF
Material code:	A
<b>Installation:</b>	
Range of ambient temperature:	273 .. 313 K
Maximum operating pressure:	PN 6 bar
Pipe connection standard:	ISO 228-1
Type of inlet connection:	G(F)
Type of outlet connection:	G(F)
Size of inlet connection:	1 inch
Size of outlet connection:	1 inch
Pressure rating for connection:	PN 6
<b>Liquid:</b>	
Pumped liquid:	Water
Liquid temperature range:	273 .. 313 K
Selected liquid temperature:	293 K
Density:	998.2 kg/m <sup>3</sup>
<b>Electrical data:</b>	
Power input P1:	850 W
Rated power - P2:	0.56 kW
Mains frequency:	50 Hz
Rated voltage:	1 x 230 V
Rated current:	3.8 A
Starting current:	11.3 A
Rated speed:	2800 rpm
Capacitor size - run:	12 µF/450 V
Enclosure class (IEC 34-5):	IP44
Insulation class (IEC 85):	F
Length of cable:	1.5 m
Power plug:	AUS
<b>Controls:</b>	
Type of connector:	Type I (AS/NZS 3112)
<b>Others:</b>	
Net weight:	15.8 kg
Gross weight:	0 kg
Country of origin:	CN
Custom tariff no.:	8413709062
Environmental approvals:	WEEE



Pumped liquid = Water  
 Liquid temperature during operation = 293 K  
 Density = 998.2 kg/m<sup>3</sup>



## 99463895 JP 4-47 PT-V 50 Hz



Note! All units are in [mm] unless others are stated.  
 Disclaimer: This simplified dimensional drawing does not show all details.