

Qty.	Description
------	-------------

1	SCALA2 3-45 A
---	----------------------



Product No.: [98562866](#)

Grundfos SCALA2 is a fully integrated, self-priming, compact waterworks for pressure boosting in domestic applications.

SCALA2 incorporates integrated speed control enabling the keeping of the perfect pressure at the taps, meaning that the pump performance will increase with increasing demand.

SCALA2 can be installed in three easy steps:

1. Connect the pipes.
2. Prime the pump.
3. Plug the pump into the power outlet and the pump will start.

Grundfos SCALA2 has all the components necessary to ensure a comfortable pressure:

- intelligent controller
- integrated speed-controlled drive
- integrated tank
- integrated sensors
- integrated non-return valves.

As it is self-priming, the SCALA2 is able to pump water from a level below the pump.

Provided it is filled with water, the pump is able to lift water from a depth of 8 m in less than 5 minutes.

This facilitates easy installation and start-up of the pump and provides more reliable water supply in installations where there is a risk of dry running and leakages in suction hose or pipes.

If exposed to dry running, water shortage or excessive temperature, blocked pump, for example in case of seizure or overload, the pump will stop automatically, thus preventing a motor burnout.

The pump features an automatic reset function. In case of dry running or similar alarm, the pump will stop. Restarting will be attempted every 5 minutes 8 times, there after new restart attempt will occur every 24 hours. The automatic reset function can be deactivated.

Thanks to its hydraulic design, permanent magnet motor and water cooling, the pump is extremely low-noise, 47 dB(A) in typical use, which makes it suitable for indoor as well as outdoor use. Max noise level at full load are 53 dB(A)

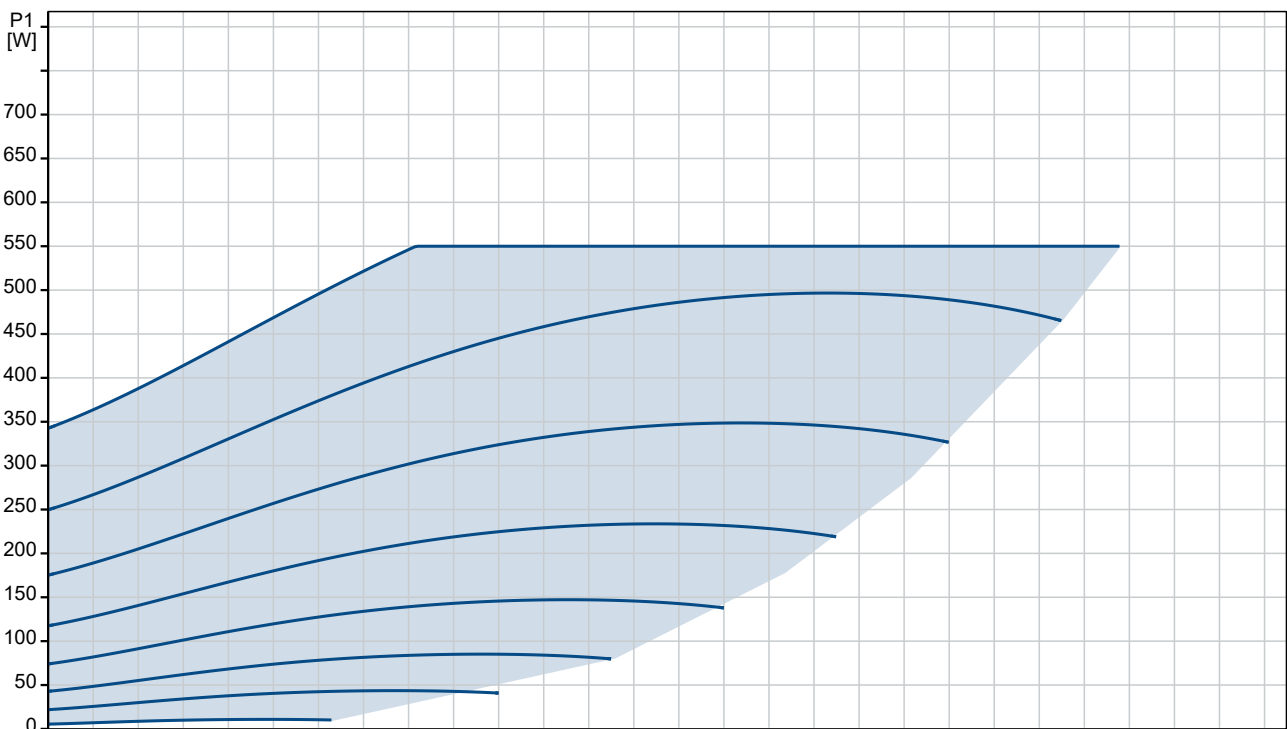
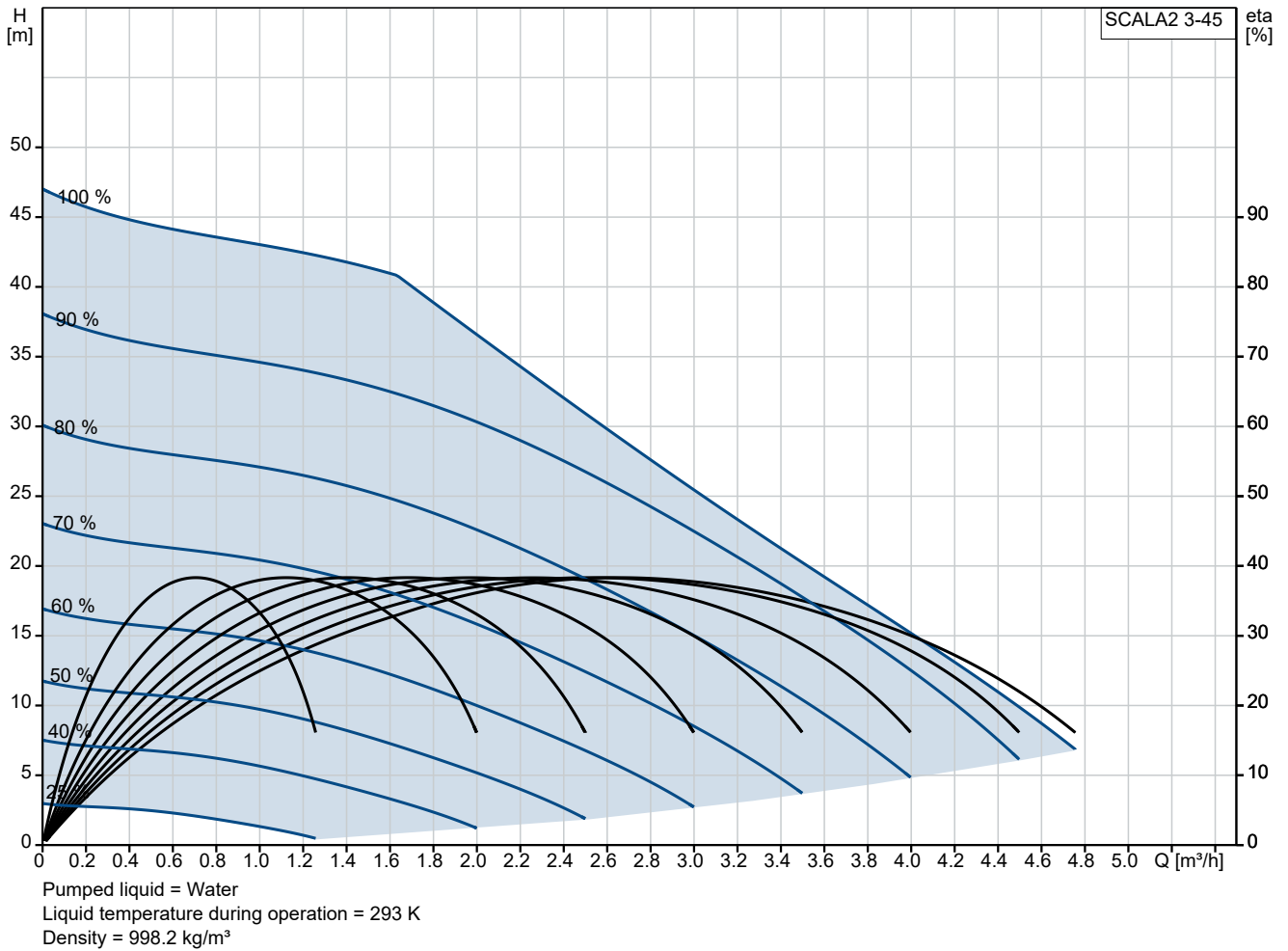
The built-in pressure tank reduces the number of starts and stops in case of leakages in the pipe system, causing less wear on the pump.

SCALA2 require no maintenance, but it is recommended to keep the pump clean, check the non-return valves and keep the ventilation holes free of dust

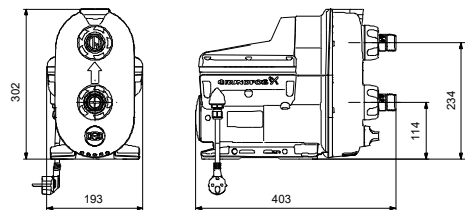
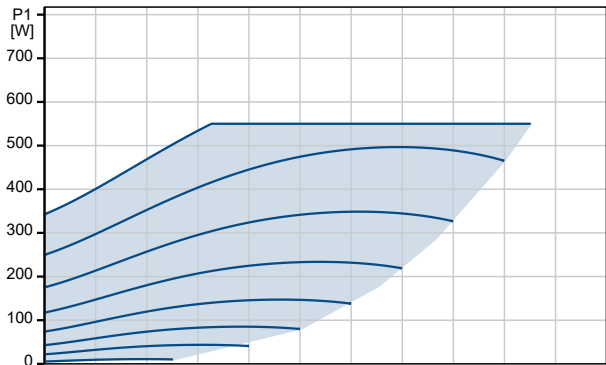
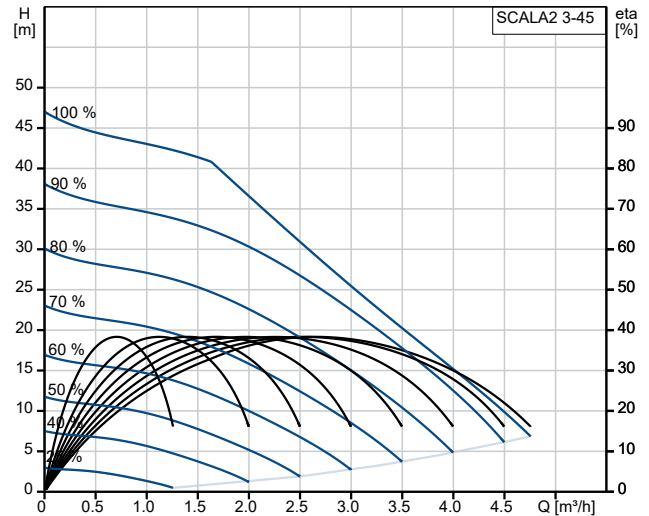
Liquid:
Pumped liquid: Water
Liquid temperature range: 273 .. 318 K
Selected liquid temperature: 293 K

Qty.	Description
1	<p>Density: 998.2 kg/m³</p> <p>Technical:</p> <p>Rated flow: 3 m³/h</p> <p>Rated head: 27 m</p> <p>Primary shaft seal: CARBON/CERAMIC</p> <p>Approvals: CE,RCM</p> <p>Approvals for drinking water: AS4020</p> <p>Curve tolerance: ISO9906:2012 3B</p> <p>Materials:</p> <p>Pump housing: Composite</p> <p>Pump: NORYL FE1630PW PPE+PS-GS30</p> <p>Impeller: Composite</p> <p>NORYL FE1630PW PPE+PS-GS30</p> <p>Installation:</p> <p>Range of ambient temperature: 273 .. 328 K</p> <p>Maximum operating pressure: 1 MPa</p> <p>Maximum permissible inlet pressure: 0.6 MPa</p> <p>Type of inlet connection: R</p> <p>Type of outlet connection: R</p> <p>Size of inlet connection: 1 inch</p> <p>Size of outlet connection: 1 inch</p> <p>Pressure rating for connection: PN 10</p> <p>Electrical data:</p> <p>Power input - P1: 550 W</p> <p>Rated power - P2: 0.45 kW</p> <p>Mains frequency: 50 / 60 Hz</p> <p>Rated voltage: 1 x 200-240 V</p> <p>Rated current: 2.8 A</p> <p>Enclosure class (IEC 34-5): IPX4D</p> <p>Insulation class (IEC 85): F</p> <p>Length of cable: 2 m</p> <p>Power plug: Type I (AS/NZS 3112)</p> <p>Australian plug</p> <p>Others:</p> <p>Net weight: 8.95 kg</p> <p>Gross weight: 12.2 kg</p> <p>Shipping volume: 0.043 m³</p> <p>Storage temperature range: 233 .. 343 K</p> <p>Country of origin: RS</p> <p>Custom tariff no.: 84137090622081967</p>

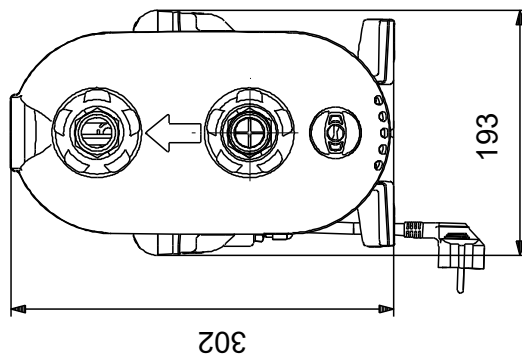
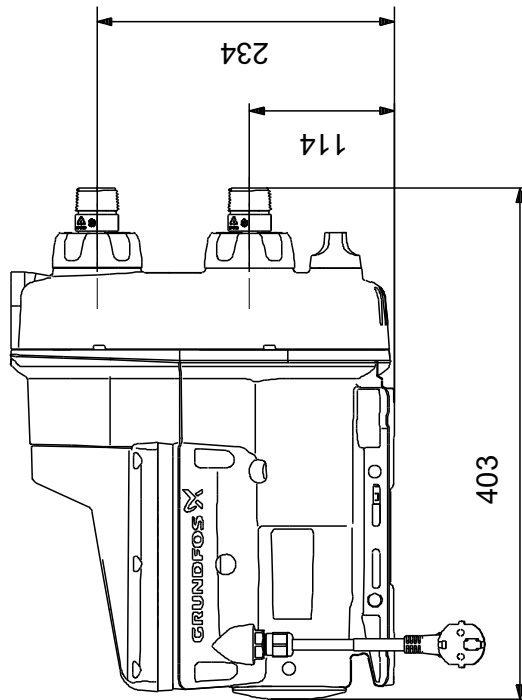
98562866 SCALA2 3-45 A



Description	Value
General information:	
Product name:	SCALA2 3-45 A
Product No:	98562866
EAN number:	5711497234254
Technical:	
Rated flow:	3 m ³ /h
Rated head:	27 m
Head max:	45 m
Primary shaft seal:	CARBON/CERAMIC
Approvals:	CE,RCM
Approvals for drinking water:	AS4020
Curve tolerance:	ISO9906:2012 3B
Model:	A
Materials:	
Pump housing:	Composite
Pump:	NORYL FE1630PW PPE+PS-GS30
Impeller:	Composite
Impeller:	NORYL FE1630PW PPE+PS-GS30
Material code:	A
Installation:	
Range of ambient temperature:	273 .. 328 K
Maximum operating pressure:	1 MPa
Maximum permissible inlet pressure:	0.6 MPa
Type of inlet connection:	R
Type of outlet connection:	R
Size of inlet connection:	1 inch
Size of outlet connection:	1 inch
Pressure rating for connection:	PN 10
Liquid:	
Pumped liquid:	Water
Liquid temperature range:	273 .. 318 K
Selected liquid temperature:	293 K
Density:	998.2 kg/m ³
Electrical data:	
Power input - P1:	550 W
Rated power - P2:	0.45 kW
Mains frequency:	50 / 60 Hz
Rated voltage:	1 x 200-240 V
Rated current:	2.8 A
Enclosure class (IEC 34-5):	IPX4D
Insulation class (IEC 85):	F
Length of cable:	2 m
Power plug:	Type I (AS/NZS 3112)
Power plug:	Australian plug
Others:	
Net weight:	8.95 kg
Gross weight:	12.2 kg
Shipping volume:	0.043 m ³
Storage temperature range:	233 .. 343 K
Country of origin:	RS
Custom tariff no.:	84137090622081967



98562866 SCALA2 3-45 A



Note! All units are in [mm] unless others are stated.
Disclaimer: This simplified dimensional drawing does not show all details.