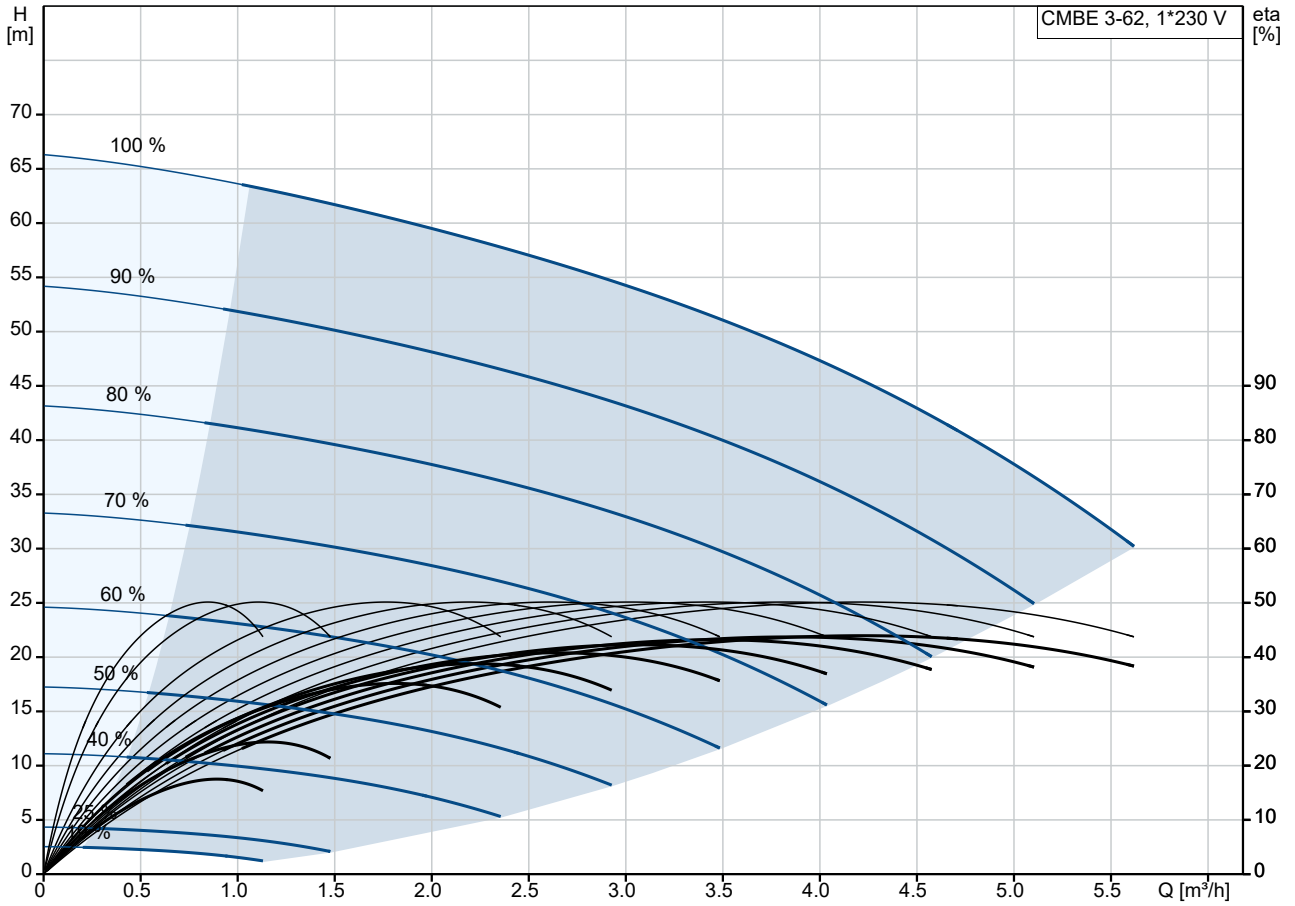
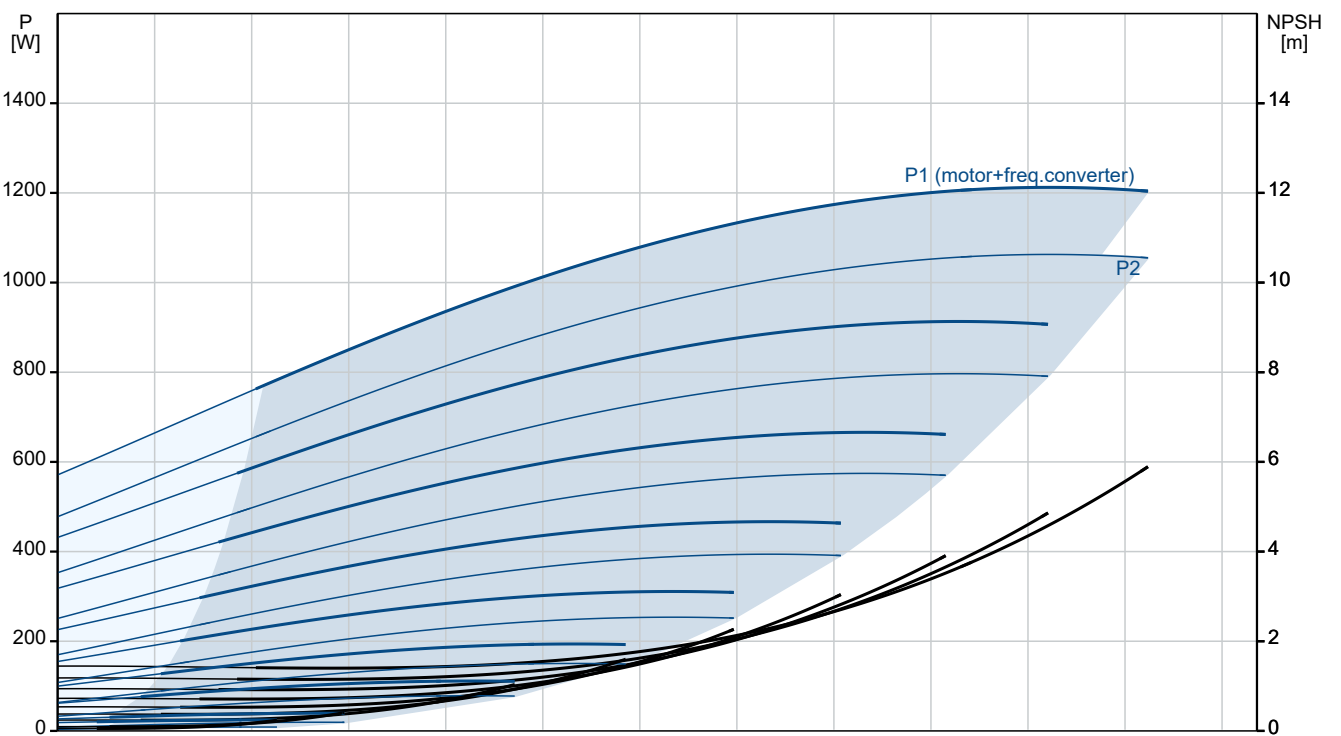


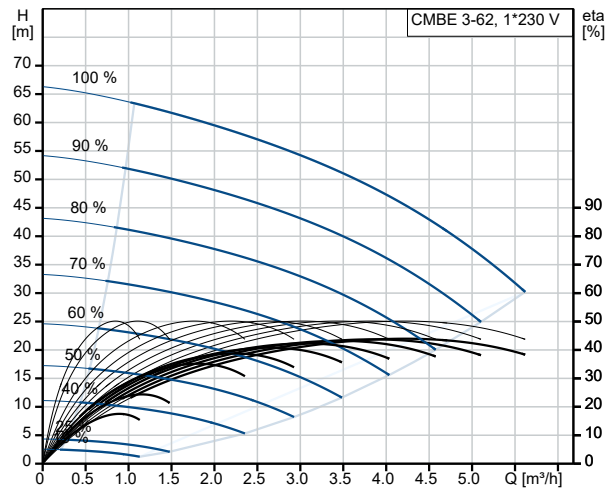
## 98374709 CMBE 3-62 I-U-C-A-D-A 60 Hz



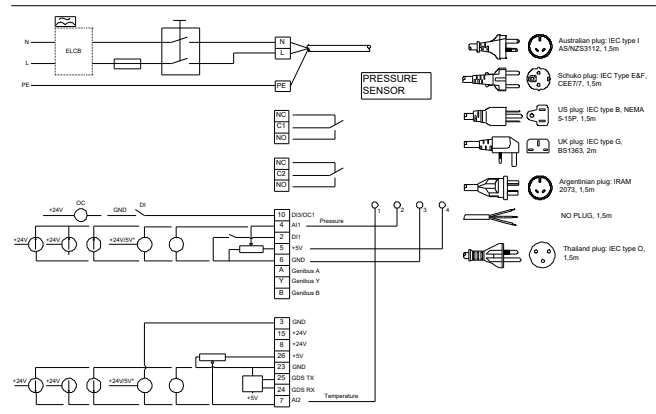
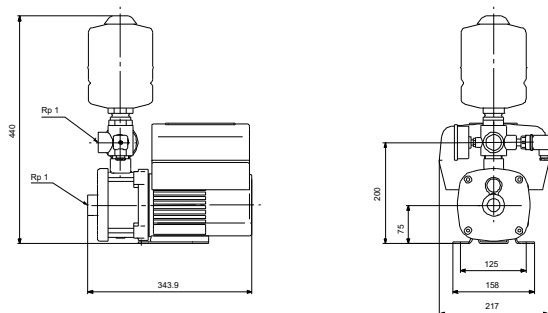
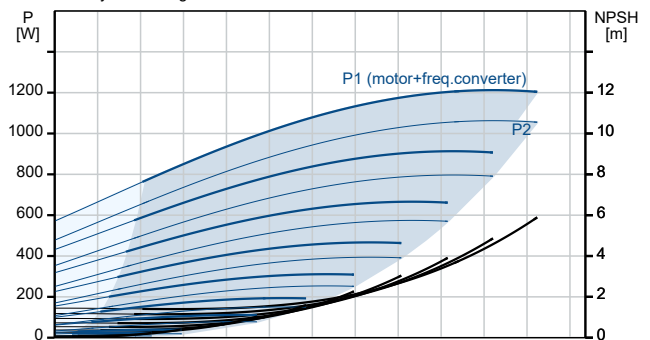
Pumped liquid = Water  
 Liquid temperature during operation = 293 K  
 Density = 998.2 kg/m³



Description	Value
<b>General information:</b>	
Product name:	CMBE 3-62 I-U-C-A-D-A
Product No:	98374709
EAN number:	5711493909491
<b>Technical:</b>	
Pump speed on which pump data are based:	3780 rpm
Rated flow:	4.2 m <sup>3</sup> /h
Rated head:	45.2 m
Impellers:	4
Code for shaft seal:	AVBE
Approvals:	CE
Curve tolerance:	ISO9906:2012 3B
Model:	A
Return valve:	YES
Start pressure:	Integrated Frequency converter
Tank volume:	2 l
<b>Materials:</b>	
Pump housing:	Stainless steel
Pump housing:	EN 1.4301
Pump housing:	AISI 304
Impeller:	Stainless steel
Impeller:	EN 1.4301
Impeller:	AISI 304
Code for rubber:	EPDM
<b>Installation:</b>	
Max. ambient:	328 K
Maximum operating pressure:	1000 kPa
Pipe connection standard:	ISO 228-1
Type of inlet connection:	Rp
Type of outlet connection:	Rp
Size of inlet connection:	1
Size of outlet connection:	1
Pressure rating for connection:	PN 10
<b>Liquid:</b>	
Pumped liquid:	Water
Liquid temperature range:	273 .. 333 K
Selected liquid temperature:	293 K
Density:	998.2 kg/m <sup>3</sup>
<b>Electrical data:</b>	
Rated power - P2:	1.1 kW
Mains frequency:	60 Hz
Rated voltage:	1 x 200-240 V
Maximum current consumption:	6.70-5.60 A
Rated speed:	360-4000 rpm
Enclosure class (IEC 34-5):	IP55
Insulation class (IEC 85):	F
Length of cable:	1.5 m
Power plug:	Australian plug
<b>Controls:</b>	
Type of connector:	Type I (AS/NZS 3112)
Frequency converter:	Built-in
<b>Others:</b>	
Net weight:	17 kg
Gross weight:	27.1 kg
Shipping volume:	0.168 m <sup>3</sup>
Sales region:	Australia
Config. file no:	98390434



Pumped liquid = Water  
Liquid temperature during operation = 293 K  
Density = 998.2 kg/m<sup>3</sup>

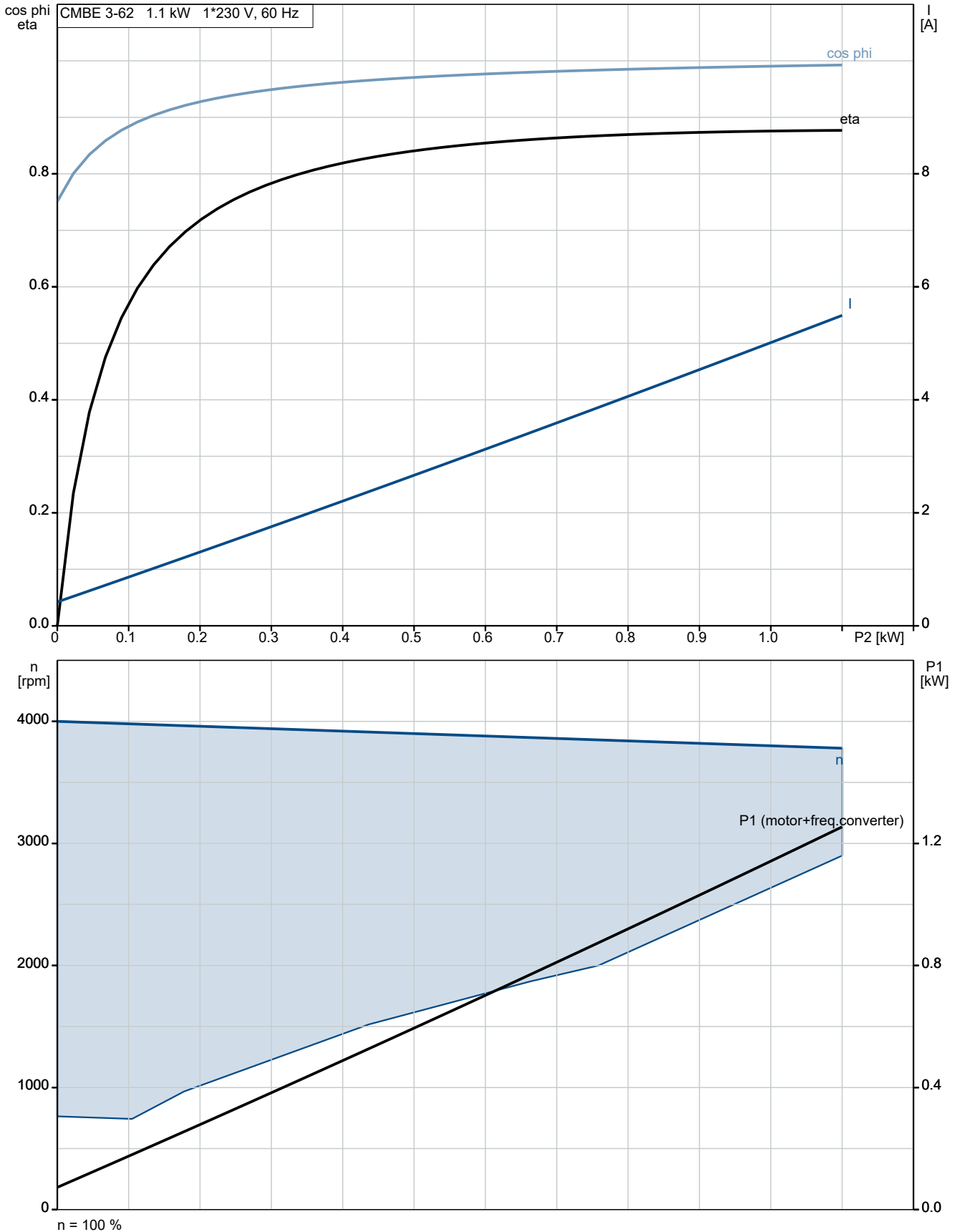




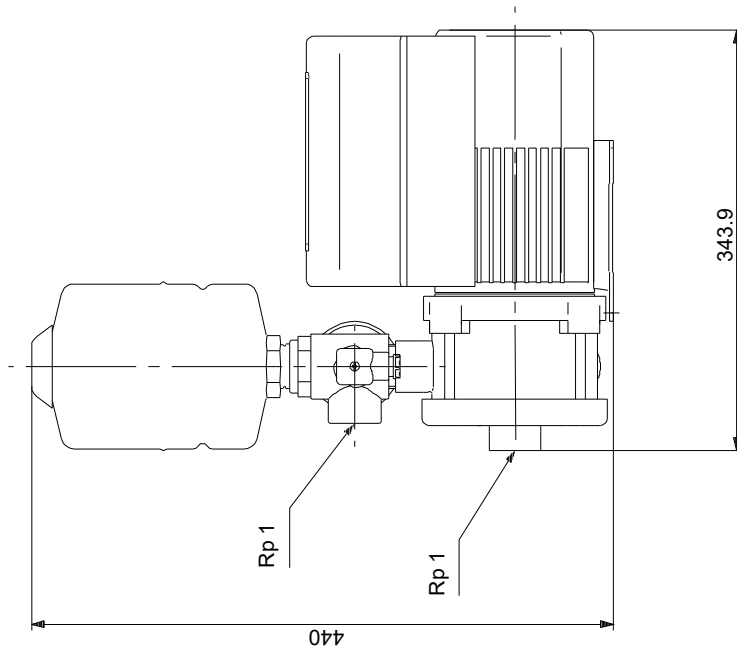
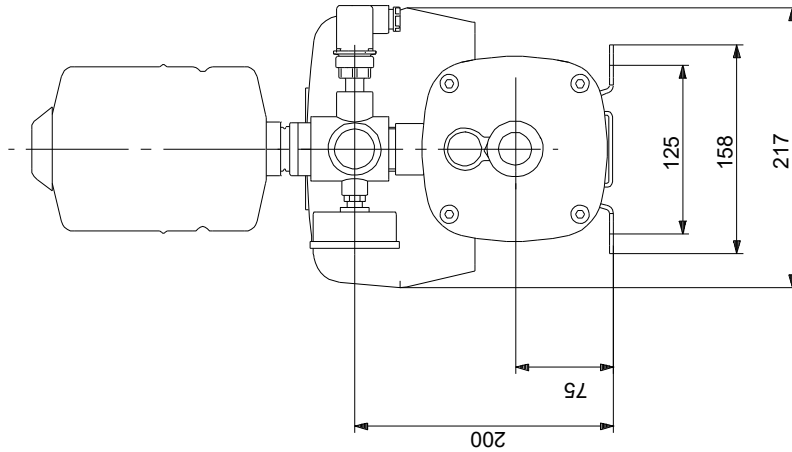
**Company name:** Land and Water Technology  
**Created by:**  
**Phone:** 08 9209 3330  
**Email:** orders@landwater.com.au  
**Date:** 2/15/2023

Description	Value
Country of origin:	CN
Custom tariff no.:	84137090621519197

## 98374709 CMBE 3-62 I-U-C-A-D-A 60 Hz

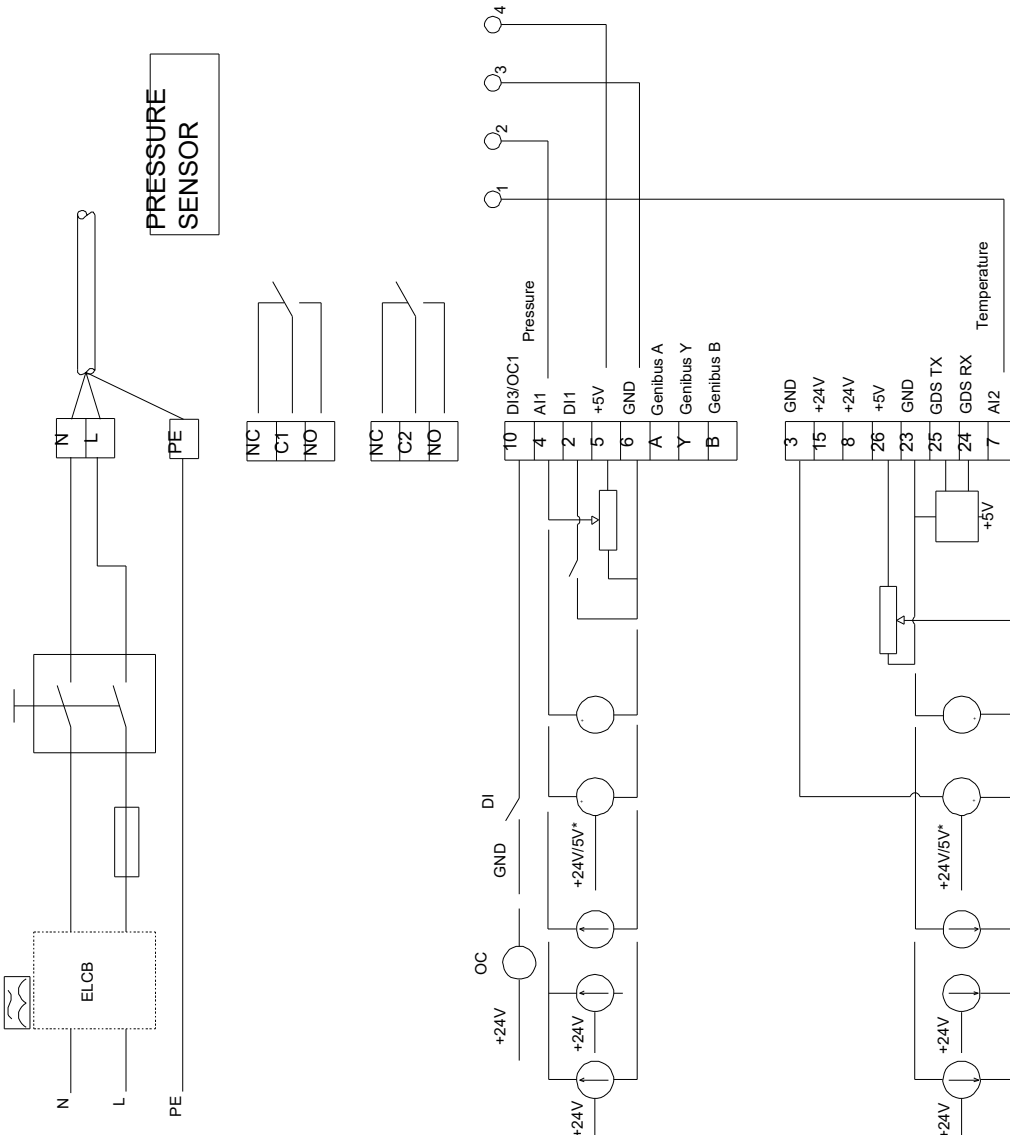
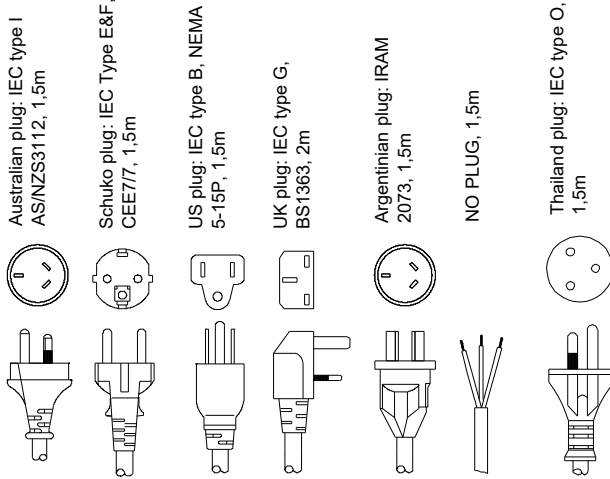


## 98374709 CMBE 3-62 I-U-C-A-D-A 60 Hz



Note! All units are in [mm] unless others are stated.  
Disclaimer: This simplified dimensional drawing does not show all details.

## 98374709 CMBE 3-62 I-U-C-A-D-A 60 Hz



Note! All units are in [mm] unless others are stated.