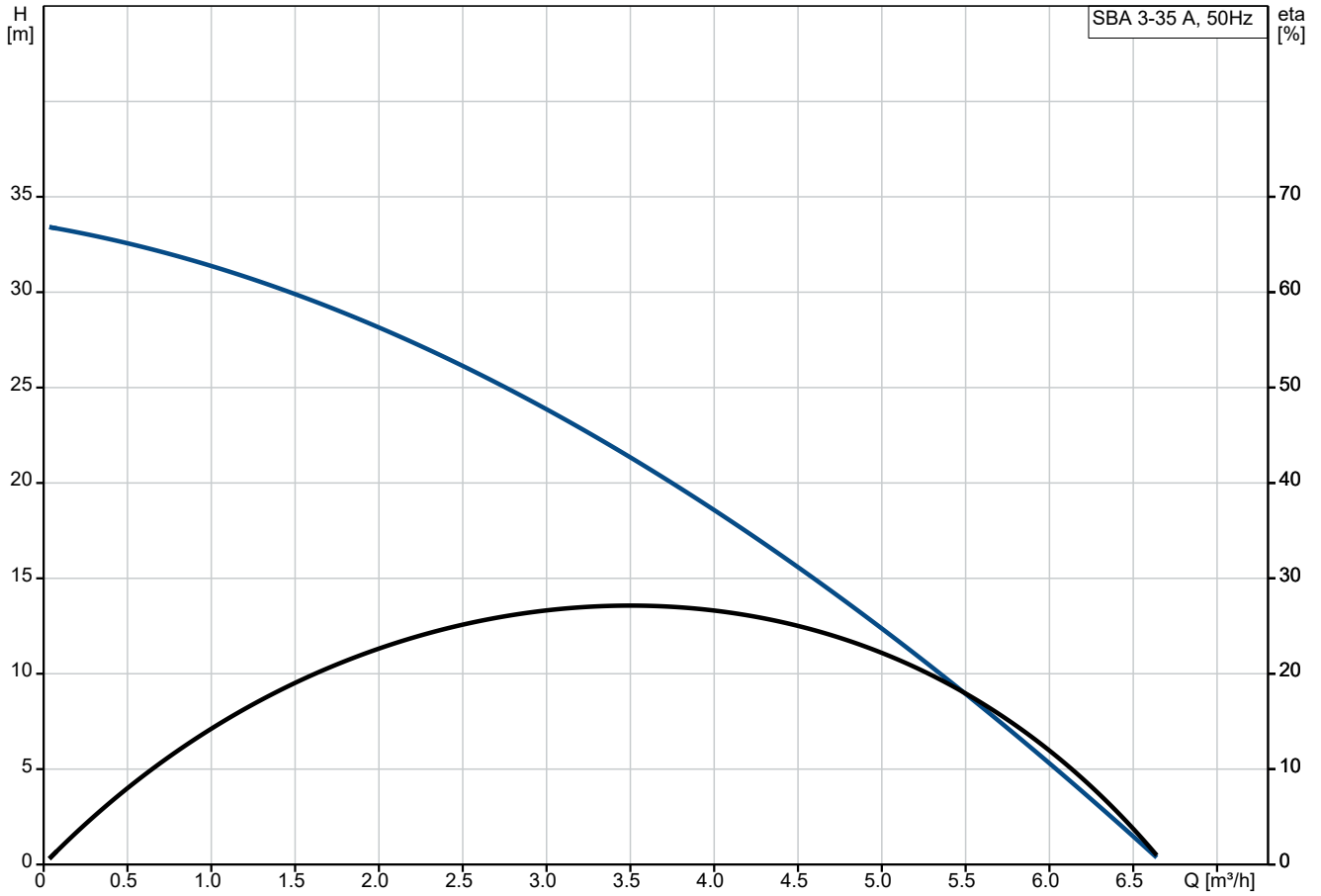
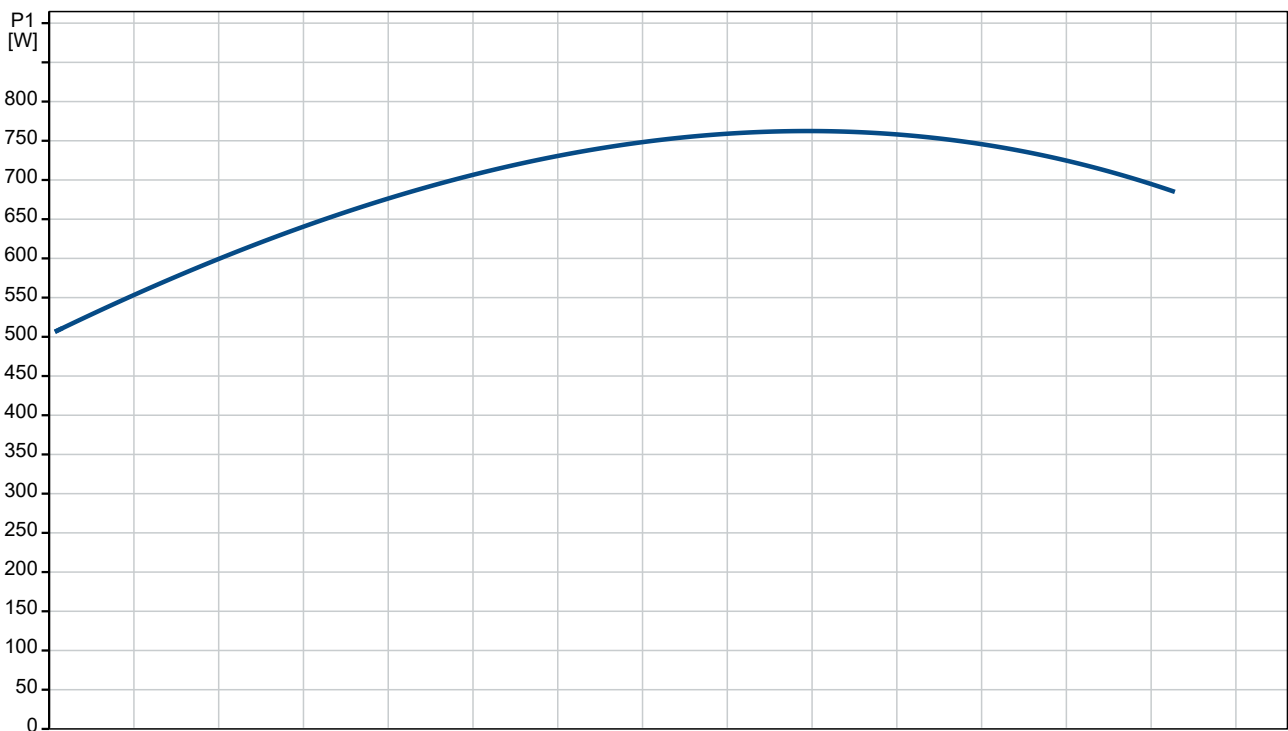


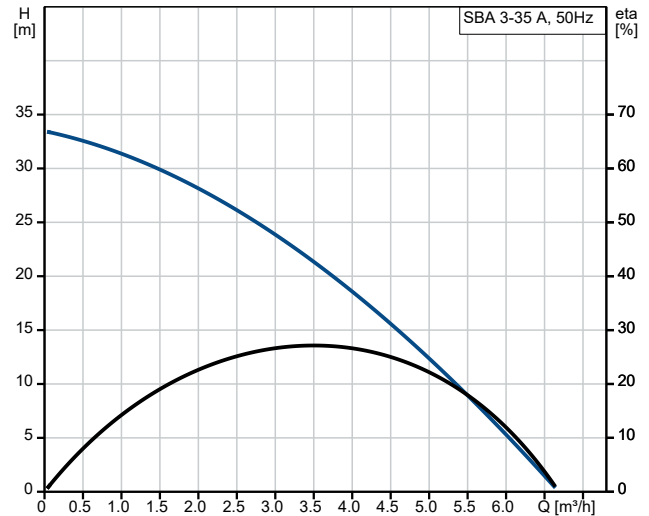
98055387 SBA 3-35 A 50 Hz



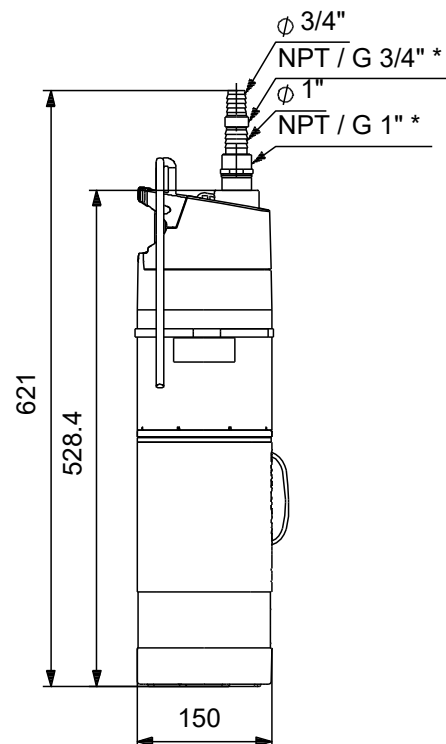
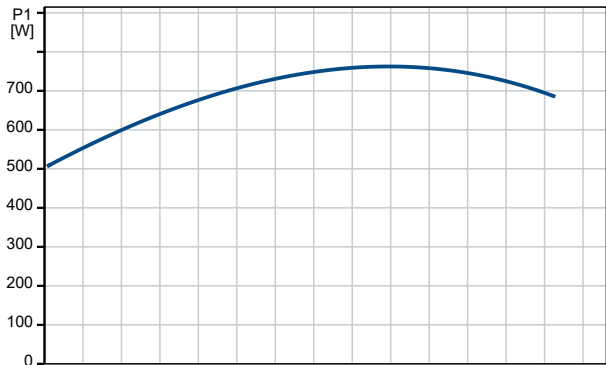
Pumped liquid = Water
 Liquid temperature during operation = 293 K
 Density = 998.2 kg/m³



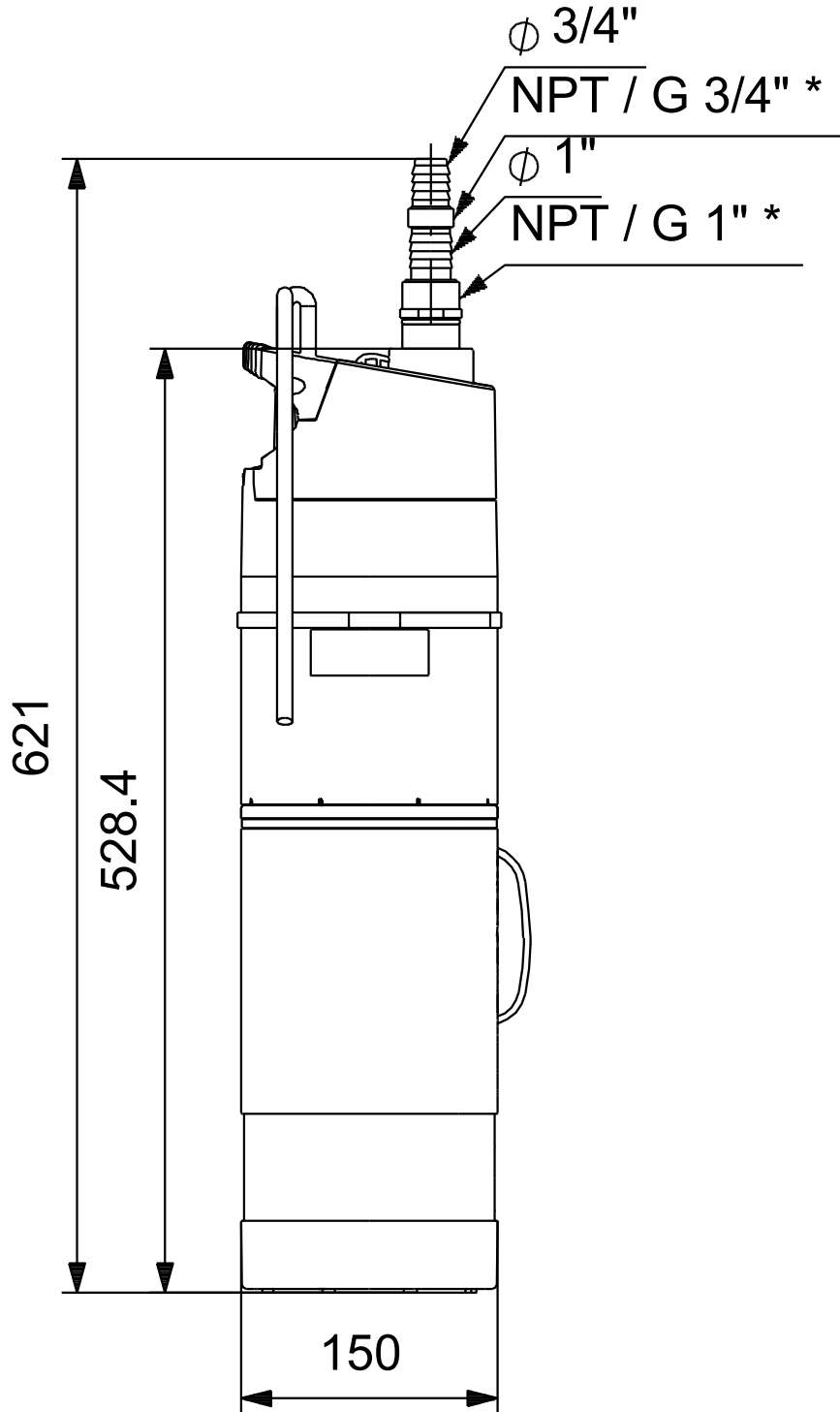
Description	Value
General information:	
Product name:	SBA 3-35 A
Product No:	98055387
EAN number:	5710628208416
Technical:	
Rated flow:	2.76 m ³ /h
Rated head:	25.2 m
Maximum head:	34 m
Impellers:	3
Max. Particle:	1 mm
Approvals:	CE
Curve tolerance:	ISO9906:2012 3B
Return valve:	YES
Adjustable start pressure:	N
Start pressure:	220 kPa
Rated speed:	2800 rpm
Materials:	
Pump housing:	Composite
Pump housing:	PP - GF30
Impeller:	Composite
Impeller:	PPO-20GF
Installation:	
Range of ambient temperature:	263 .. 323 K
Type of inlet connection:	STRAINER
Pump outlet:	G 1"
Pressure rating for connection:	PN 6
Maximum installation depth:	10 m
Liquid:	
Pumped liquid:	Water
Liquid temperature range:	273 .. 313 K
Selected liquid temperature:	293 K
Density:	998.2 kg/m ³
pH-value range:	4-9
Electrical data:	
Power input P1:	0.8 kW
Rated power - P2:	0.54 kW
Mains frequency:	50 Hz
Rated voltage:	1 x 220-240 V
Rated current:	3.8 A
Starting current:	12 A
Cos phi:	0.94
Rated speed:	2800 rpm
Capacitor size - run:	12 µF/450 V
Enclosure class (IEC 34-5):	IP68
Insulation class (IEC 85):	F
Built-in motor protection:	YES
Length of cable:	15 m
Cable type:	H07RN-F 3G1
Type of cable plug:	AUS
Controls:	
Float switch (Yes/No):	Y
Others:	
Net weight:	10.9 kg
Gross weight:	12.5 kg
Shipping volume:	0.032 m ³
Country of origin:	IT
Custom tariff no.:	8413709062



Pumped liquid = Water
 Liquid temperature during operation = 293 K
 Density = 998.2 kg/m³



98055387 SBA 3-35 A 50 Hz



Note! All units are in [mm] unless others are stated.
Disclaimer: This simplified dimensional drawing does not show all details.