

Qty. Description

1 **DDE 6-10**



Note! Product picture may differ from actual product

Product No.: [97721204](#)
 DDE 6-10 B-PVC/T/C-X-31U2U2IG

The SMART Digital DDE is a compact positive displacement, diaphragm dosing pump with variable-speed drive (stepper motor) and intelligent control electronics with minimum energy consumption.

The SMART Digital Dosing series operates at full stroke length to ensure optimum accuracy, priming and suction, even for degassing liquids.

The duration of each discharge stroke varies according to the capacity set, resulting in optimum smooth and continuous discharge flow.

The click-stop mounting plate allows installation in three different positions without using any additional accessories. The dosing flow can be adjusted by means of an adjustment knob on a logarithmical scale from 0.1-100%.

The dosing head is composed of:

- Long lifetime and universal chemical resistant Full-PTFE diaphragm.
- Double ball valves for highest dosing accuracy.
- Deaeration valve for easy start-up.

Operation modes:

- Manual dosing from 0.1 to 100%.

Other features:

- Mechanical lock to protect the pump against unauthorised access.

Technical:

Type key:	DDE 6-10 B-PVC/T/C-X-31U2U2IG
Max. Flow:	6 l/h
Min flow:	6.0 ml/h
Turn-down ratio:	1:1000
Approvals:	CE,CSA-US,NSF61,RCM
Valve type:	Standard
Maximum viscosity at 100 %:	50 mPas
Maximum viscosity in slow mode 50 %:	N/A mPas
Maximum viscosity in slow mode 25 %:	N/A mPas
Accuracy of repeatability:	5 %

Materials:

Dosing head:	PVC (Polyvinyl chloride)
Valve ball:	Ceramic
Gasket:	PTFE

Installation:

Range of ambient temperature:	0 .. 45 °C
Maximum operating pressure:	10 bar
Installation set:	NO
Installation type:	No installation set
Pump inlet:	4/6, 6/9, 6/12, 9/12 mm



Company name: Land and Water Technology
Created by:
Phone: 08 9209 3330
Email: orders@landwater.com.au
Date: 2/28/2023

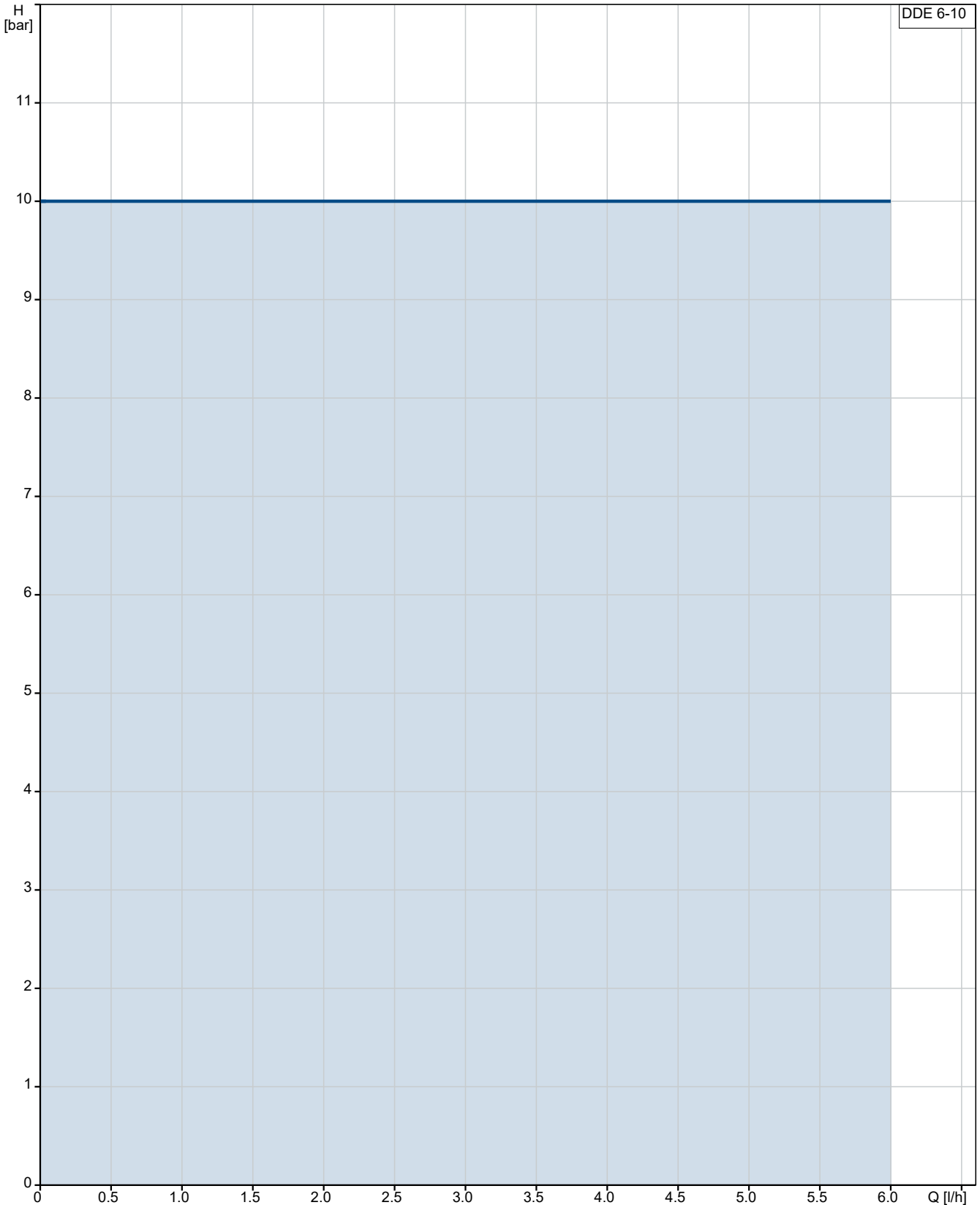
Qty.	Description
------	-------------

1	<p>Pump outlet: 4/6, 6/9, 6/12, 9/12 mm Max. Suction lift during operation: 6 m Max. Suction lift during priming: 2 m</p> <p>Liquid: Pumped liquid: Water Liquid temperature range: -10 .. 45 °C Selected liquid temperature: 20 °C Density: 998.2 kg/m³</p> <p>Electrical data: P1 max: 19 W Mains frequency: 50 / 60 Hz Rated voltage: 1 x 100-240 V Enclosure class (IEC 34-5): IP65 / NEMA 4X Length of cable: 1.5 m Type of cable plug: Australia, New Zealand, Taiwan Inrush current: 25A at 230V for 2ms</p> <p>Controls: Control variant: B Ext. Stop input: NO Output relays: NO</p> <p>Others: Net weight: 2 kg Gross weight: 3 kg Country of origin: FR Custom tariff no.: 8413509060</p>
---	---



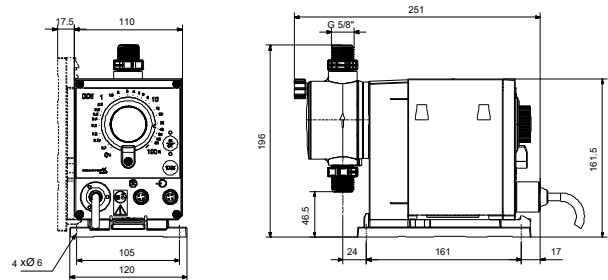
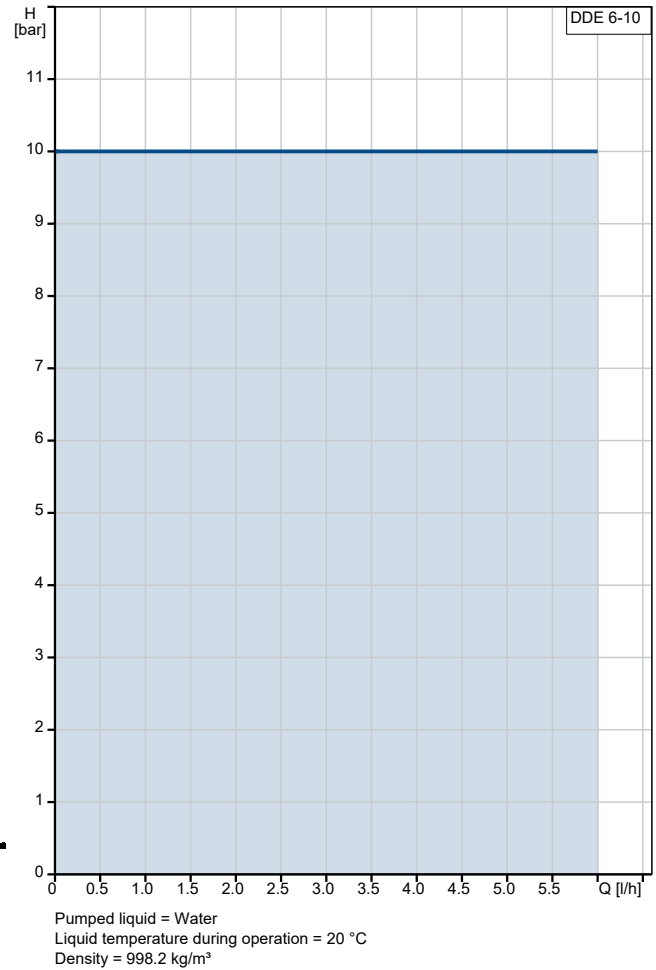
Company name: Land and Water Technology
Created by:
Phone: 08 9209 3330
Email: orders@landwater.com.au
Date: 2/28/2023

97721204 DDE 6-10

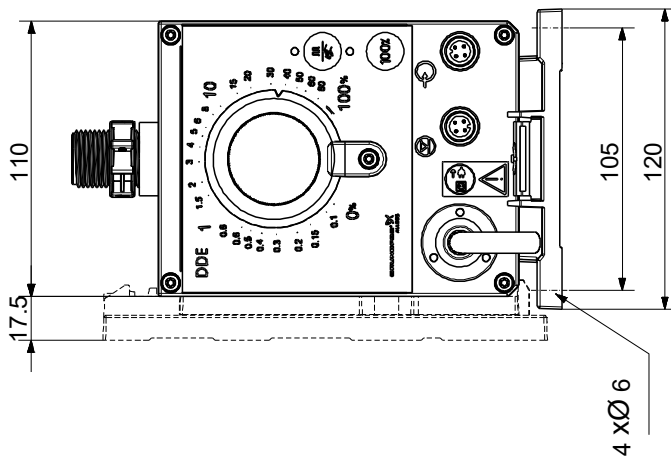
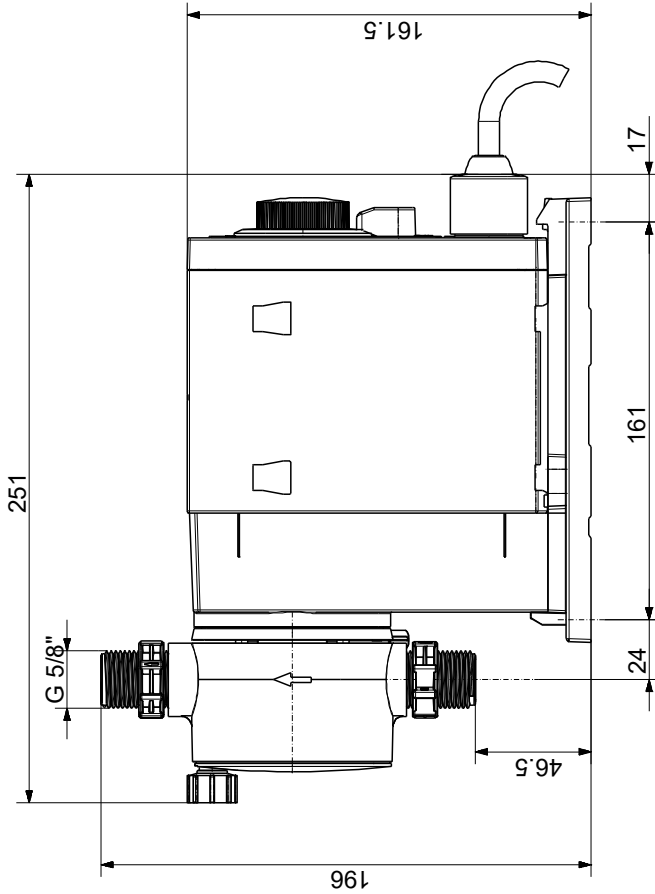


Pumped liquid = Water
Liquid temperature during operation = 20 °C
Density = 998.2 kg/m³

Description	Value
General information:	
Product name:	DDE 6-10
Product No:	97721204
EAN number:	5710622713442
Technical:	
Type key:	DDE 6-10 B-PVC/T/C-X-31U2U2IG
Max. Flow:	6 l/h
Min flow:	6.0 ml/h
Turn-down ratio:	1:1000
Approvals:	CE, CSA-US, NSF61, RCM
Valve type:	Standard
Maximum viscosity at 100 %:	50 mPas
Maximum viscosity in slow mode 50 %:	N/A mPas
Maximum viscosity in slow mode 25 %:	N/A mPas
Accuracy of repeatability:	5 %
Materials:	
Dosing head:	PVC (Polyvinyl chloride)
Valve ball:	Ceramic
Gasket:	PTFE
Installation:	
Range of ambient temperature:	0 .. 45 °C
Maximum operating pressure:	10 bar
Installation set:	NO
Installation type:	No installation set
Pump inlet:	4/6, 6/9, 6/12, 9/12 mm
Pump outlet:	4/6, 6/9, 6/12, 9/12 mm
Max. Suction lift during operation:	6 m
Max. Suction lift during priming:	2 m
Liquid:	
Pumped liquid:	Water
Liquid temperature range:	-10 .. 45 °C
Selected liquid temperature:	20 °C
Density:	998.2 kg/m ³
Electrical data:	
P1 max:	19 W
Mains frequency:	50 / 60 Hz
Rated voltage:	1 x 100-240 V
Enclosure class (IEC 34-5):	IP65 / NEMA 4X
Length of cable:	1.5 m
Type of cable plug:	Australia, New Zealand, Taiwan
Inrush current:	25A at 230V for 2ms
Controls:	
Control variant:	B
Ext. Stop input:	NO
Output relays:	NO
Others:	
Net weight:	2 kg
Gross weight:	3 kg
Country of origin:	FR
Custom tariff no.:	8413509060



97721204 DDE 6-10



Note! All units are in [mm] unless others are stated.
 Disclaimer: This simplified dimensional drawing does not show all details.