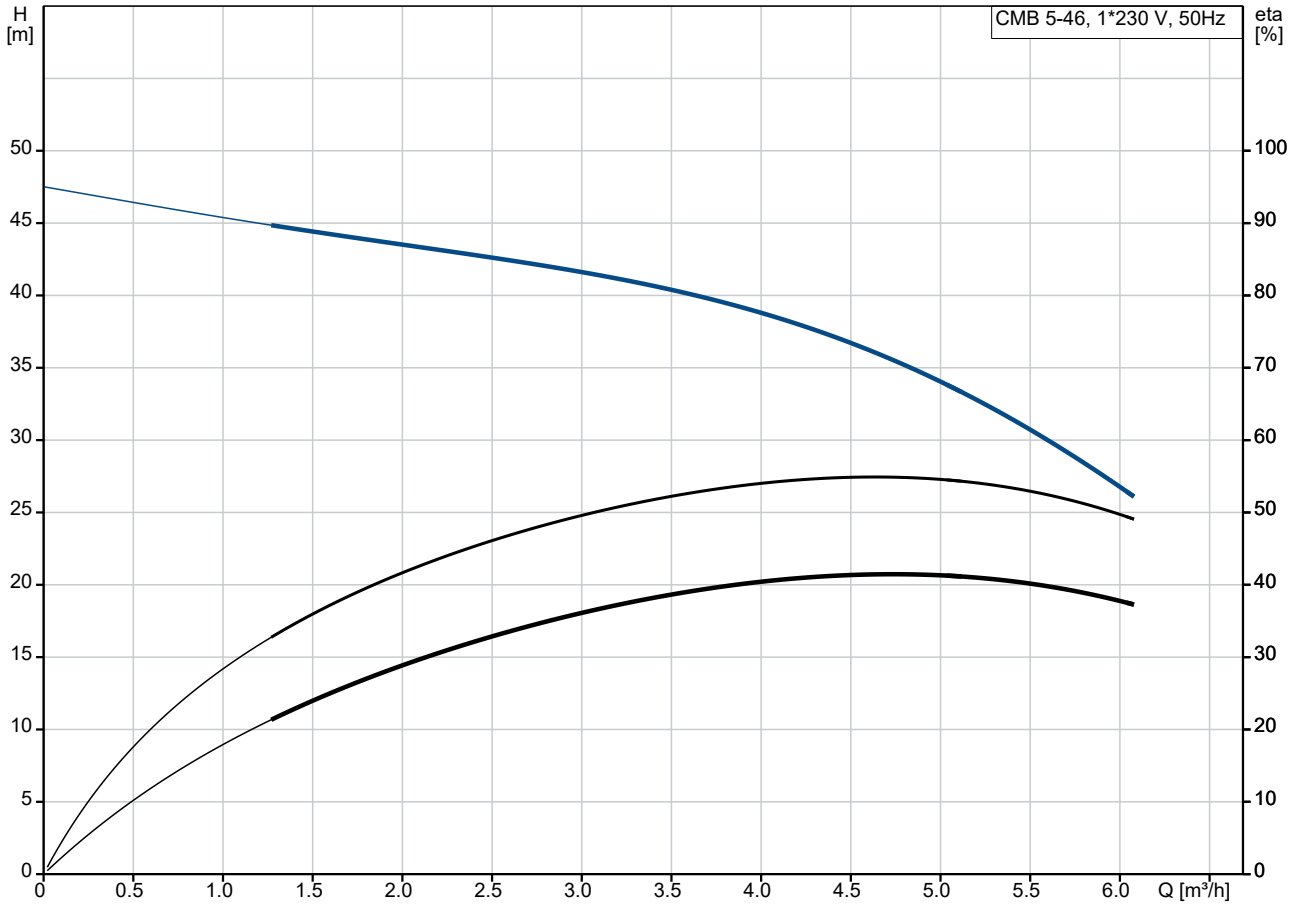
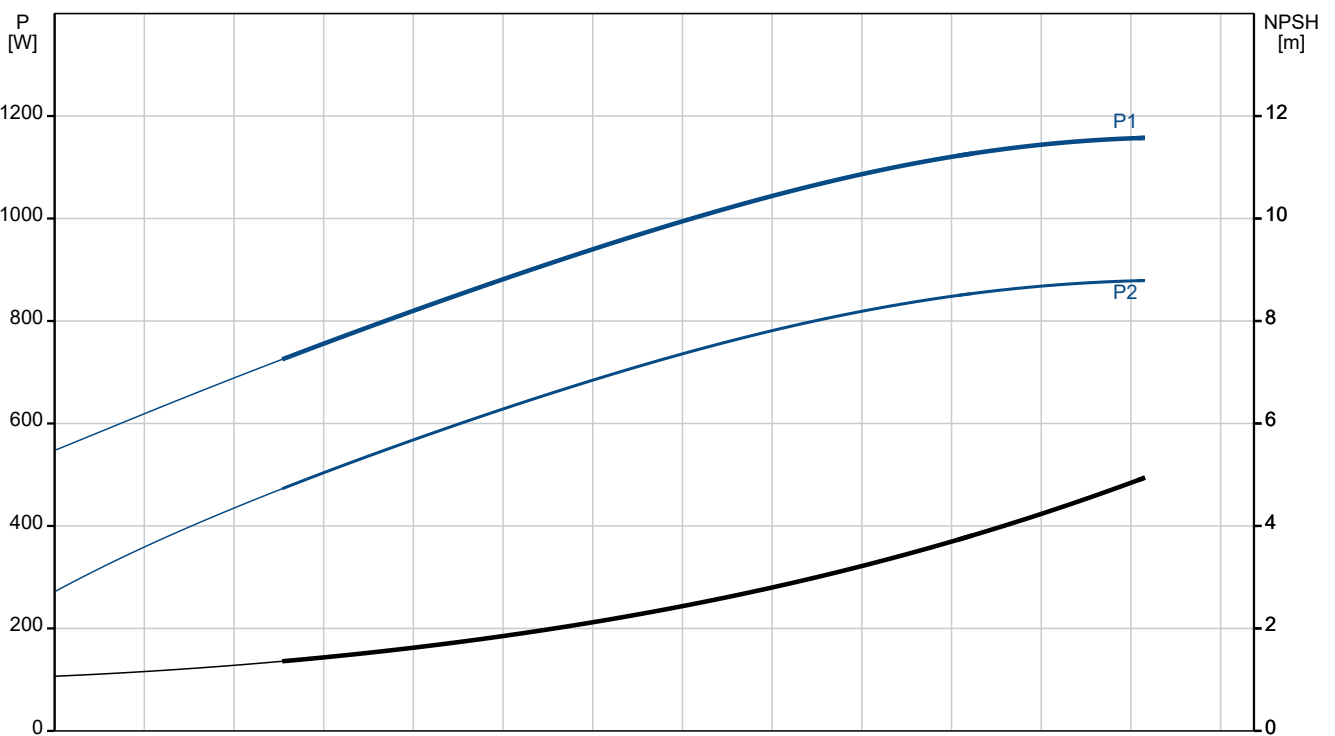


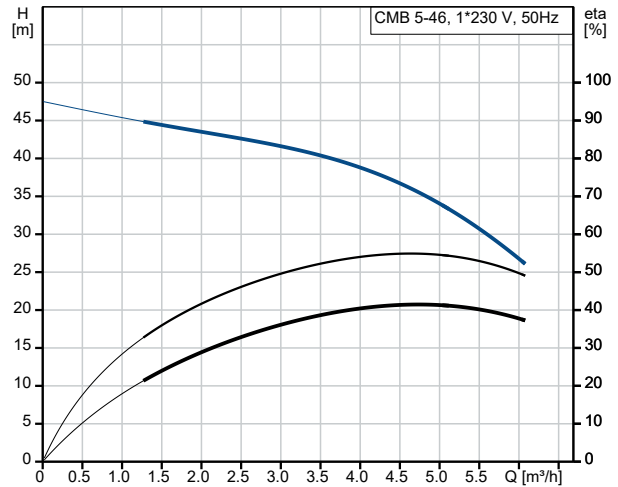
97530169 CMB 5-46 A-C-A-A-B-B 50 Hz



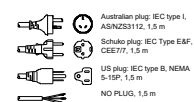
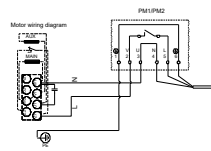
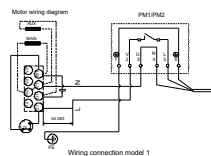
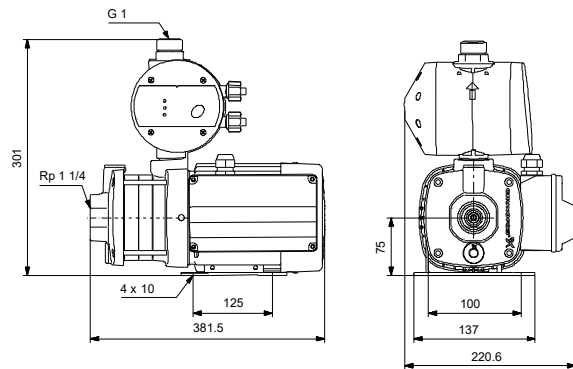
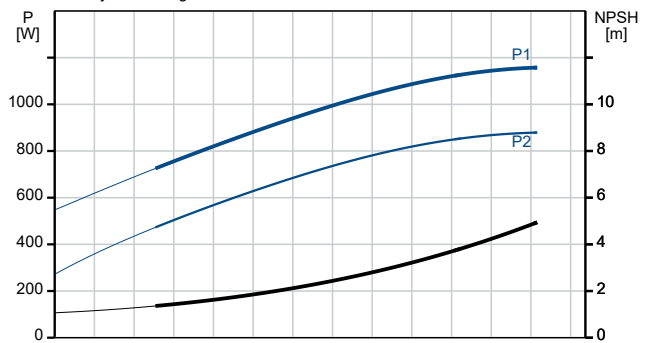
Pumped liquid = Water
 Liquid temperature during operation = 293 K
 Density = 998.2 kg/m³



Description	Value
General information:	
Product name:	CMB 5-46 A-C-A-A-B-B
Product No:	97530169
EAN number:	5700317867437
Technical:	
Pump speed on which pump data are based:	2900 rpm
Rated flow:	4.7 m ³ /h
Rated head:	38.6 m
Impellers:	5
Code for shaft seal:	AVBE
Approvals:	CE,RCM
Model:	A
Return valve:	YES
Start pressure:	PM1 - 2.2 bar
Tank volume:	NONE I
Materials:	
Pump housing:	Cast iron
Pump housing:	EN 1561 EN-GJL-200
Pump housing:	ASTM A48-30B
Impeller:	Stainless steel
Impeller:	EN 1.4301
Impeller:	AISI 304
Code for rubber:	EPDM
Installation:	
Max. ambient:	323 K
Maximum operating pressure:	1000 kPa
Pipe connection standard:	ISO 228-1
Type of inlet connection:	Rp
Type of outlet connection:	G
Size of inlet connection:	1 1/4
Size of outlet connection:	1
Pressure rating for connection:	PN 10
Liquid:	
Pumped liquid:	Water
Liquid temperature range:	273 .. 333 K
Selected liquid temperature:	293 K
Density:	998.2 kg/m ³
Electrical data:	
Rated power - P2:	0.9 kW
Mains frequency:	50 Hz
Rated voltage:	1 x 220-240 V
Maximum current consumption:	5.4-5.0 A
Rated speed:	2750-2790 rpm
Enclosure class (IEC 34-5):	IP55
Insulation class (IEC 85):	F
Built-in motor protection:	TP 211
Length of cable:	1.5 m
Power plug:	Australian plug
Controls:	
Type of connector:	Type I (AS/NZS 3112)
Others:	
Net weight:	16.5 kg
Gross weight:	20.9 kg
Sales region:	Australia
Country of origin:	TW
Custom tariff no.:	84137090621519197



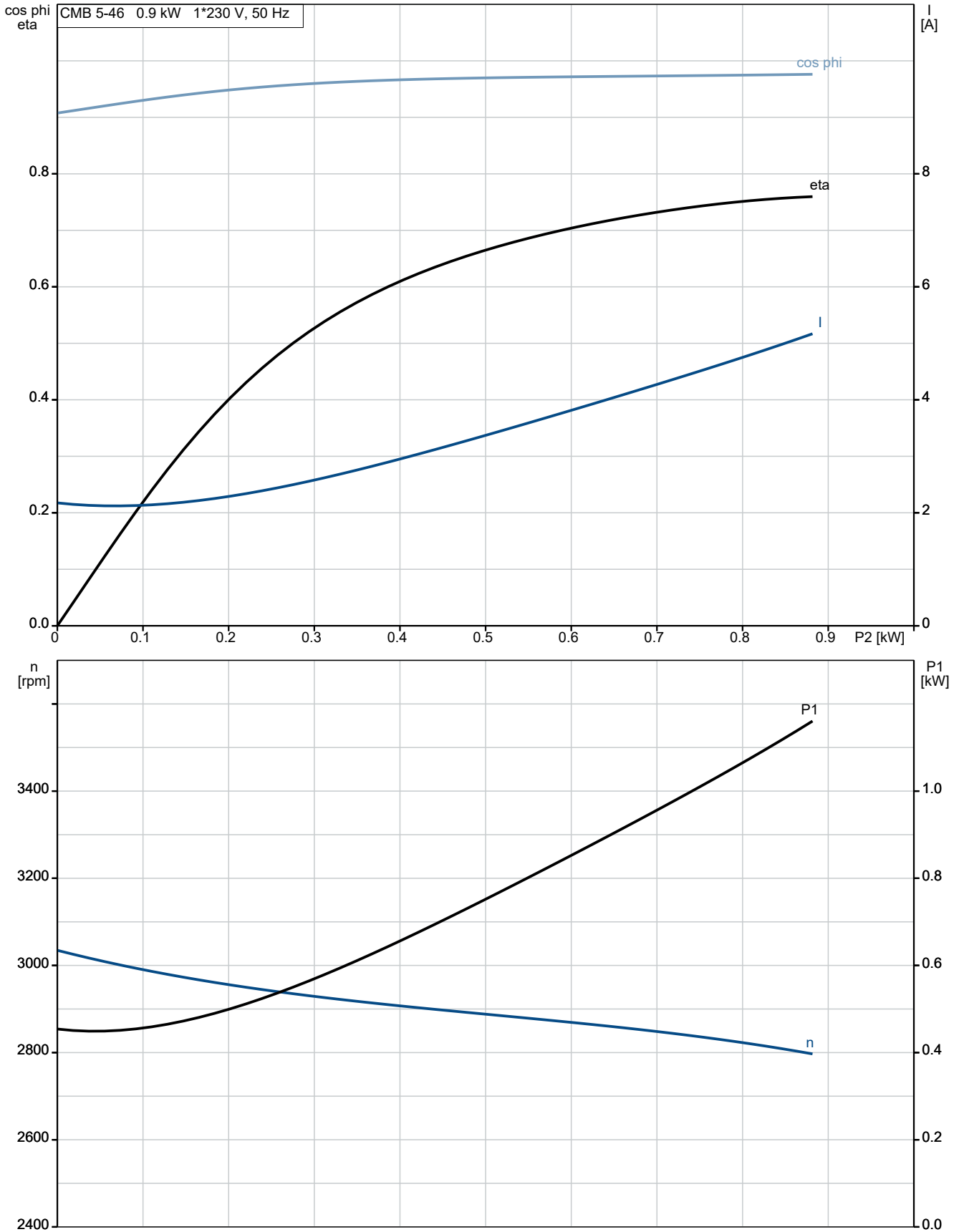
Pumped liquid = Water
Liquid temperature during operation = 293 K
Density = 998.2 kg/m³



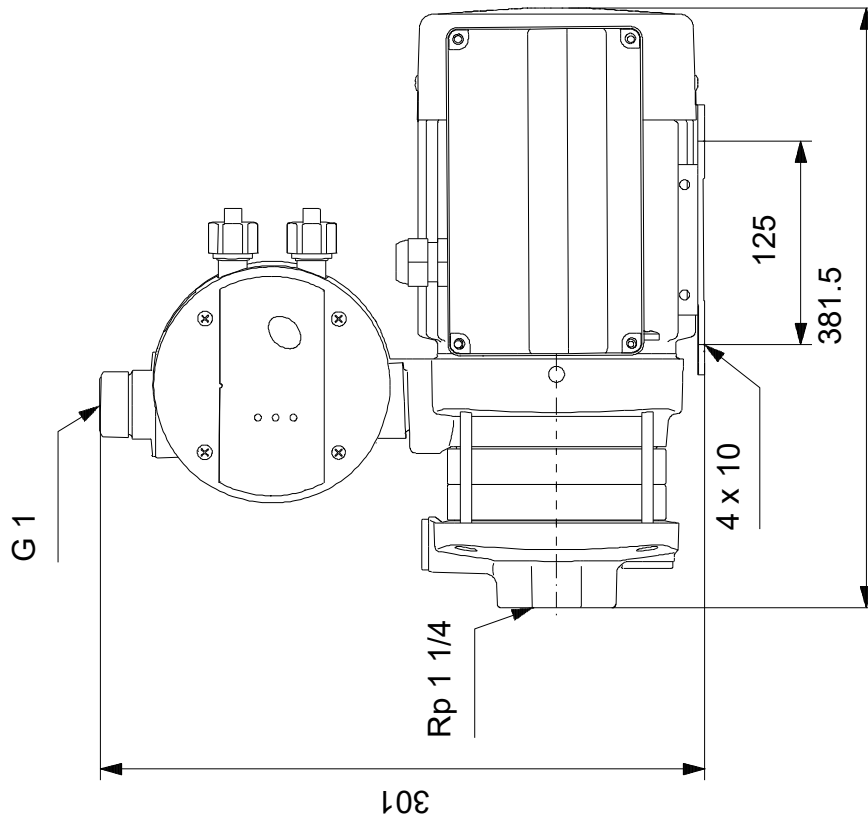
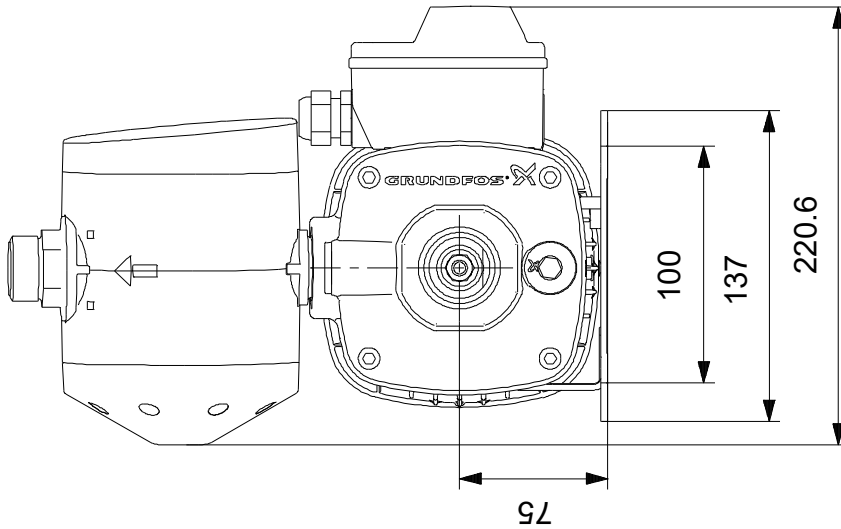


Company name: Land and Water Technology
Created by:
Phone: 08 9209 3330
Email: orders@landwater.com.au
Date: 2/15/2023

97530169 CMB 5-46 A-C-A-A-B-B 50 Hz



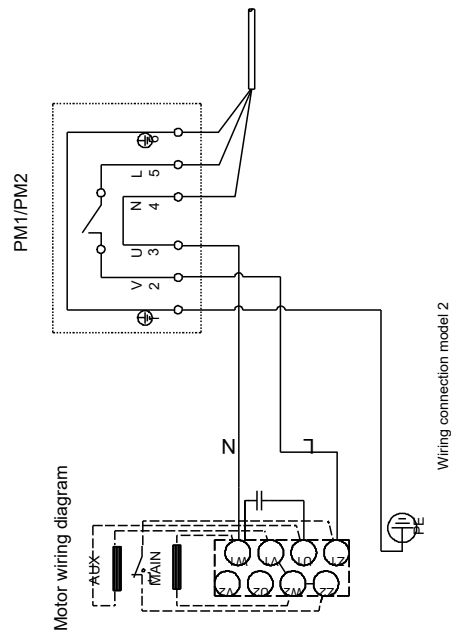
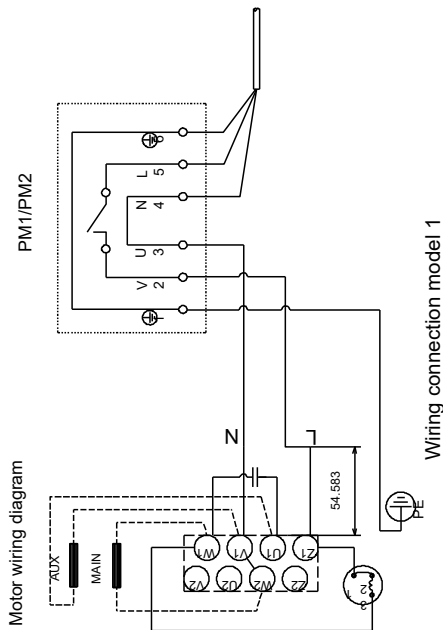
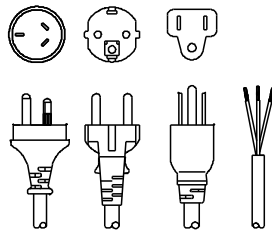
97530169 CMB 5-46 A-C-A-A-B-B 50 Hz



Note! All units are in [mm] unless others are stated.
Disclaimer: This simplified dimensional drawing does not show all details.

97530169 CMB 5-46 A-C-A-A-B-B 50 Hz

Australian plug: IEC type I,
 AS/NZS3112, 1,5 m
 Schuko plug: IEC Type E&F,
 CEE7/7, 1,5 m
 US plug: IEC type B, NEMA
 5-15P, 1,5 m
 NO PLUG, 1,5 m



Note! All units are in [mm] unless others are stated.