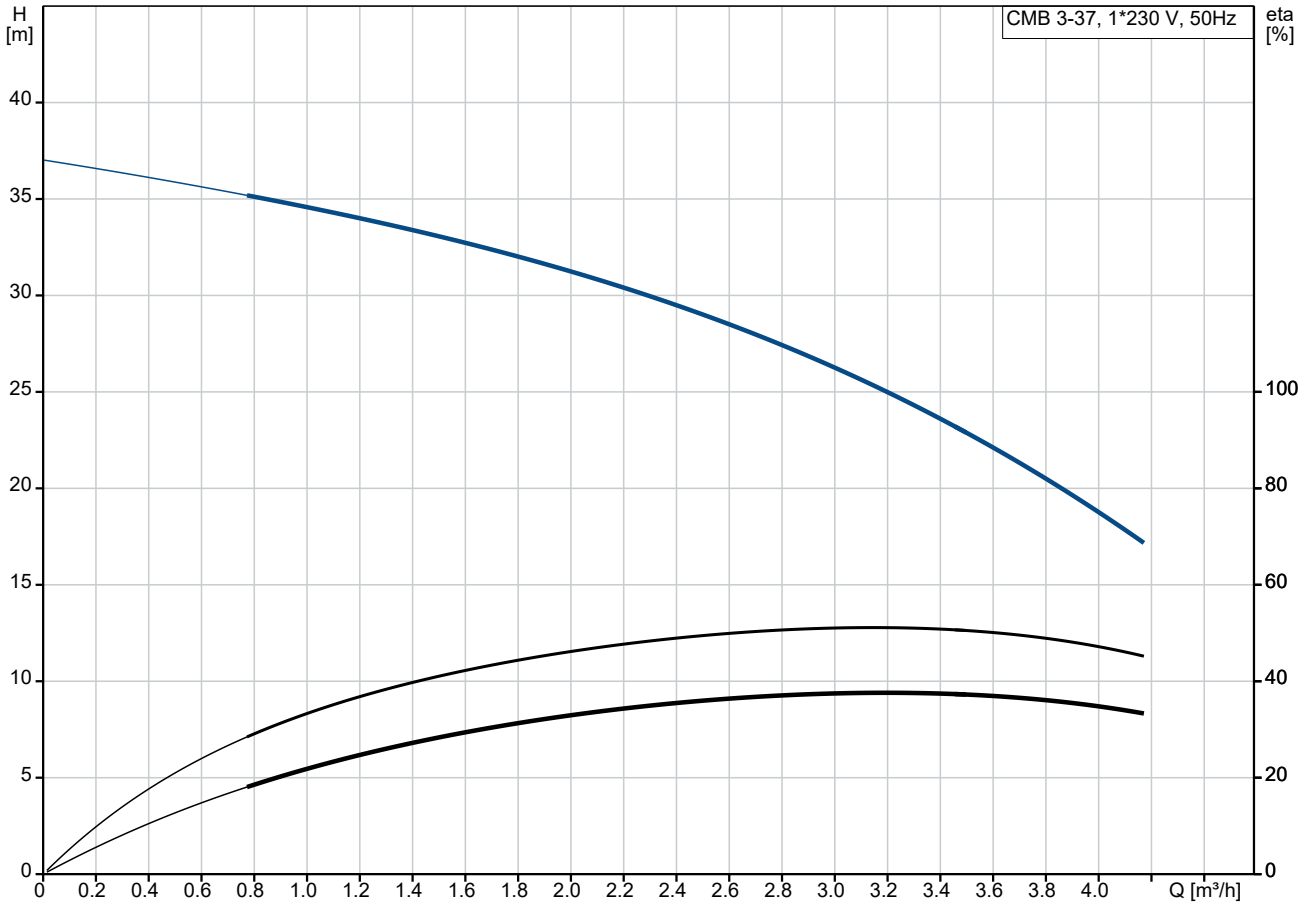


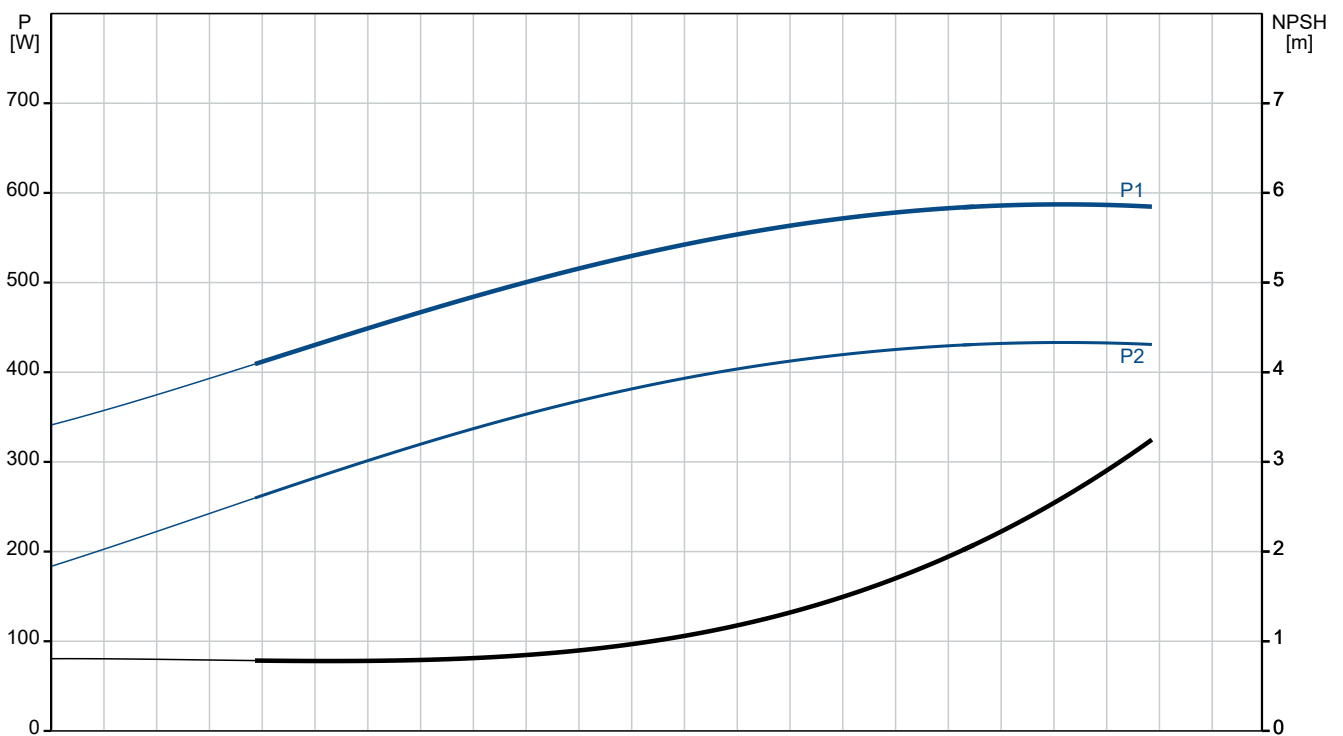


Company name: Land and Water Technology  
Created by:  
Phone: 08 9209 3330  
Email: orders@landwater.com.au  
Date: 2/15/2023

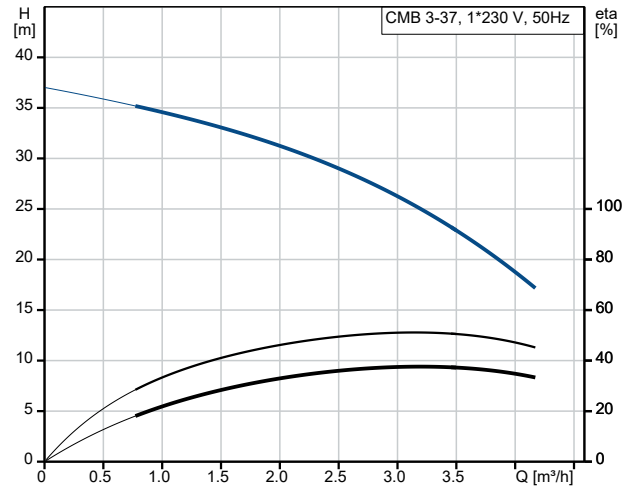
### 97530133 CMB 3-37 A-C-A-A-A-A 50 Hz



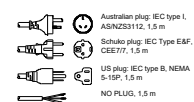
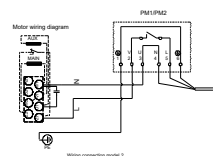
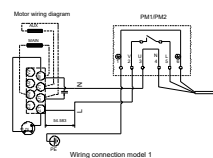
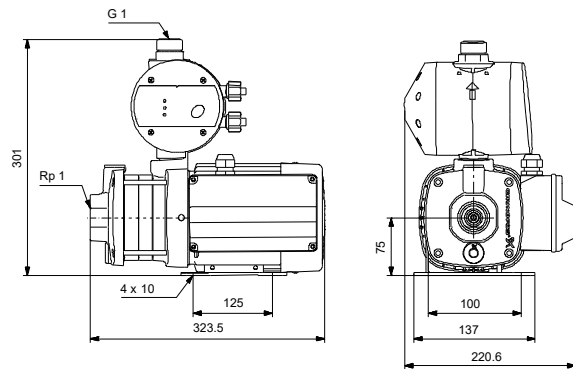
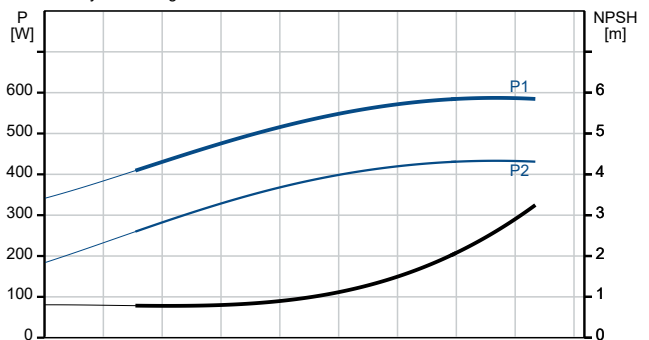
Pumped liquid = Water  
Liquid temperature during operation = 293 K  
Density = 998.2 kg/m³



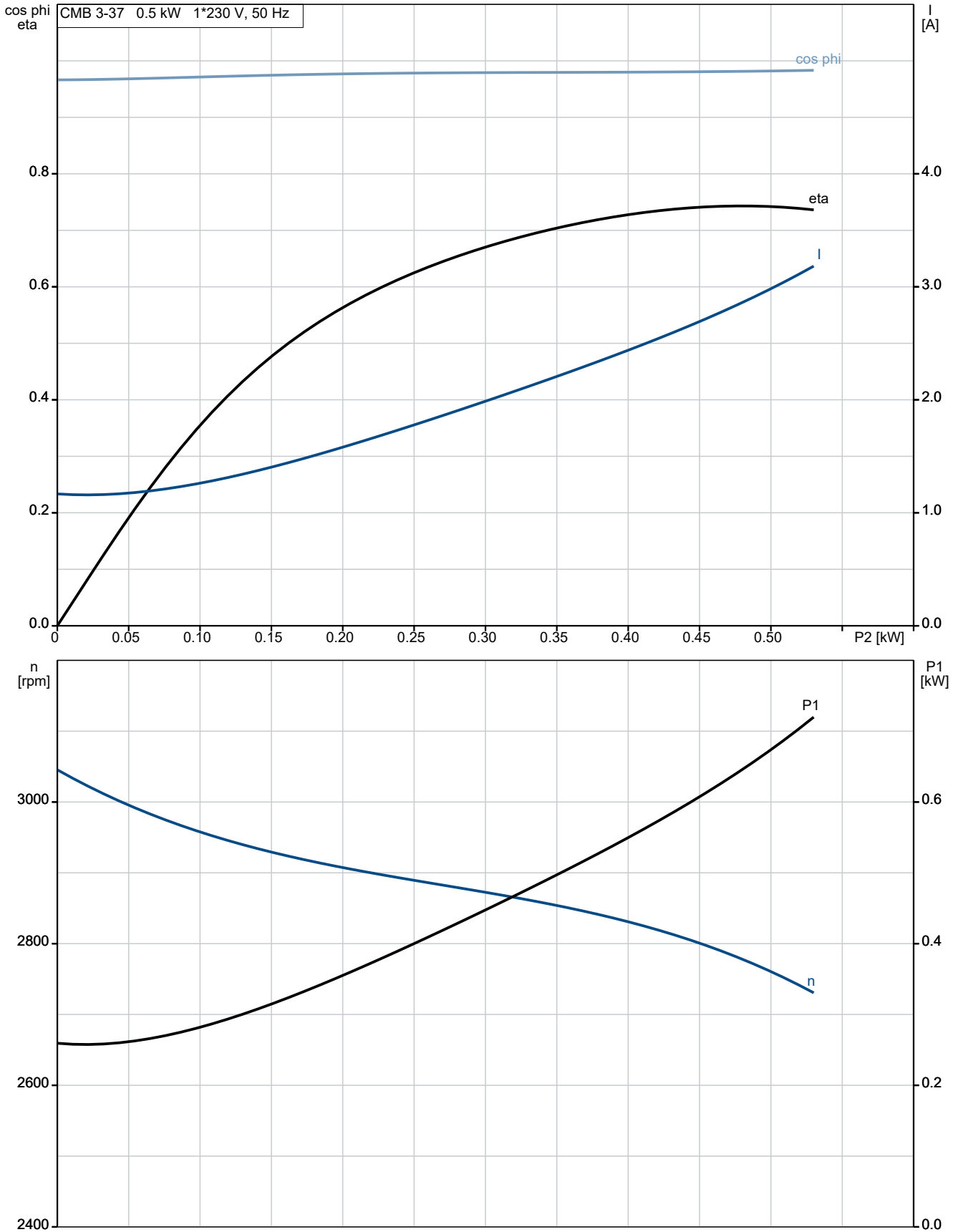
Description	Value
<b>General information:</b>	
Product name:	CMB 3-37 A-C-A-A-A-A
Product No:	97530133
EAN number:	5700317867079
<b>Technical:</b>	
Pump speed on which pump data are based:	2900 rpm
Rated flow:	3.1 m <sup>3</sup> /h
Rated head:	27.7 m
Impellers:	4
Code for shaft seal:	AVBE
Approvals:	CE,RCM
Model:	A
Return valve:	YES
Start pressure:	PM1 - 1.5 bar
Tank volume:	NONE I
<b>Materials:</b>	
Pump housing:	Cast iron
Pump housing:	EN 1561 EN-GJL-200
Pump housing:	ASTM A48-30B
Impeller:	Stainless steel
Impeller:	EN 1.4301
Impeller:	AISI 304
Code for rubber:	EPDM
<b>Installation:</b>	
Max. ambient:	323 K
Maximum operating pressure:	1000 kPa
Pipe connection standard:	ISO 228-1
Type of inlet connection:	Rp
Type of outlet connection:	G
Size of inlet connection:	1
Size of outlet connection:	1
Pressure rating for connection:	PN 10
<b>Liquid:</b>	
Pumped liquid:	Water
Liquid temperature range:	273 .. 333 K
Selected liquid temperature:	293 K
Density:	998.2 kg/m <sup>3</sup>
<b>Electrical data:</b>	
Rated power - P2:	0.5 kW
Mains frequency:	50 Hz
Rated voltage:	1 x 220-240 V
Maximum current consumption:	3.1-2.8 A
Rated speed:	2730-2740 rpm
Enclosure class (IEC 34-5):	IP55
Insulation class (IEC 85):	F
Built-in motor protection:	TP 211
Length of cable:	1.5 m
Power plug:	Australian plug
<b>Controls:</b>	
Type of connector:	Type I (AS/NZS 3112)
<b>Others:</b>	
Net weight:	13.8 kg
Gross weight:	17.5 kg
Sales region:	Australia
Country of origin:	CN
Custom tariff no.:	84137090621519197



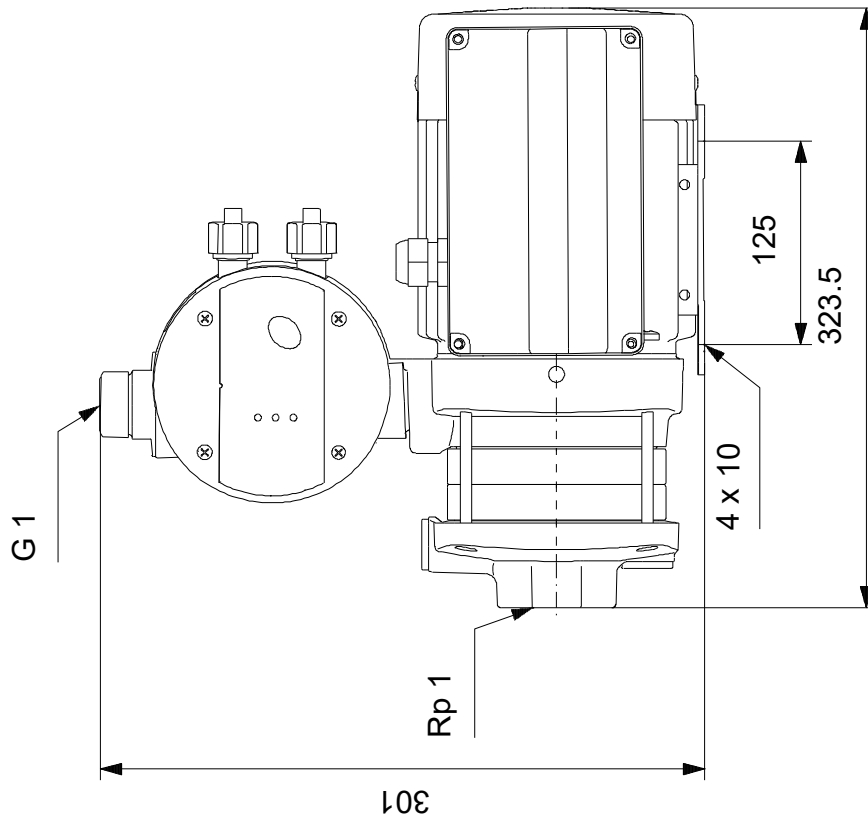
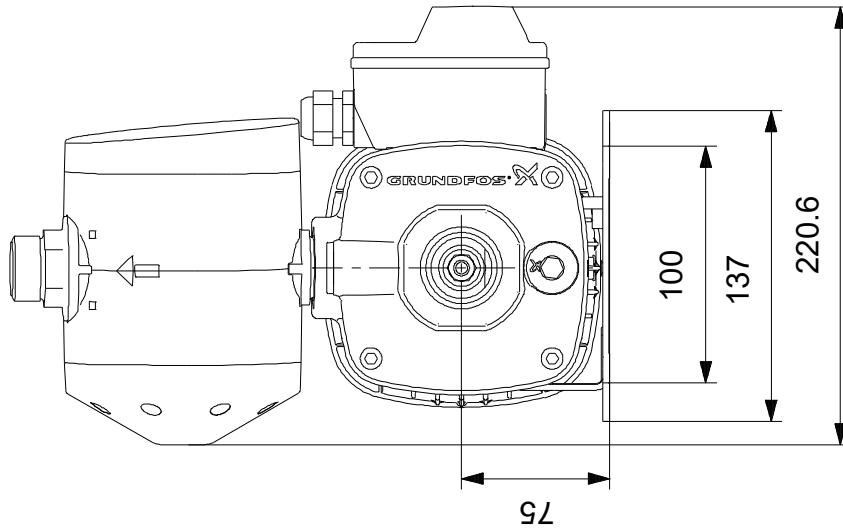
Pumped liquid = Water  
 Liquid temperature during operation = 293 K  
 Density = 998.2 kg/m<sup>3</sup>



## 97530133 CMB 3-37 A-C-A-A-A-A 50 Hz



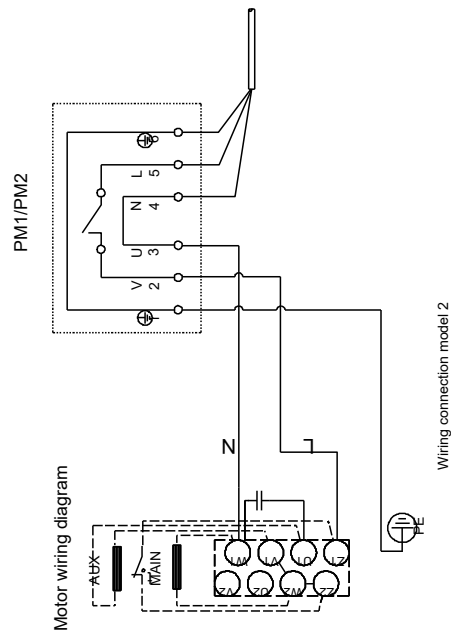
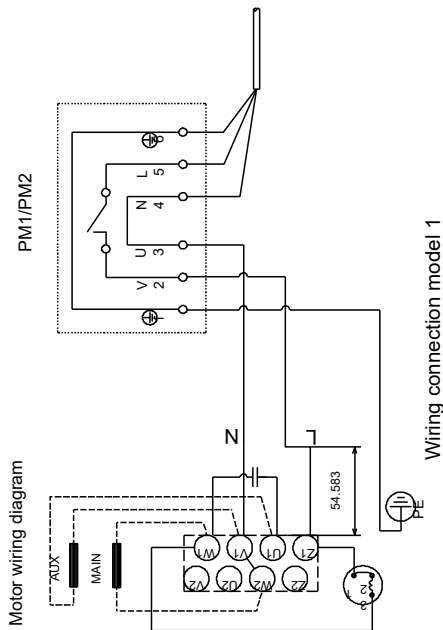
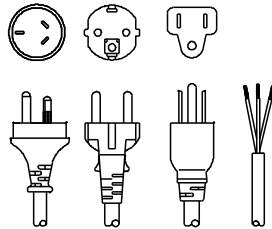
## 97530133 CMB 3-37 A-C-A-A-A-A 50 Hz



Note! All units are in [mm] unless others are stated.  
Disclaimer: This simplified dimensional drawing does not show all details.

## 97530133 CMB 3-37 A-C-A-A-A-A 50 Hz

Australian plug: IEC type I,  
 AS/NZS3112, 1,5 m  
 Schuko plug: IEC Type E&F,  
 CEE7/7, 1,5 m  
 US plug: IEC type B, NEMA  
 5-15P, 1,5 m  
 NO PLUG, 1,5 m



Note! All units are in [mm] unless others are stated.