

Qty.	Description
------	-------------

1	LIFTAWAY C40-1
---	-----------------------



Note! Product picture may differ from actual product

Product No.: [96003985](#)

Collecting tank for grey wastewater

The 30-litre tank is designed to be equipped with a Unilift KP pump to get a compact lifting station for installation below sewer level.

The tank has a vent with charcoal filter and an overflow protection.

The lifting station is suitable for pumping grey wastewater with a maximum particle size of 10 mm from washing machines, showers, washbasins, sinks, etc.

The lifting station must not pump wastewater containing discharge from toilets.

The tank has three side inlets, DN 40, and one top inlet, DN 40 or 50. The outlet is DN 40.

The pipe kit delivered with the tank includes a non-return flap valve and lever arm guide, which is to be clipped onto the pump for reliable start and stop.

The pump must be ordered separately. You can choose the pump from the UNILIFT KP range. The pump must have a float switch for automatic start and stop, version A1.

Liquid:

Liquid temperature range: 5 .. 50 °C

Technical:

Approvals: CE, MORO

Non-return valve type: FLAP VALVE

Number of pumps: 1

Materials:

Tank: Plastic

Installation:

Maximum ambient temperature: 40 °C

Inlet connection towards system: DN 40, DN 40/50

Outlet connection towards system: DN 40

Others:

Net weight: 2.7 kg

Gross weight: 3.2 kg

Fits to following products: KP150/KP250

Danish VVS No.: 391391040

Swedish RSK No.: 5885720

Finnish LVI No.: 4965355

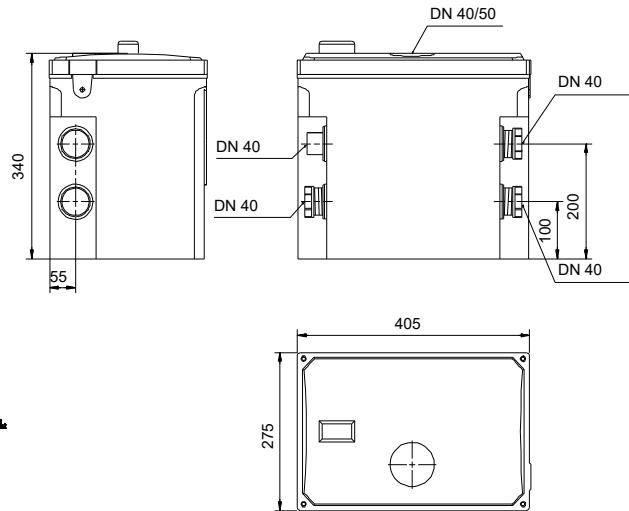
Norwegian NRF no.: 9045503

Country of origin: DE

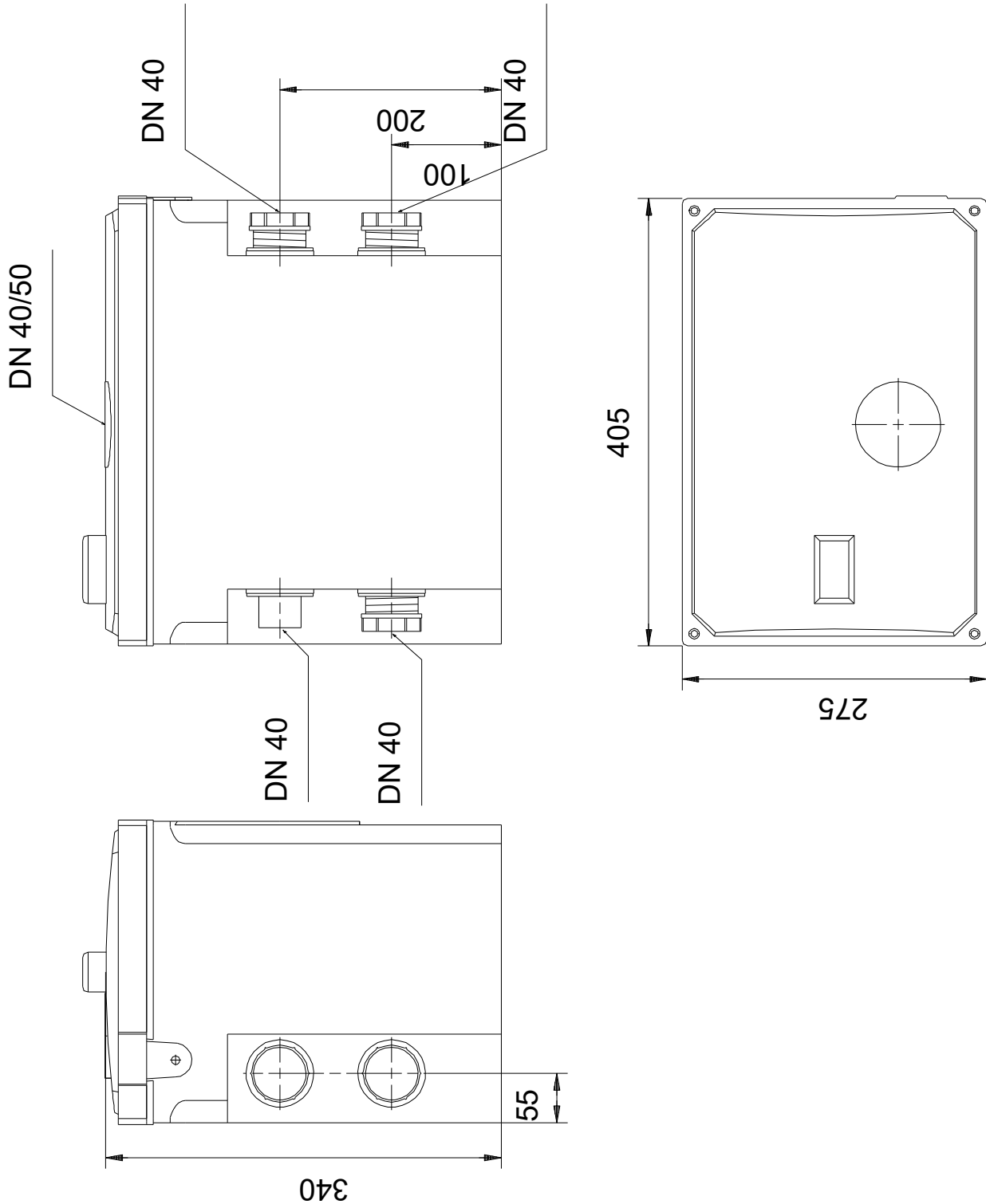
Custom tariff no.: 8413709019182742

Environmental approvals: WEEE

Description	Value
General information:	
Product name:	LIFTAWAY C40-1
Product No:	96003985
EAN number:	5708601059148
Technical:	
Approvals:	CE, MORO
Non-return valve type:	FLAP VALVE
Number of pumps:	1
Materials:	
Tank:	Plastic
Installation:	
Maximum ambient temperature:	40 °C
Inlet connection towards system:	DN 40, DN 40/50
Outlet connection towards system:	DN 40
Liquid:	
Liquid temperature range:	5 .. 50 °C
Others:	
Net weight:	2.7 kg
Gross weight:	3.2 kg
Fits to following products:	KP150/KP250
Danish VVS No.:	391391040
Swedish RSK No.:	5885720
Finnish LVI No.:	4965355
Norwegian NRF no.:	9045503
Country of origin:	DE
Custom tariff no.:	8413709019182742
Environmental approvals:	WEEE



96003985 LIFTAWAY C40-1



Note! All units are in [mm] unless others are stated.
Disclaimer: This simplified dimensional drawing does not show all details.

