

PRODUCT DATA SHEET

BIA B42AC • 805140



BRAND

**BIANCO
PUMPZ**

PRODUCT DETAILS

The Bianco B42AC is a 'High Head' multi-impeller submersible type pump suitable for supplying pressurised water from tanks.

Designed for use with any clear (clean and pre-treated) water the B42 pump family are best known for their reliability and performance when delivering treated wastewater to pressure compensating dripper beds

BENEFITS

- Slotted stainless steel strainer inhibits algal blockage
- Elevated (88mm) intake to avoid sludge layer
- Light weight - easy to lift and lower
- Great energy efficiency for reduced running costs
- Drinking water
- General hobby activity

FEATURES

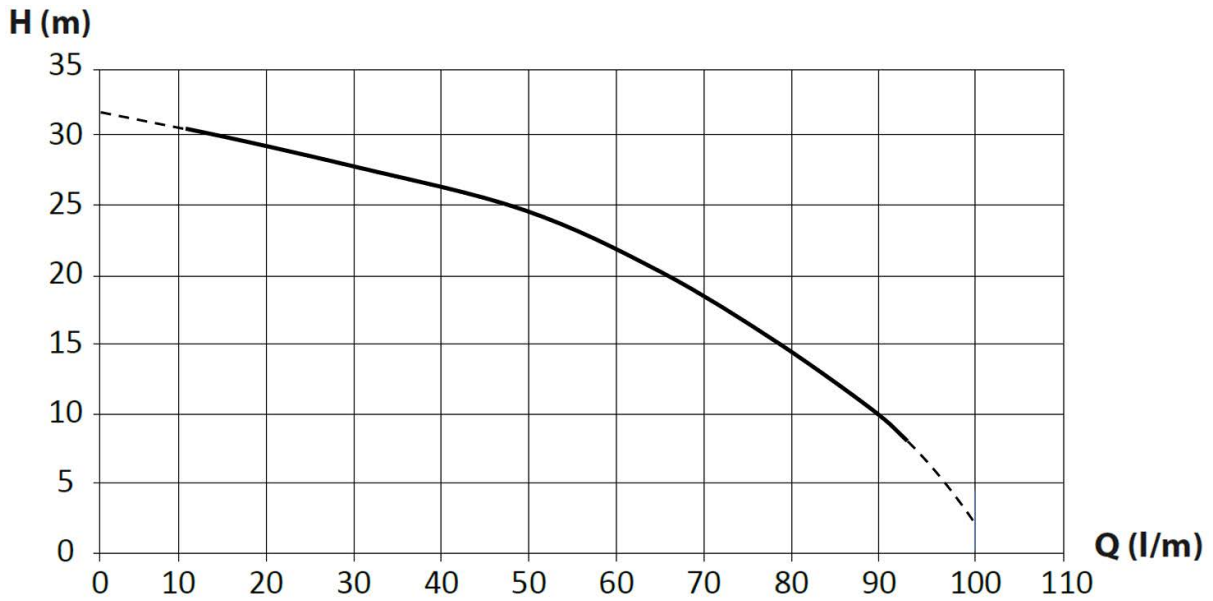
- Quality pump materials and construction to ensure reliable operation
- 5 star energy rating
- Dual mechanical seals (Carbon/Ceramic pump side, Silicon Carbide / Ceramic motor side) in an oil bath.
- 10m H07RN-F Neoprene power lead and float lead
- Automatic on/off
- Easy to install and use

TECHNICAL DATA

RATED POWER (W)	550W
MAX. FLOW [LPM]	95 lpm
RATED FLOW [M3/H]	1 m3/h
MAX. HEAD [M]	32m
WORKING TEMPERATURE	< 40°C
LIQUID TEMPERATURE	2°C - 35°C
MAX. IMMERSION DEPTH	12m
MAX. DIA. OF PARTICLE	< 2mm
MOTOR DUTY	Continuous
MOTOR PROTECTION LEVEL	Class B
MOTOR PROTECTION	In-built auto re-setting thermal overload
CAPACITOR	18 uF
MOTOR SHAFT	Stainless Steel 410

RATED VOLTAGE	220V-240V 50 Hz
RATED CURRENT	3.4A @ 230V
POWER CABLE TYPE	H07RN-F
LENGTH OF POWER CABLE	10m
PROTECTION CLASS	IP68
IMPELLERS	3 of Noryl
HYDRAULIC BODY	Glass filled Nylon
INLET STRAINER	Yes - slotted and elevated
OUTLET	1" BSPF
MECHANICAL SEALS	Carbon/Ceramic pump side.Silicon Carbide/ceramic motor side
AUTOMATION FUNCTION	Flexible Float Switch
NET WEIGHT (KG)	Pump only 12.0kg
PACKAGE DIMENSION	225Lx163Wx490H (mm)

HYDRAULIC PERFORMANCE



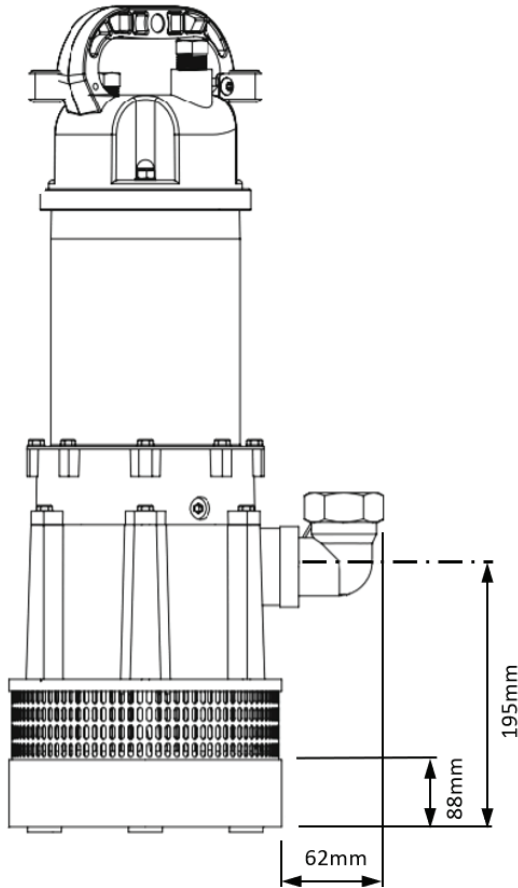
DIMENSIONS

DIMENSIONS

490 mm high

BASE DIAMETER

163 mm



WARRANTY / CERTIFICATIONS

