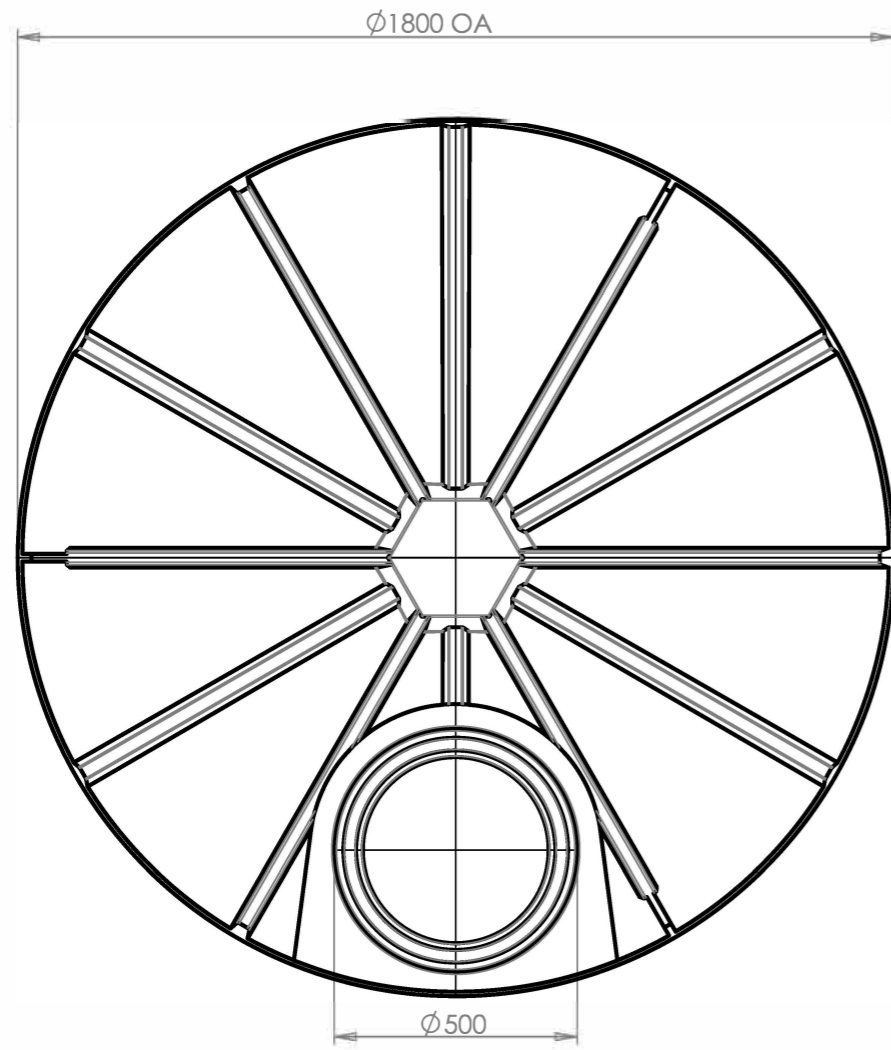
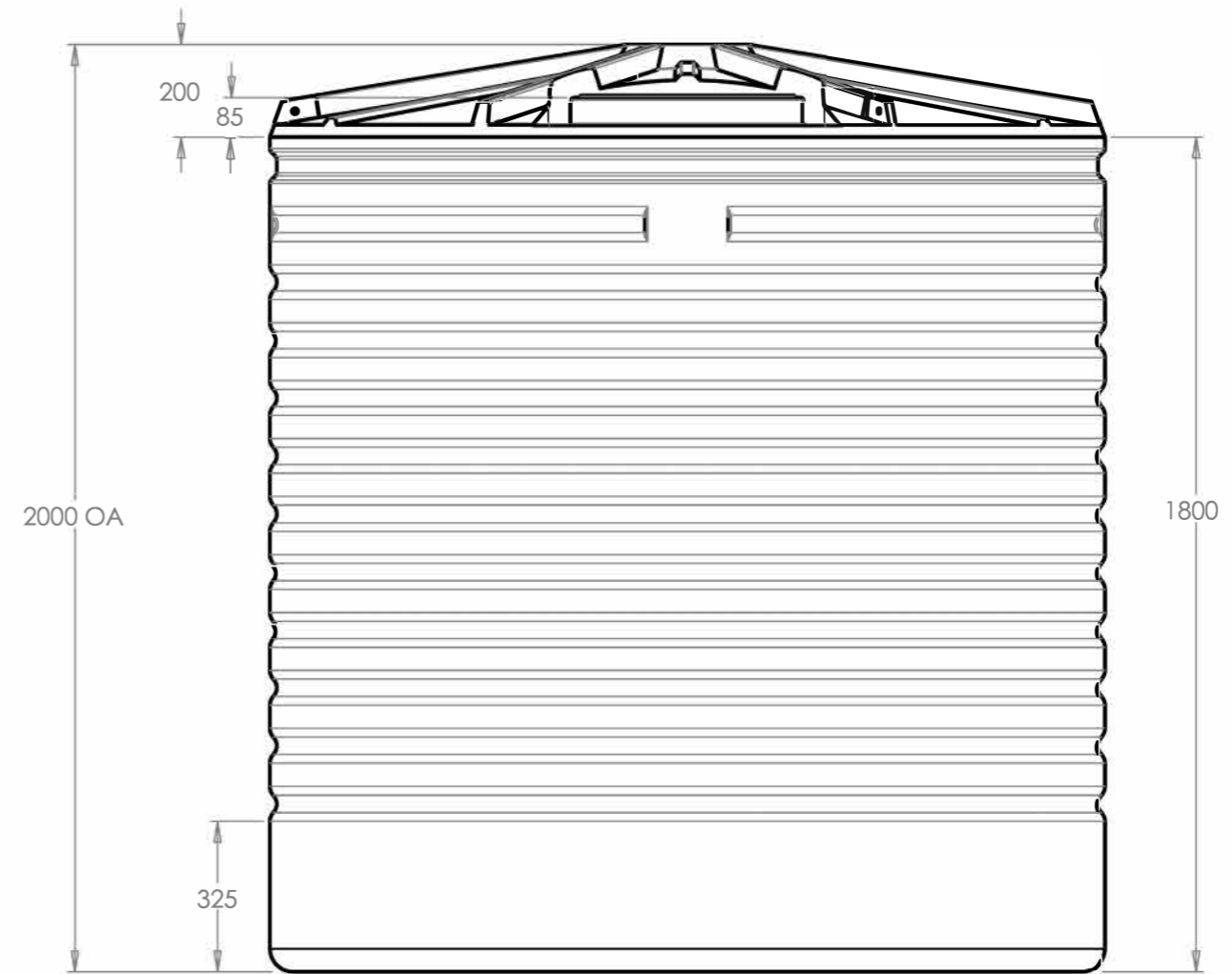



# STORAGE TANK 4,500L



**PLAN VIEW**



**SIDE VIEW**

REV	DESCRIPTION	DATE	DESCRIPTION: 4,500L STORAGE TANK FILE NAME: 1000 Gal Storage Tank		CUSTOMER:	DATE:	 <b>A3</b> <b>12-567</b>
1	REVISIONS		This drawing is the property of West Coast Poly. It cannot be copied in part or full without the written permission of West Coast Poly.			SCALE: 1:15 SHEET 1 OF 1	


**westcoastpoly**  
 COMPLETE TANK SOLUTIONS  
 2 Uppsala Place,  
 Canning Vale 6155,  
 Western Australia.  
 T: +61 (08) 9456 5888  
 F: +61 (08) 9456 5855  
 E: sales@westcoastpoly.com.au

NOTE: ALL TOLERANCES  $\pm 10$ mm UNLESS NOTED OTHERWISE