

3" Lite TDS

3" Lite TDS Filter with Screen
or Disc Filtration Element



flowrate

**Up to 50 m³/h
(220 gpm)**

filtration degrees

20-500 micron

diameter

3"

max. operating pressure

8 bar (116 psi)

features:

- Interchangeable filter elements; disc or screen, for a wide range of flowrates 15 - 50 m³/h (66-220 gpm)
- Multiple filtration degrees 20 - 500 micron
- Excellent mechanical strength and corrosion resistance for chemical compatibility
- Low pressure loss
- Easy to install and maintain, no tools required for rinsing
- Wide range of applications for the Irrigation, Turf & Landscape and Industrial markets

3" Lite TDS Filter with Screen or Disc Filtration Element

General

With a variety of filter elements, Amiad all-purpose plastic filters are made for a wide range of filtering applications and filtration degrees and are easy to install and maintain. They are constructed from high quality engineered-polymeric materials providing excellent mechanical strength, durability and chemical resistance.

Amiad plastic filters need no tools for dismantling or removing the filter element from the filter housing for rinsing; visually monitoring the status of the filter element without disrupting the water flow is easily done with Amiad's innovative clogging indicator connected to the filter's pressure check points.

Filter Elements

Amiad supplies a variety of filter elements for its polymeric filters that cover a wide range of flowrates, filtration degrees and applications.

Screen Elements: [1]

The screen elements are constructed of molded plastic ribs that support a stainless steel weave-wire screen for filtration degrees of 50-500 micron.

The screen elements are designed to remove suspended solids containing sand and organic substances, easy to rinse manually once taken out of the main filter. The filter can withstand a high pressure differential of up to 8 bar (116 psi) under clogged conditions.



[1] 3" Lite TDS Screen option

Disc Elements: [2]

The disc elements are designed for effective removal of organic substances and are constructed using engineered plastic discs that are stacked onto a telescopic core. The discs are grooved on both sides and intersect to form the filtration element when compressed, are color coded to allow easy micron definition of each micron degree and are available from 20-400 micron.

Cleaning the disc element is made simple by the unique design of the telescopic core which made simple discs to separate during the cleaning process while maintaining perfect sealing when the element is in the filter housing.



[2] 3" Lite TDS Disc option

Filtration Degrees Available

The following table lists the various filter elements of Amiad & Arkal plastic filters line and the optional filtration degrees for each filter element. For ease of operation and maintenance the filter elements are color coded. Please consult your dealer for the most suitable filter element for your application requirements.

3" Lite TDS filter micron degree color codes - Disc

Color Code Micron	20	40	55	70	100	130	200	400
PP Disc	•	•	•	•	•	•	•	•

3" Lite TDS filter micron degree color codes - Screen

Color Code Micron	50	80	100	130	200	500
PP with St. St.	•	•	•	•	•	•

Technical Specifications

Filter Type 3" Lite TDS

General Data

Inlet/outlet diameter		3" (80 mm)
Max. recommended flowrate	100-400 μ	50 m ³ /h (220 gpm)
	70 μ	40 m ³ /h (176 gpm)
	55 μ	34 m ³ /h (150 gpm)
Standard filtration degrees		Screen: 50, 80, 100, 130, 200, 300, 500 micron Disc: 20, 40, 55, 70, 100, 130, 200, 400 micron
Max. working pressure		8 bar (116 psi)
Max. working temperature		60°C (170°F)
Weight [empty]		Screen: 5.1 kg (11.2 lbs) Disc: 6.3 kg (14.0 lbs)

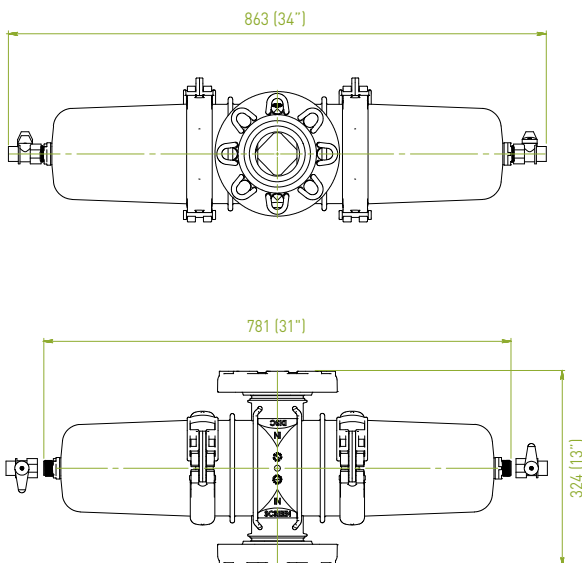
Filter Element Data

Filter area	Screen: 1,570 cm ² (243 in ²) Disc: 1,900 cm ² (294.5 in ²)
Filter element type	Weave-Wire Screen, Disc Element

Construction Materials

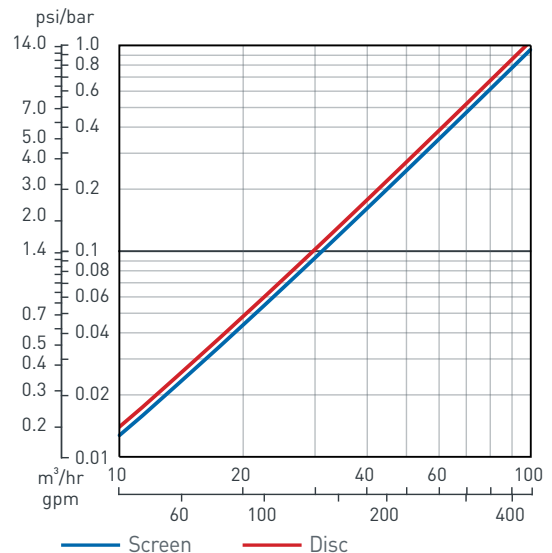
Filter housing	Polypropylene
Filter lid clamp	Reinforced Polyamide
Filter lid seal	EPDM
Screen	Polypropylene + Glass Fibers Mesh = St. St. Seals = NBR
Disc	Polypropylene

Typical Installation Drawing



Dim: mm (inch)

Pressure Loss Graph in clean water



* head loss is calculated based on 130 micron disc or screen under clean water conditions

Headquarters

Amiad Water Systems Ltd. D.N. Galil Elyon 1, 1233500, Israel
Tel: 972 4 690 9500, Fax: 972 4 814 1159
E-mail: info@amiad.com

America



Amiad USA Inc. Main Office and Manufacturing: 120-J Talbert Road, Mooresville, NC 28117,
Tel: 1 704 662 3133, Fax: 1 704 662 3155, Toll Free: 1 800 24 FILTER,
E-mail: info@amiadusa.com www.amiadusa.com

West Coast Sales Office and Warehouse:
2220 Celsius Avenue, Oxnard, California 93030
Tel: 805 988 3323, Fax: 805 988 3313, Toll Free: 1 800 969 4055

Brazil

Amiad Sistemas de Água Ltda., Av. Funchal, 411, Conj. 42, Vila Olímpia, São Paulo, CEP 04551-060
Tel: +55 11 31923824, E-mail: infobrasil@amiad.com

Amiad Oil & Gas, E-mail: amisur@adinet.com.uy

Mexico

Amiad Mexico SA DE CV, Vialidad de la Barranca 6 Piso 4
Col. Ex Hacienda de Jesus del Monte. 52772. Huixquilucan (Interlomas), Edo de Mexico
Tel/Fax: +52 55 636 28122, E-mail: info@amiadmexico.com

Asia



India

Amiad Filtration India Pvt Limited, 305 Sai Commercial Building,
Govandi St Rd, Govandi Mumbai 400 088,
Tel: 91 22-67997813/14, Fax: 91 22-67997814, Email: info@amiadindia.com

China

Amiad China (Yixing Taixing Environtec Co., Ltd.) 70 Baihe Chang, Xingjie Yixing Jiangsu, 214204,
Tel: 86 510 87134000, Fax: 86 510 87134999, E-mail: marketing@taixing.com

South-East Asia

Filtration & Control Systems Pte. Ltd., 22 Sin Ming Lane #07-88 Midview City, Singapore 573969,
Tel: 65 6 337 6698, Fax: 65 6 337 8180, E-mail: amiad@amiad.com.sg

Australia



Amiad Australia Pty Ltd. 138 Northcorp Boulevard, Broadmeadows, Victoria 3047,
Tel: 61 3 93585800, Fax: 61 3 93585888, E-mail: sales@amiad.com.au

Europe



Amiad Water Systems Europe SAS, Ilot No4 ZI La Boitardière, 37530 Chargé, France,
Tel: 33 (0) 2 47 23 01 10, Fax: 33 (0) 2 47 23 80 67, E-mail: info@amiad-europe.com

Amiad Water Systems Europe SAS (Irrigation Division)
100 avenue de l'Anguillon, Z.I. des Iscles, 13160 Chateaufort,
Tel: +33 (0) 4 32 60 10 01, Fax +33 (0) 4 32 60 60 85

Germany

Amiad Water Systems SAS Europe (German branch office)
Zweigniederlassung Deutschland Prinz-Regent-Str. 68 a 44795 Bochum,
Tel: 49 (0) 234 588082-0, Fax: 49 (0) 234 588082-10, E-mail: info@amiad.de

Turkey

FTS – Filtration & Treatment Systems, Istanbul yolu 26 Km, Yurt Orta Sanayii, Saray, Ankara,
Tel: 90 312 8155266/7, Fax: 90 312 8155248, E-mail: info@fts-filtration.com

