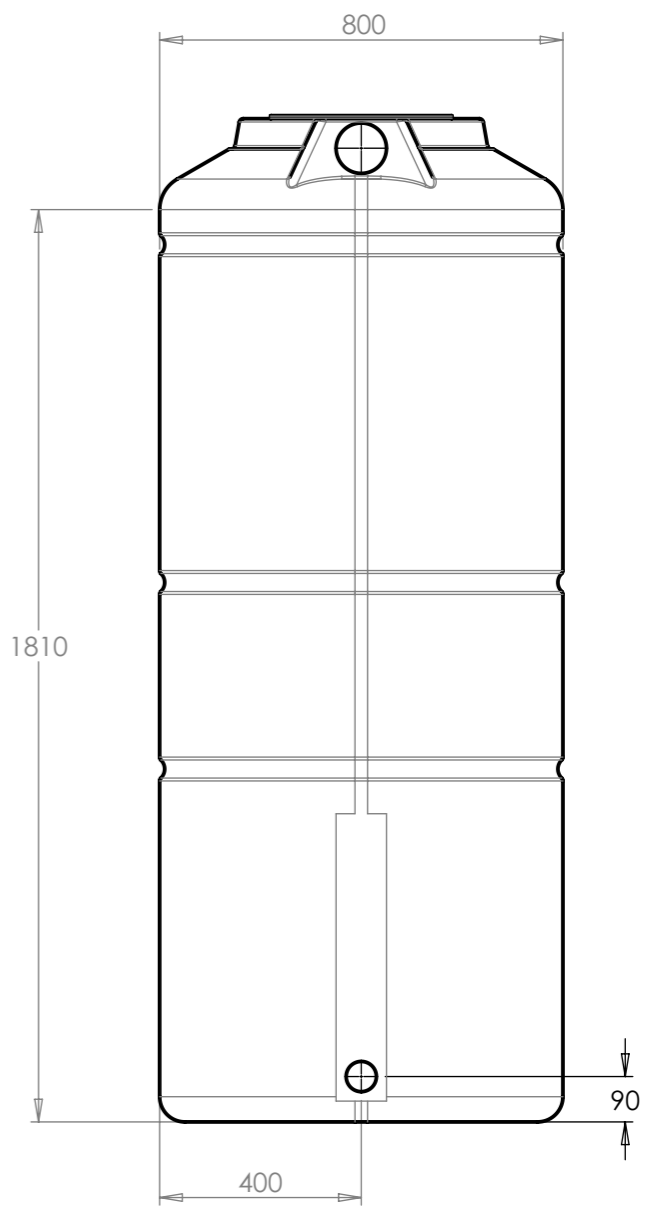
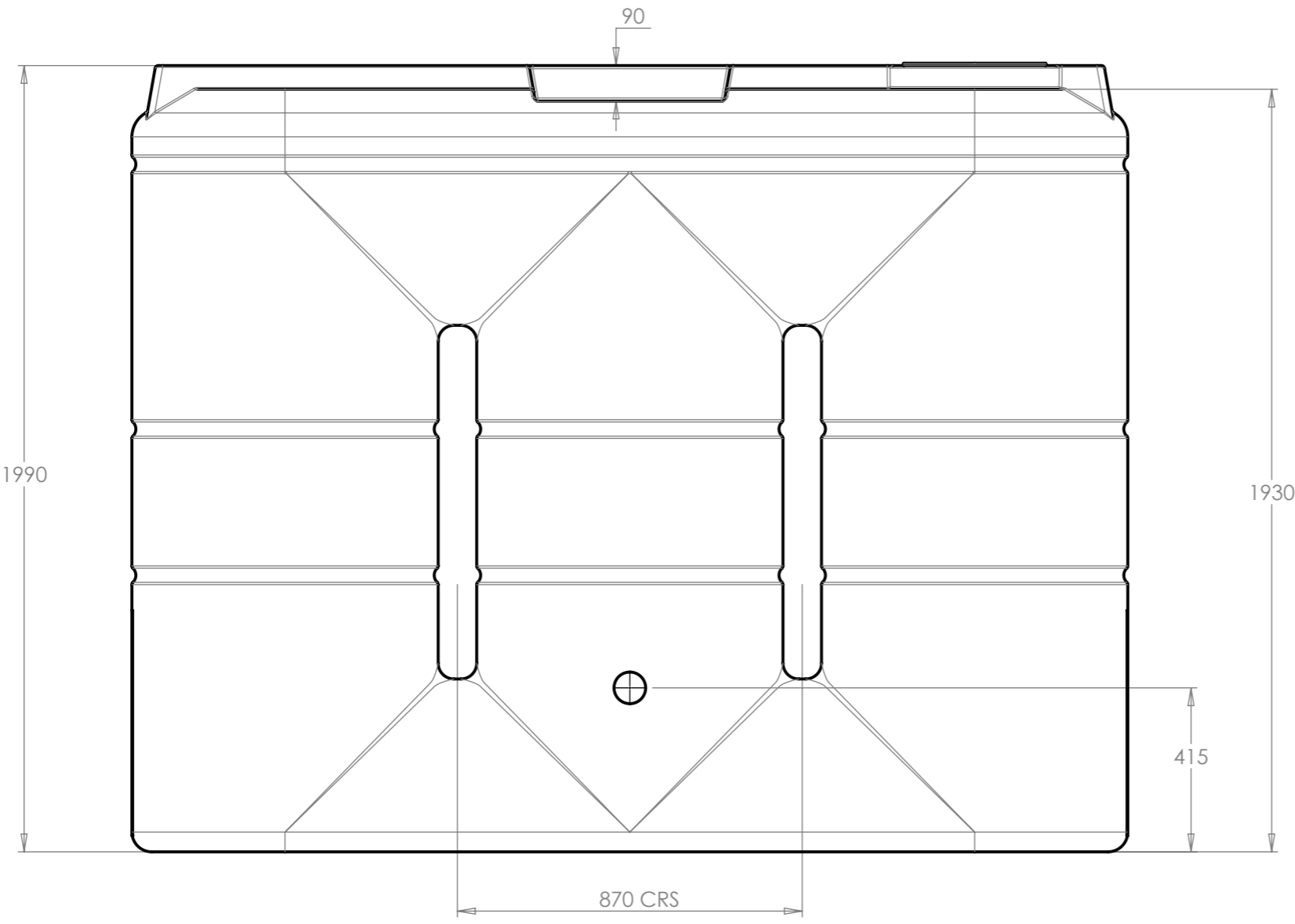
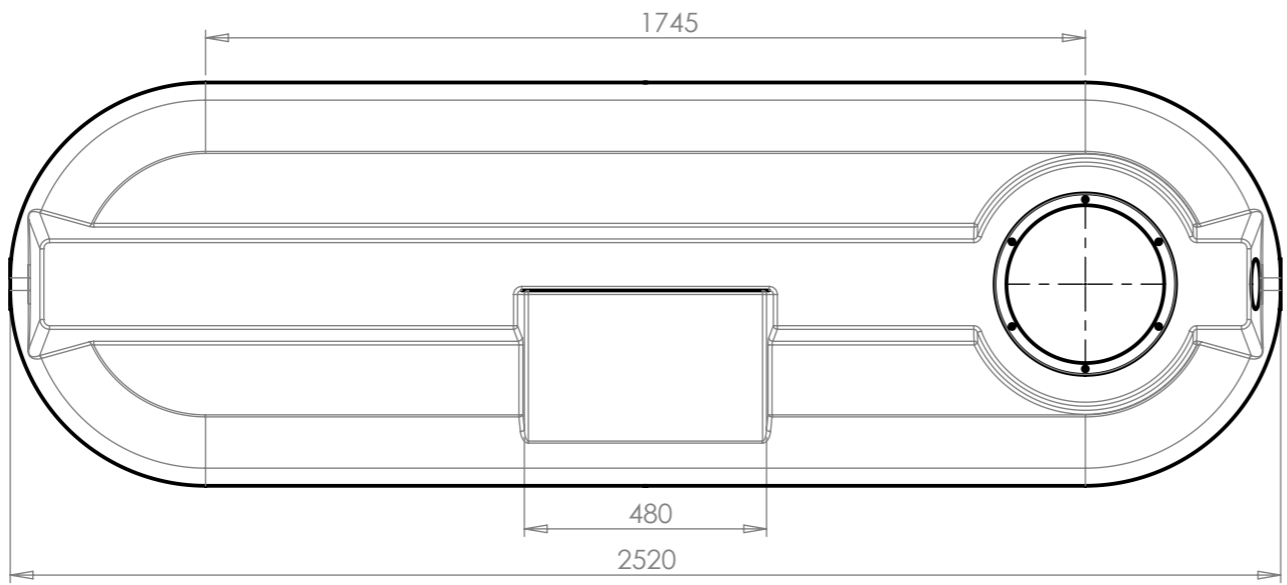


WATER STORAGE SLIMLINE TANK 3,000L



REV	DESCRIPTION	DATE
1		

westcoastpoly
COMPLETE TANK SOLUTIONS

2 Uppsala Place,
Canning Vale 6155,
Western Australia.

T: +61 (08) 9456 5888
F: +61 (08) 9456 5855
E: sales@westcoastpoly.com.au

NOTE: ALL TOLERANCES ±10mm
UNLESS NOTED OTHERWISE

DESCRIPTION: 3,000lt SLIMLINE STORAGE TANK
FILE NAME: 3000lt Slimline Storage Tank

CUSTOMER:

DATE:

SCALE: 1:15

SHEET 1 OF 1

A3

12-567

This drawing is the property of West Coast Poly. It cannot be copied in part or full without the written permission of West Coast Poly.