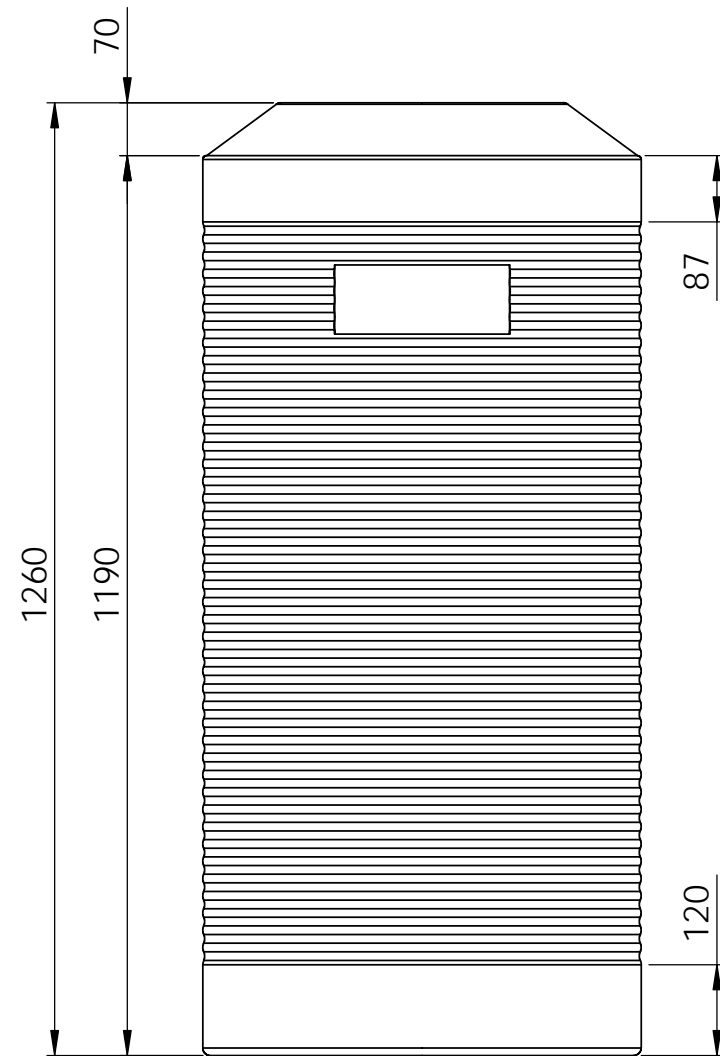
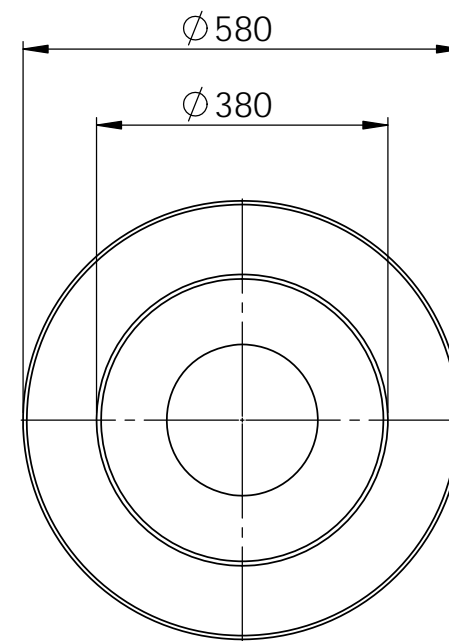


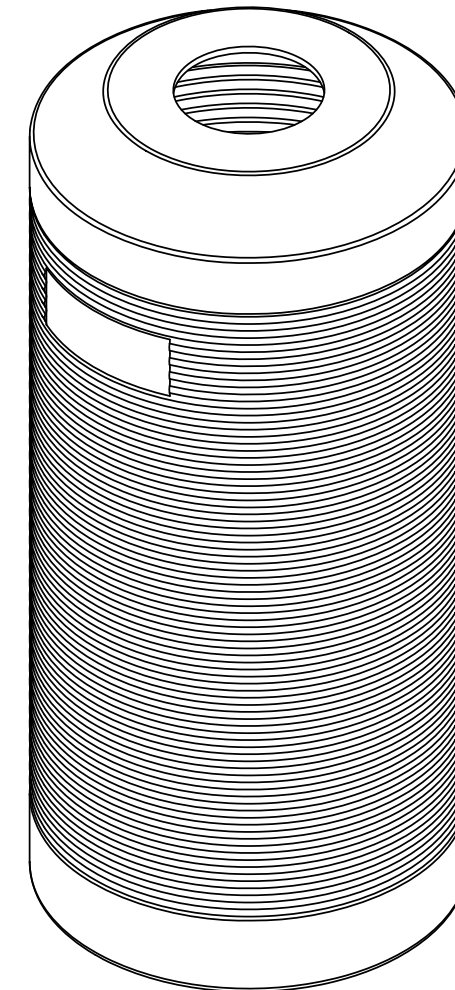
# STORAGE TANK 320L



SIDE VIEW



TOP VIEW



REV	DESCRIPTION	DATE

REVISIONS



NOTE: ALL TOLERANCES  $\pm 10\text{mm}$   
UNLESS NOTED OTHERWISE

2 Uppsala Place,  
Canning Vale 6155,  
Western Australia.  
T: +61 (08) 9456 5888  
F: +61 (08) 9456 5855  
E: sales@westcoastpoly.com.au

DESCRIPTION: 320lt STORAGE TANK  
FILE NAME: 320L (70 gallon) STORAGE TANK

CUSTOMER:

DATE:  
SCALE: 1:10  
SHEET 1 OF 1



A3

20-567

This drawing is the property of West Coast Poly. It cannot be copied in part or full without the written permission of West Coast Poly.