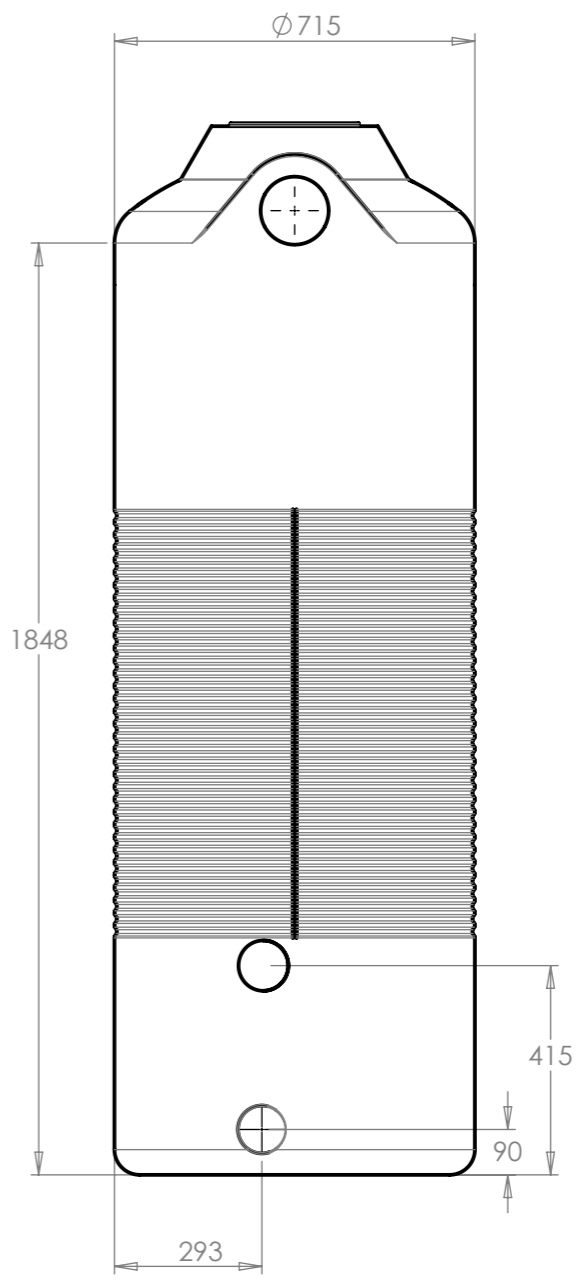
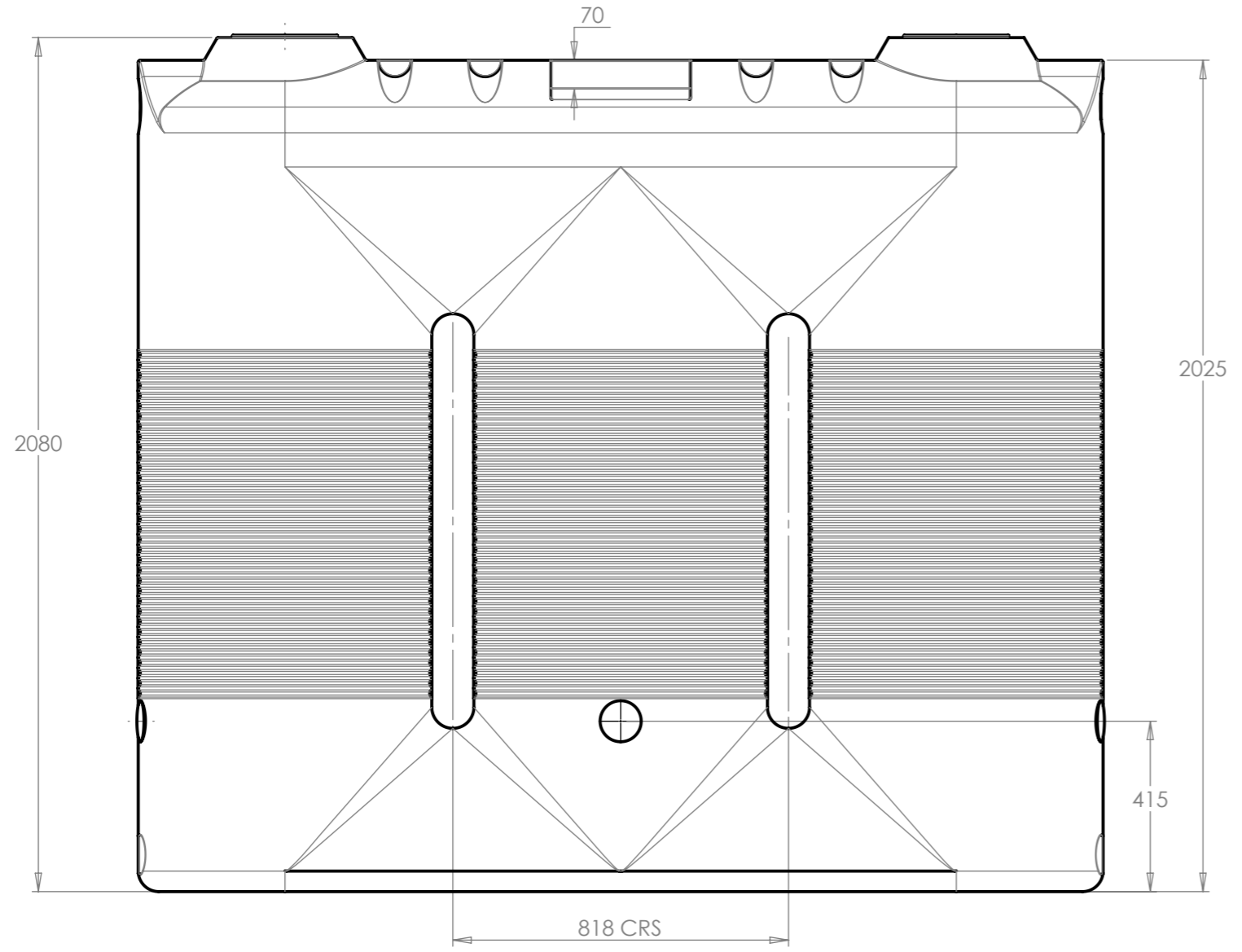
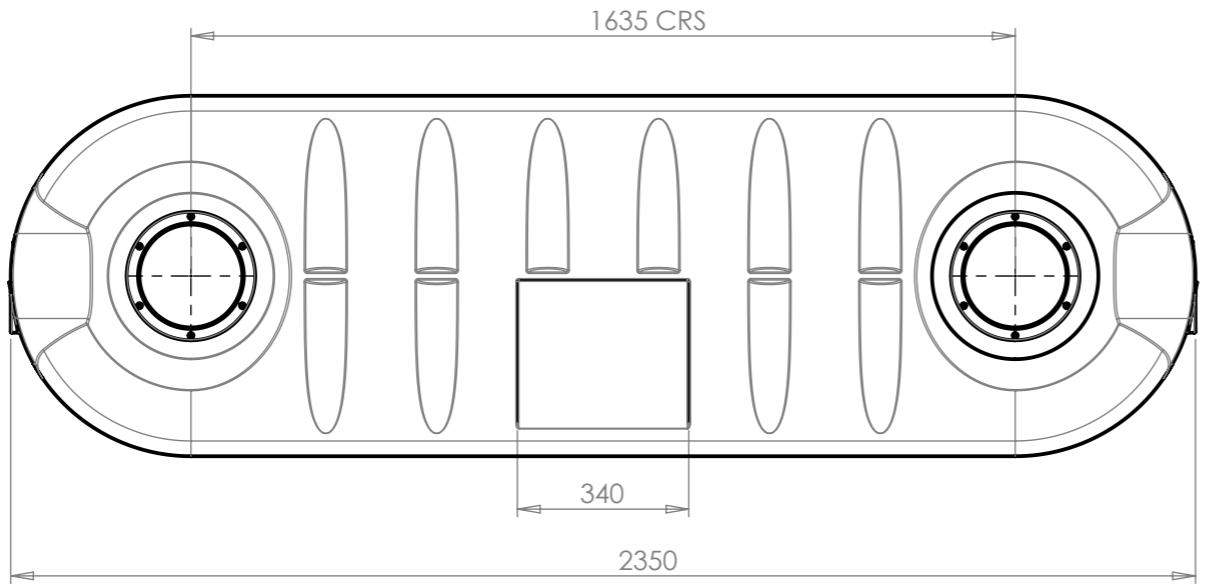


WATER STORAGE SLIMLINE TANK 2,500L



REV	DESCRIPTION	DATE
1		

westcoastpoly
COMPLETE TANK SOLUTIONS

2 Uppsala Place,
Canning Vale 6155,
Western Australia.
T: +61 (08) 9456 5888
F: +61 (08) 9456 5855
E: sales@westcoastpoly.com.au

NOTE: ALL TOLERANCES ±10mm
UNLESS NOTED OTHERWISE

DESCRIPTION: 2,500lt SLIMLINE STORAGE TANK
FILE NAME: 2,500lt (560 gallon) SLIMLINE STORAGE TANK

CUSTOMER:

DATE:
SCALE: 1:15
SHEET 1 OF 1

A3
12-567

This drawing is the property of West Coast Poly. It cannot be copied in part or full without the written permission of West Coast Poly.