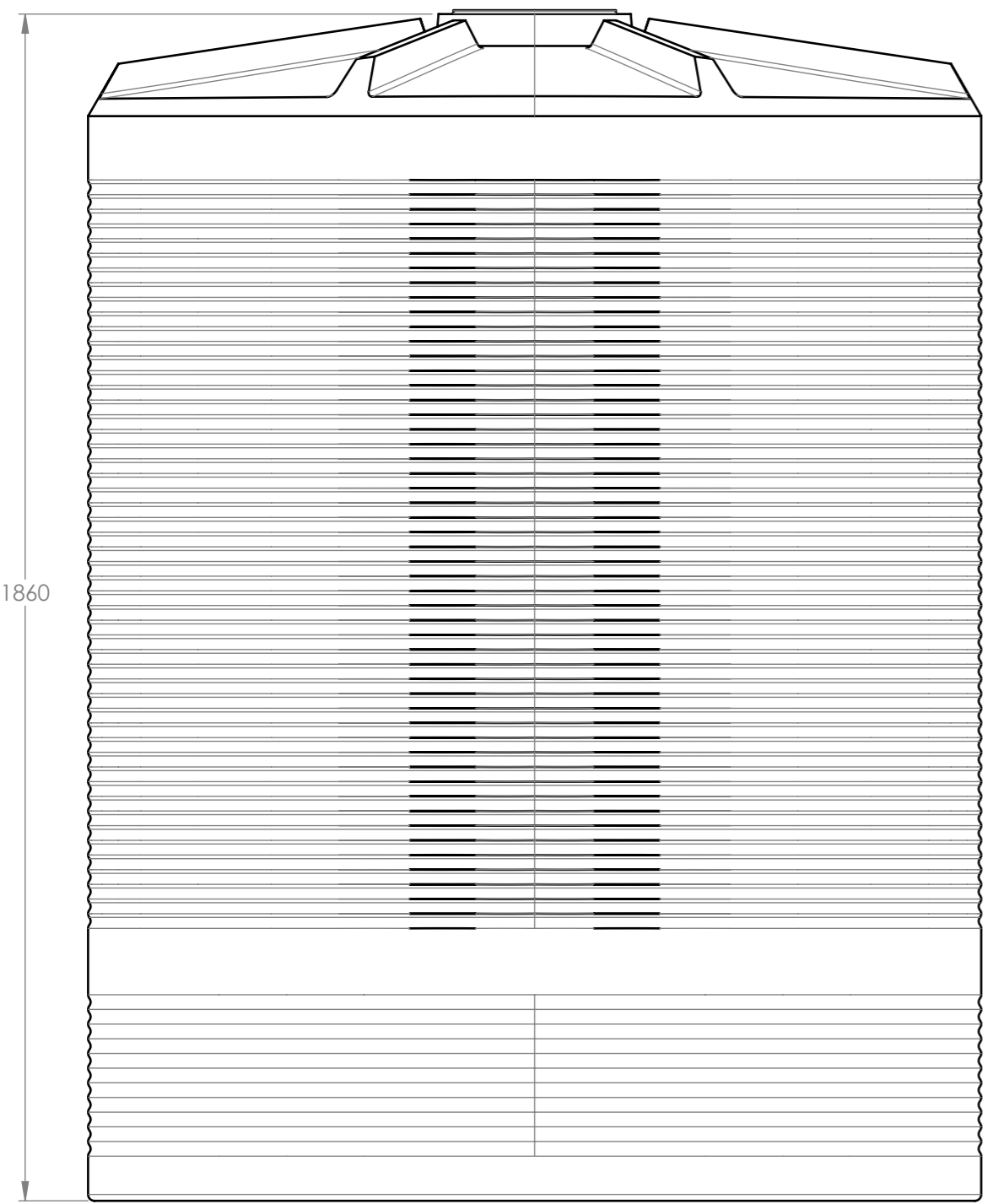
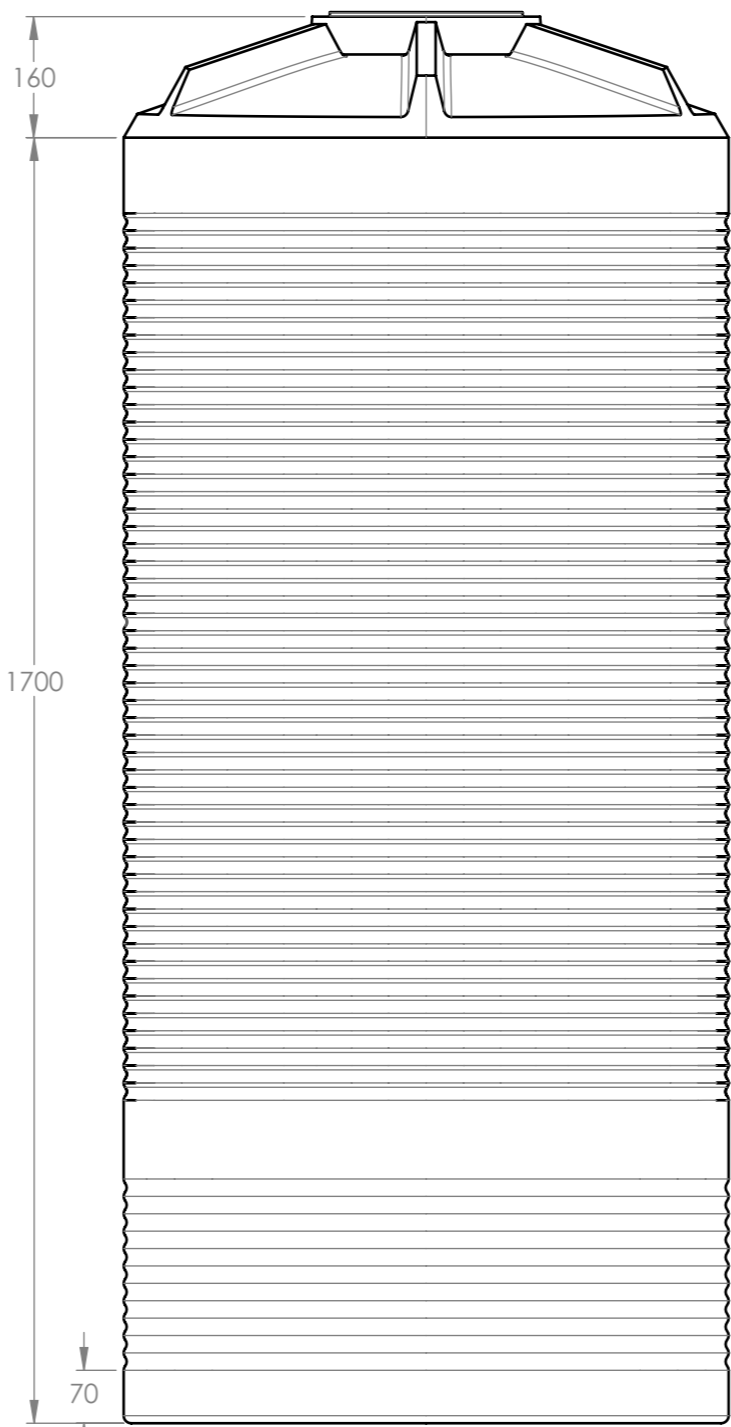


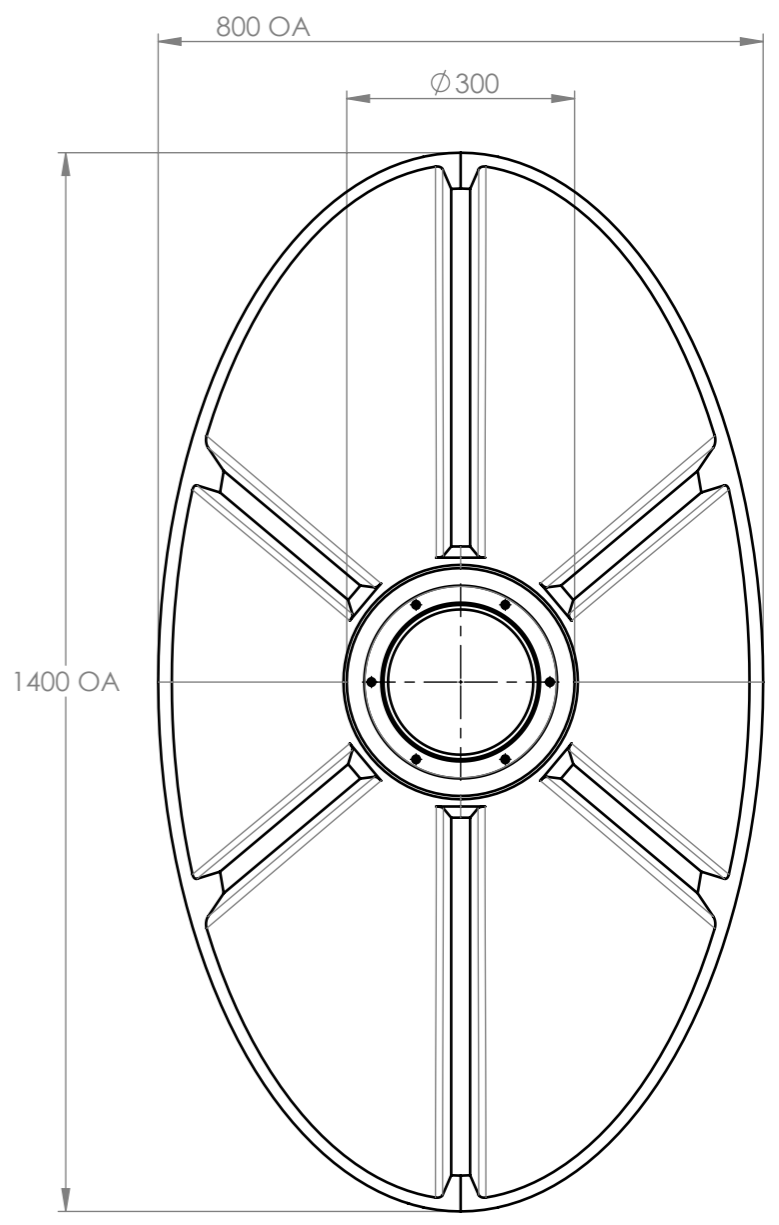
**WATER STORAGE SLIMLINE TANK
1,500L**



FRONT VIEW



END VIEW



PLAN VIEW


REV	DESCRIPTION	DATE
1		

REVISIONS


westcoastpoly
 COMPLETE TANK SOLUTIONS
 2 Uppsala Place,
 Canning Vale 6155,
 Western Australia.
 T: +61 (08) 9456 5888
 F: +61 (08) 9456 5855
 E: sales@westcoastpoly.com.au

DESCRIPTION: 1,500lt STORAGE TANK
 FILE NAME: Eliptical Household Water Tank
 This drawing is the property of West Coast Poly. It cannot be copied in part or full without the written permission of West Coast Poly.

CUSTOMER:
 DATE:
 SCALE: 1:30
 SHEET 1 OF 1


A3
12-567