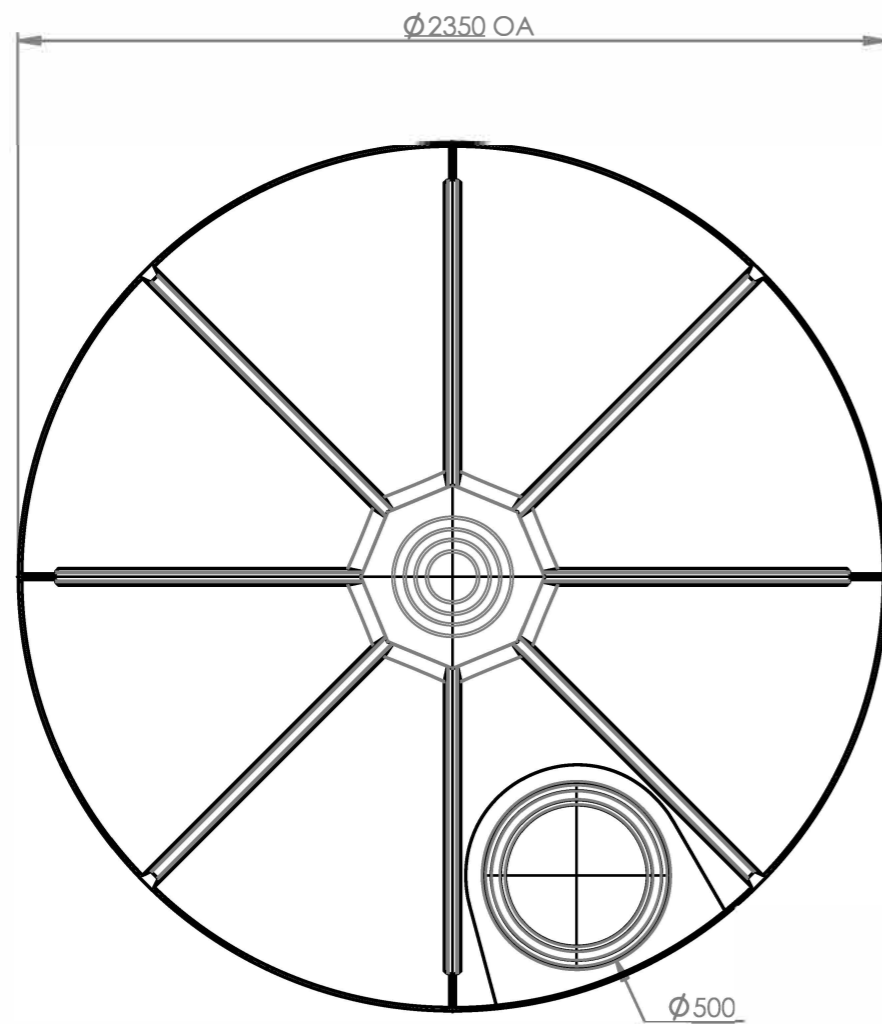
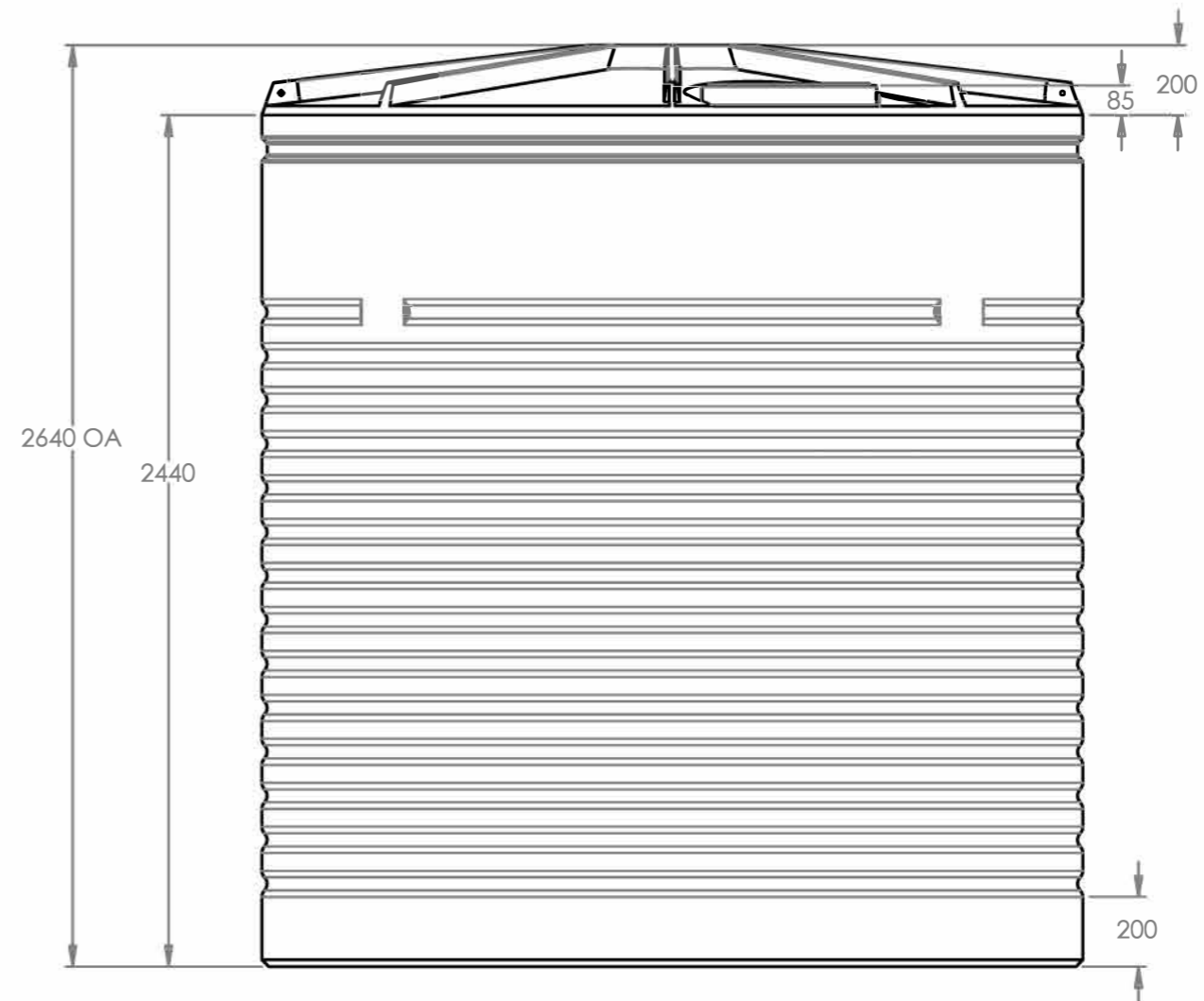


STORAGE TANK 10,000L



PLAN VIEW



SIDE VIEW

REV	DESCRIPTION	DATE

REVISIONS



NOTE: ALL TOLERANCES $\pm 10\text{mm}$
UNLESS NOTED OTHERWISE

2 Uppsala Place,
Canning Vale 6155,
Western Australia.
T: +61 (08) 9456 5888
F: +61 (08) 9456 5855
E: sales@westcoastpoly.com.au

DESCRIPTION: 10,000lt STORAGE TANK
FILE NAME: 2200 Gallon Storage Tank

CUSTOMER:

DATE:
SCALE: 1:20
SHEET 1 OF 1



A3

This drawing is the property of West Coast Poly. It cannot be copied in part or full without the written permission of West Coast Poly.

12-567