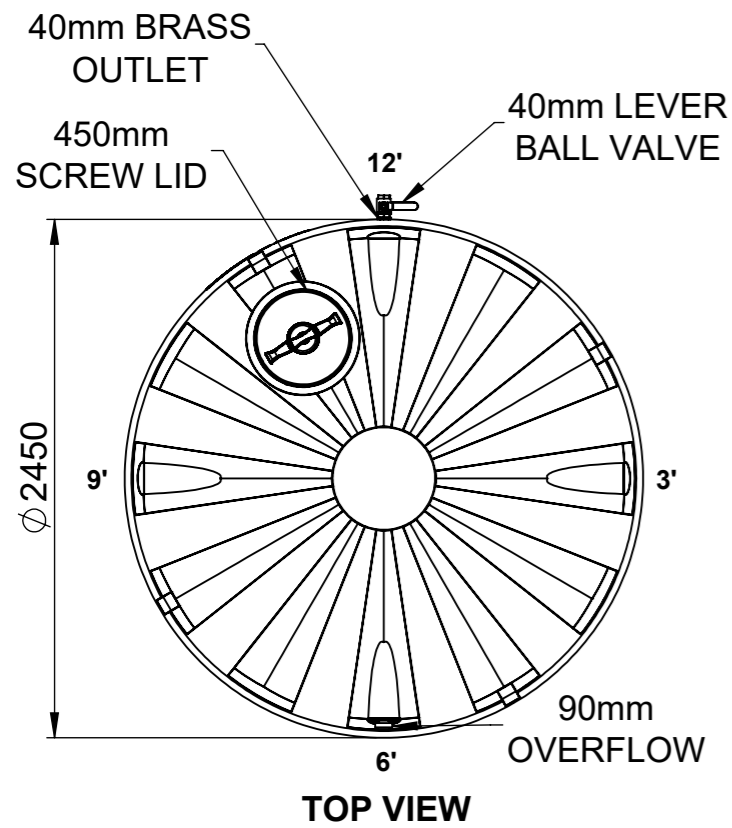


10,500LTR FLAT WALLED POLY WATER TANK



INSTALLATION:

TANKS ARE TO BE INSTALLED ON A WELL COMPACTED, LEVELLED EARTH PAD, FREE FROM SHARP OR LOCALISED HARD STONES/OBJECTS THAT COULD DAMAGE THE TANK BASE. THE ROOF OF THIS TANK IS INTENDED ONLY TO COVER AND IS NOT TO BE TRAFFICABLE ROOF.

MATERIAL:

LLDPE MATERIAL DESIGNED SPECIFICALLY FOR ROTATIONAL MOULDING APPLICATIONS DELIVERING A HIGH ESCR, CHEMICAL RESISTANCE, STIFFNESS AND TOUGHNESS WHICH IS UV STABILISED TO PROVIDE PROLONGED OUTDOOR PROTECTION IN HARSH AUSTRALIAN CONDITIONS.

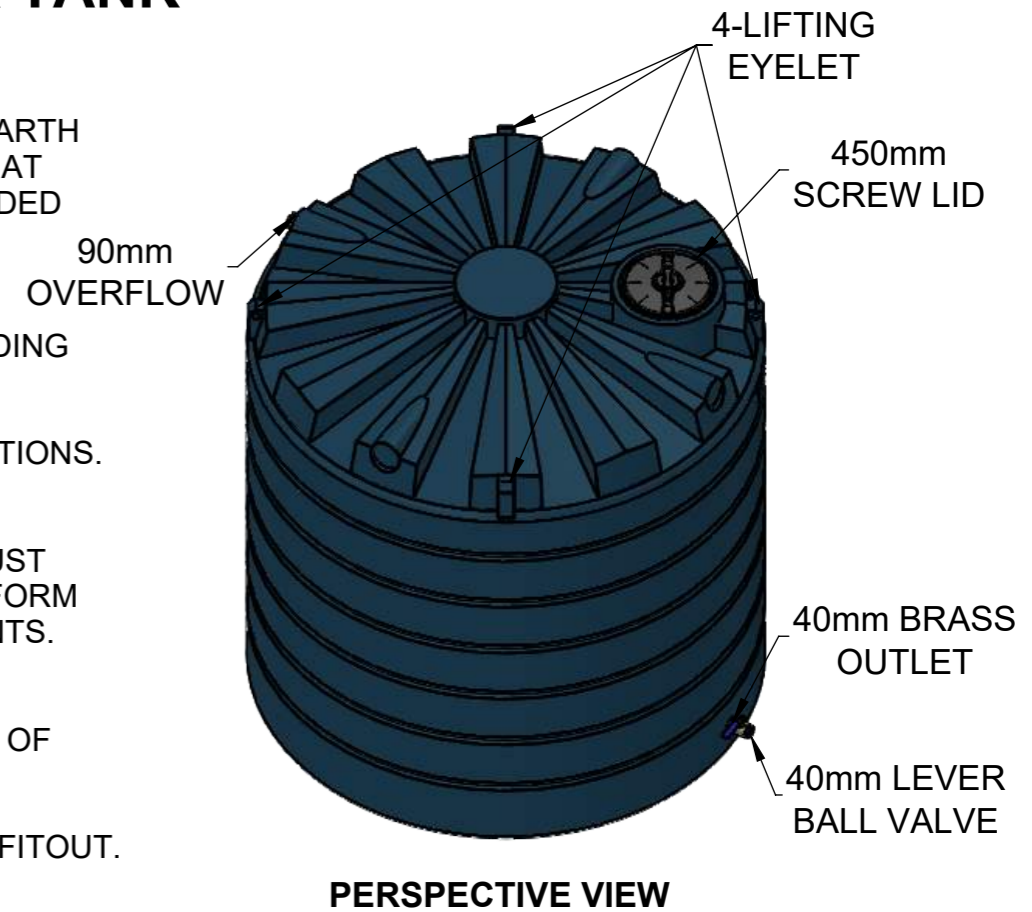
STANDARDS:

ALL TANKS BY COERCO ARE MANUFACTURED IN GUIDANCE WITH AUST STANDARD AS4766 AND ARE STRUCTURALLY ENGINEERED TO CONFORM TO CYCLONIC AREAS AND STRESS ANALYSIS TESTING REQUIREMENTS.

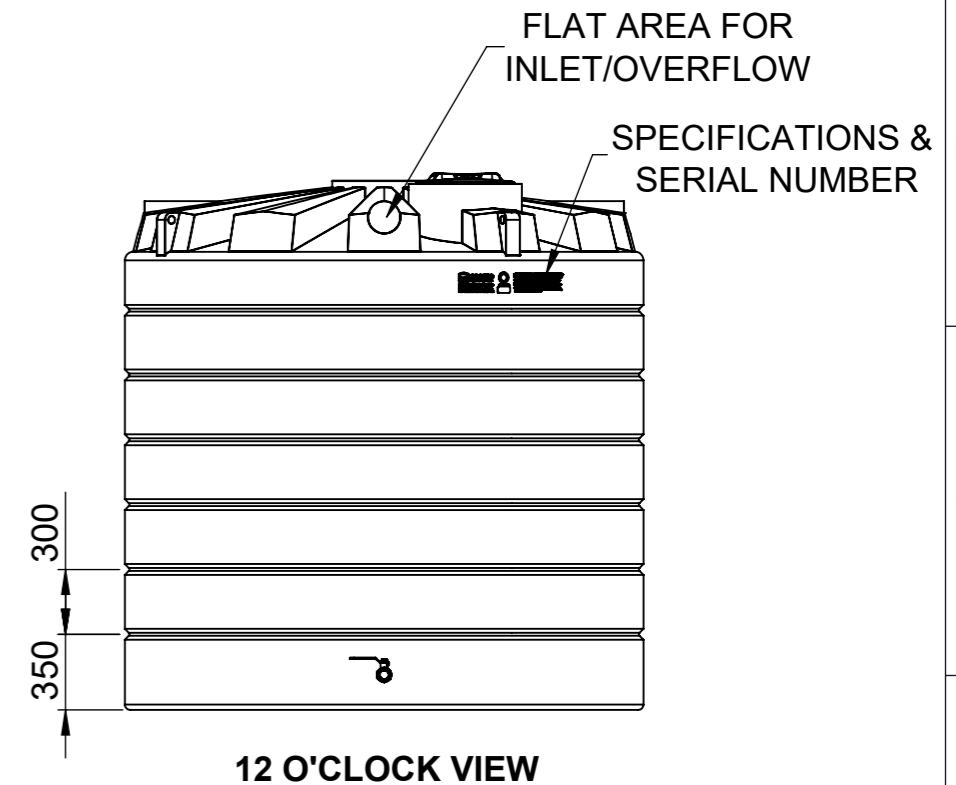
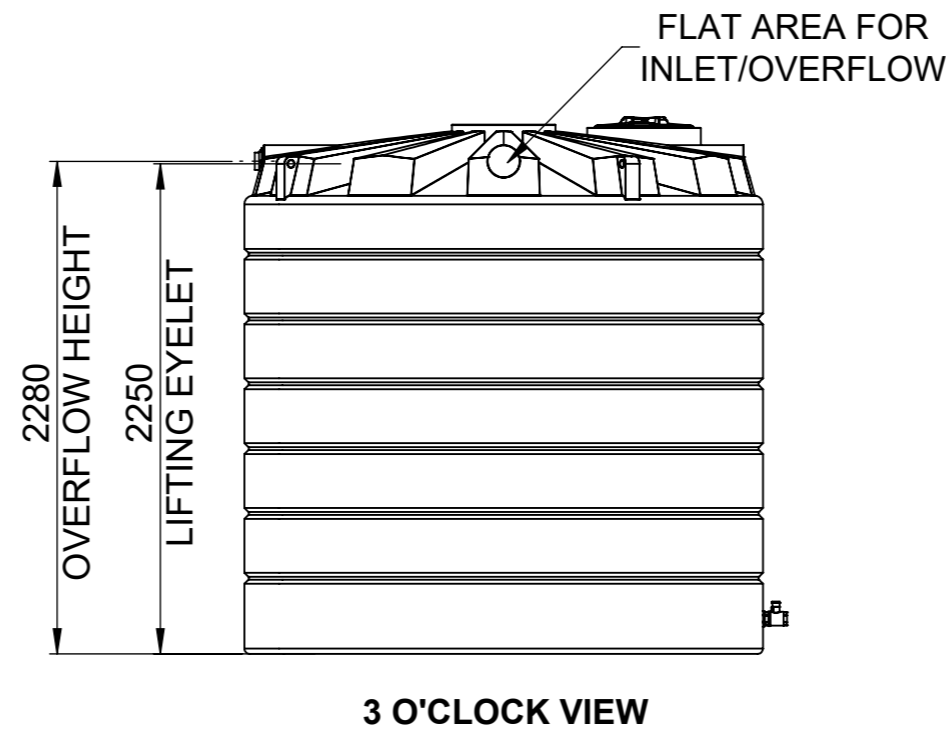
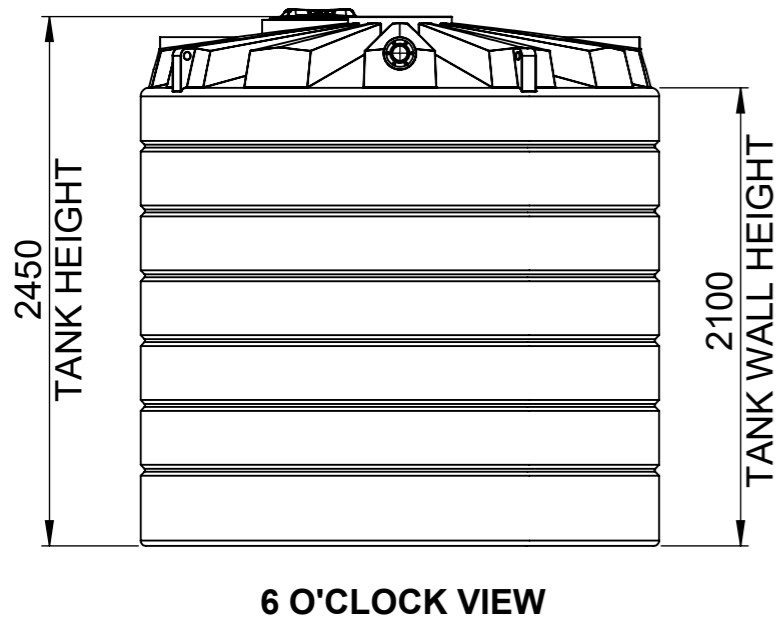
DIMENSIONS:

DIMENSIONS MAY VARY SLIGHTLY DUE TO THE SHRINKAGE NATURE OF POLYETHYLENE.

NOTE: THIS DRAWING DETAILS COERCO'S **STANDARD** WATER TANK FITOUT.



	CERTIFICATION	RSA REF: 19-0130
	The structure shown on this drawing has been approved by a Chartered Professional Engineer in accordance with the structural requirements of the Building Code of Australia.	
	Signed: <i>Robin Salter</i> Date: 18/03/2019	
	Robin Salter BEng(Hons) FIEAust CPEng NER RPEQ RSA Pty Ltd Unit 6, 9 Playle Street, Myaree WA 6154 T: +61 08 9317 3331 E: info@rsaeng.com.au	



DATE 26/02/2019	MATERIAL LOW DENSITY POLYETHYLENE
PRODUCT 10,500LTR FLAT WALLED POLY WATER TANK	SURFACE FINISH POLISHED
PRODUCT CODE JRR10500	WALL THICKNESS
DRAWING No C-JRR10500-001	SCALE NOT TO SCALE

REV	BY	DATE	DESCRIPTION
0	GT	26/02/2019	ORIGINAL CAD DRAWING ISSUED

SHEET 1 OF 1
 CHKD
 APVD
 SHEET SIZE **A3**