



JESX

Stainless Steel Jet Pumps



	Page
-SPECIFICATIONS	
Features & Applications	100
Typical Exploded View	101
Pump & Motor Specifications	102
-PERFORMANCE CURVES	
Performance Curve -	200
-CONSTRUCTIONS	
Constructions – Sectional View	300
Constructions – Mechanical Seal	301
Constructions – Diagram and Electrical Connections	302
-DIMENSIONS	
Dimensions – Packing and Weight	400
-TECHNICAL DATA	
Technical Data – Motor and Bearings	500
Pump Installation	501



Stainless Steel Jet pumps manufactured in stainless steel. Suitable for boosting or transfer of water, small scale irrigation, tank & pool emptying, etc.

Specifications

- Maximum working pressure : 6 bar
- Maximum liquid temperature: 45°C

Materials

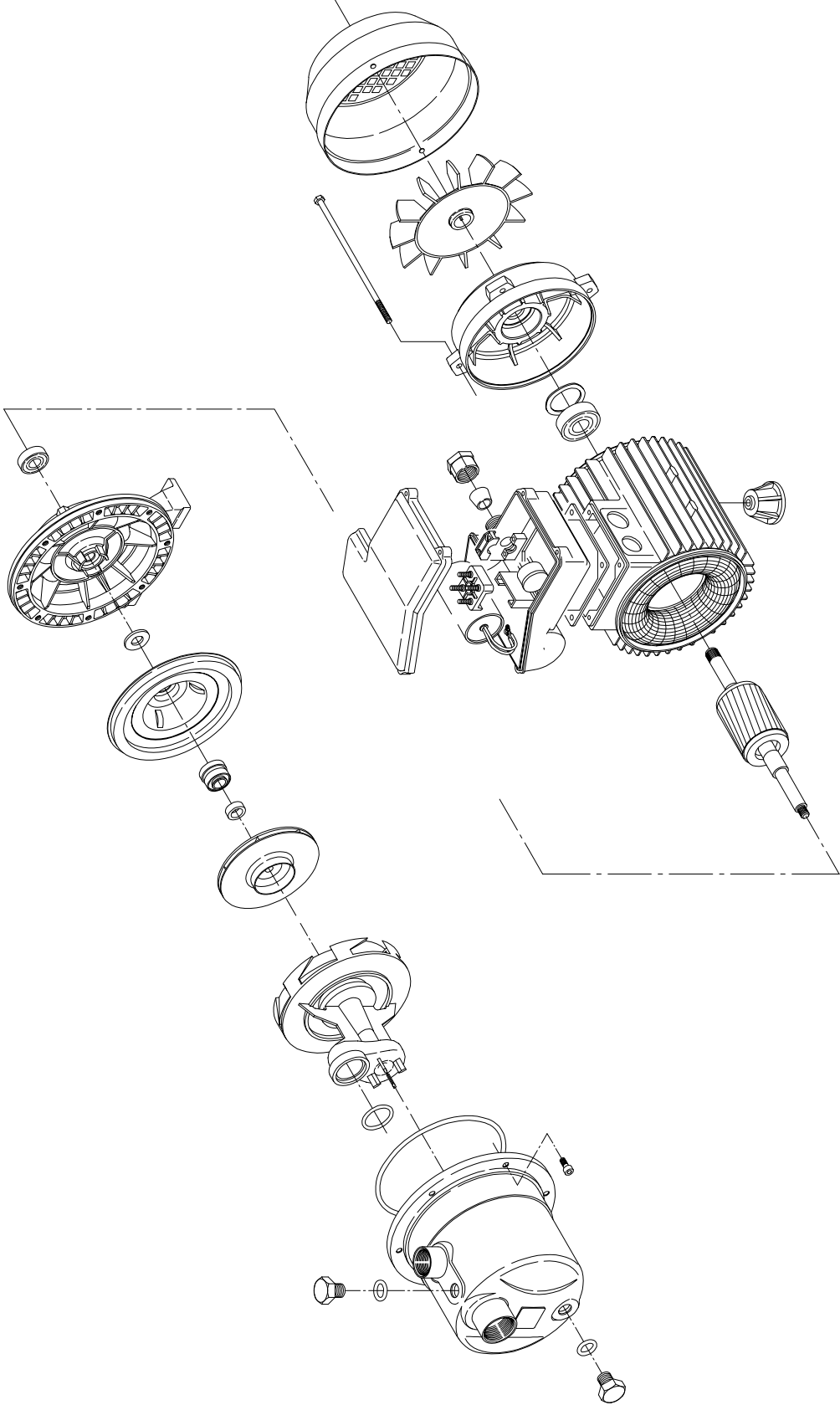
- Pump casing: 304 Stainless Steel
- Impeller: Noryl
- Jet & Diffuser: Noryl
- Shaft : AISI 303 Stainless Steel (in contact with liquid)
- Bracket: Aluminium
- Mechanical Seal: Carbon/Ceramic/NBR

Technical Data

- TEFC, 2 pole motor
- Insulation class F
- IP55 protection
- 1Ø, 240 Volt, 50 Hz
- Permanent split capacitor
- Automatic thermal overload protection

Supply

- 1.8 m cable with 3 pin plug
- Available as pressure system with pressure switch or Presscontrol



SPECIFICATIONS

50Hz

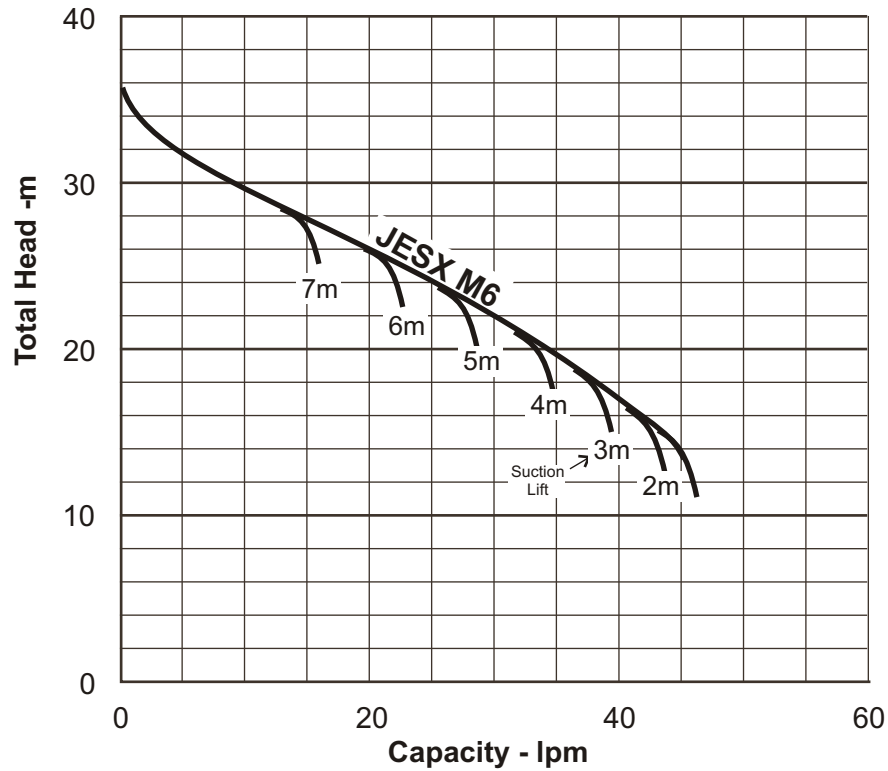
V11

PUMP		
Liquid Handled	Type of liquid	Clean water
	Max temperature [°C]	45
Maximum working pressure	[MPa]	0.6
Maximum suction depth	[m]	8
Construction	Impeller	Closed centrifugal type
	Shaft seal type	Mechanical seal
	Bearing	Sealed ball bearing
Pipe Connection	Suction [inch]	G 1 UNI ISO 228
	Discharge [inch]	G 1 UNI ISO 228
Material	Casing	AISI 304
	Impeller	PPO mod. glass fibre reinforced
	Shaft seal	Ceramic/Carbon/NBR
	Casing cover	AISI 304
	Shaft	AISI 303 (Wet extension)
	Bracket	Aluminium
	Ejector	PPO mod. glass fibre reinforced
Diffuser	PPO mod. glass fibre reinforced	
Applicable standard of test		ISO 9906 - Annex A

MOTOR		
Type	Electric - TEFC Single Phase	
No. of Poles	2	
Synchronous speed [min ⁻¹]	3000	
Insulation Class	Class F	
Protection degree	IP 55	
Power rating	[kW]	0.44
	[HP]	0.6
Voltage [V]	230V ±10%	
Capacitor (Single Phase)	Built in	
Over load protection	Built in	
Casing material	Aluminium	
Base material/motor support	Aluminium	
Dimensions of cable entry	PG11	

PUMP CHARACTERISTIC PERFORMANCE

JESX M6 (0.44 kW) SYNCHRONOUS SPEED : 3000 r.p.m.

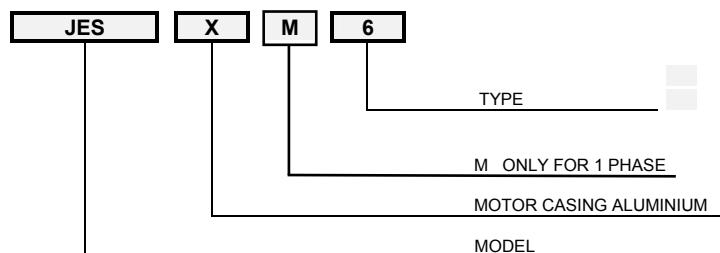


Type pumps Single Phase 230 V 50 Hz	kW	HP	Q=Capacity			
			l/min 5	20	40	45
JESXM 6	0.44	0.6	31.5	26	17	13.5

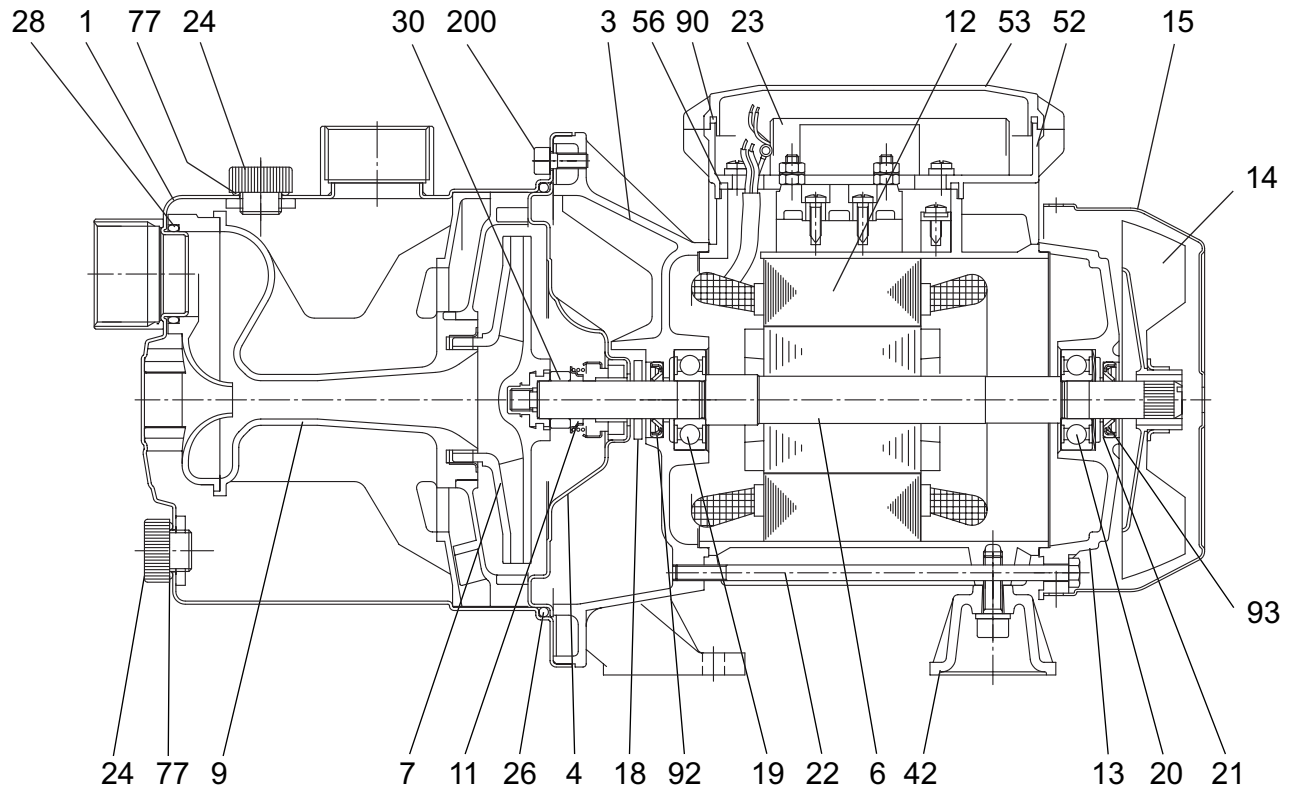
m³/h 0.3 1.2 2.4 2.7
 H=Total manometric head in meters

Temperature of water: 20°C
 Impeller diameter = 104 mm
 Applicable standard of test: ISO 9906 – Annex A

TYPE KEY:

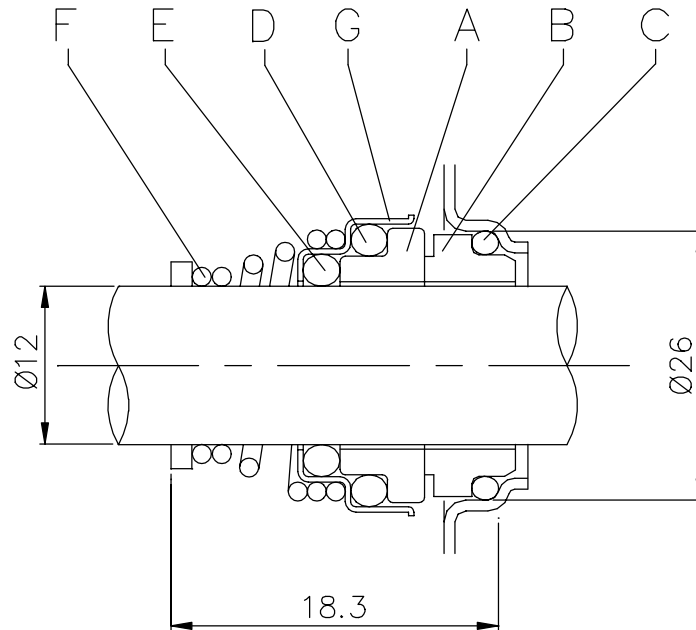


SECTIONAL VIEW



No.	PART NAME	MATERIAL	QTY	No.	PART NAME	MATERIAL	QTY
1	Casing	AISI 304 Stainless Steel	1	22	Tie rod	Fe 42	4
3	Motor bracket	Aluminium	1	23	Capacitor	-	1
4	Casing cover	AISI 304 Stainless Steel	1	24	Priming/Drain plug	Nylon	2
6	Shaft with rotor	AISI 303 S/Steel <small>(Part in contact with liquid)</small>	1	26	O-ring	NBR	1
7	Impeller	Noryl	1	28	O-ring	NBR	1
9	Diffuser Venturi tube	Noryl	1	30	Mechanical seal spacer	Brass	1
11	Mechanical seal	Carbon/Ceramic/NBR	1	42	Motor support	Aluminium	1
12	Motor frame with stator	-	1	52	Terminal box	ABS	1
13	Motor cover	Aluminium	1	53	Terminal box cover	ABS	1
14	Fan	Polypropylene	1	56	Box gasket	NBR	1
15	Fan cover	Fe P04	1	77	O-ring	NBR	2
18	Splash ring	NBR	1	90	Cover Gasket	NBR	1
19	Pump side ball bearing	-	1	92	Lip Seal	-	1
20	Fan side ball bearing	-	1	93	Lip Seal	-	1
21	Adjusting Ring	Steel S780	1	200	Screw	Stainless steel A2 UNI7323	6

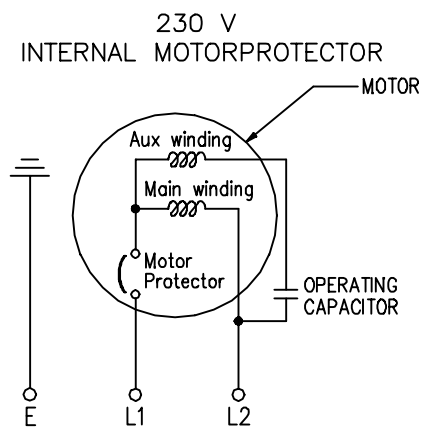
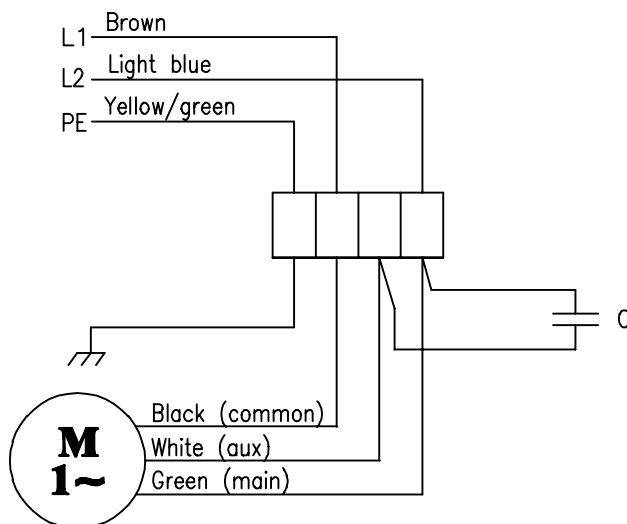
MECHANICAL SEAL



REF	PART NAME	MATERIAL
A	Rotary seal ring	ceramic
B	Stationary seal ring	carbon graphite
C	O Ring	NBR
D	O Ring	NBR
E	O Ring	NBR
F	Self driving spring	AISI 316
G	Frame	AISI 304

DIAGRAM AND ELECTRIC CONNECTIONS

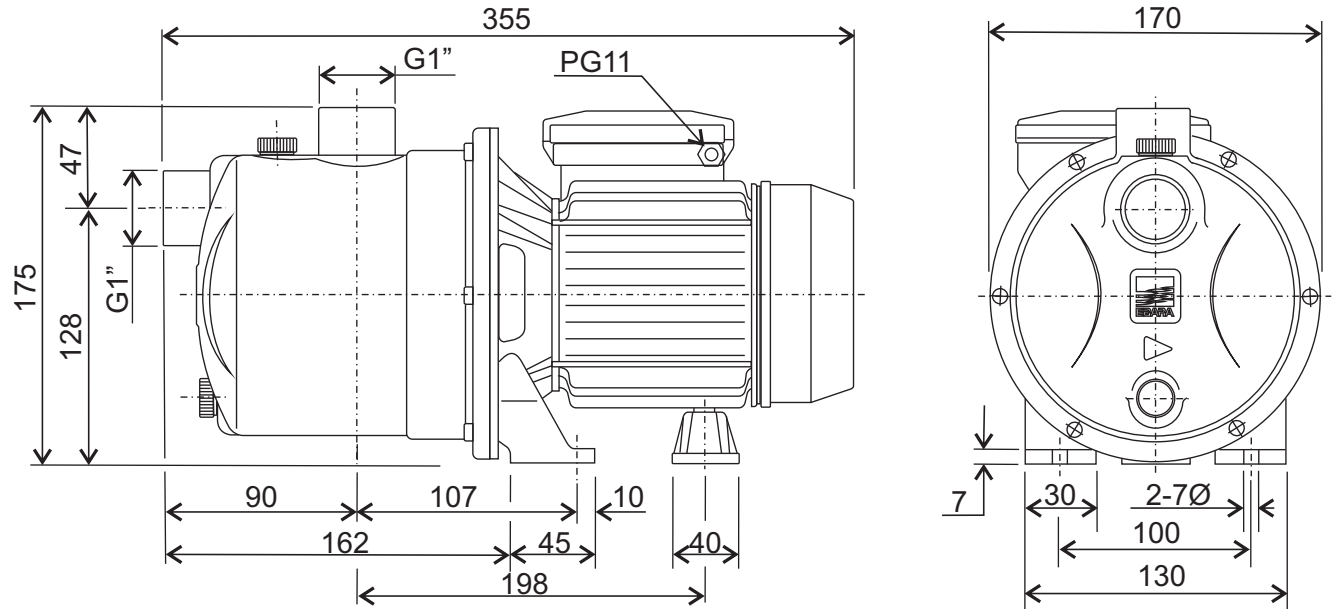
SINGLE PHASE MOTOR



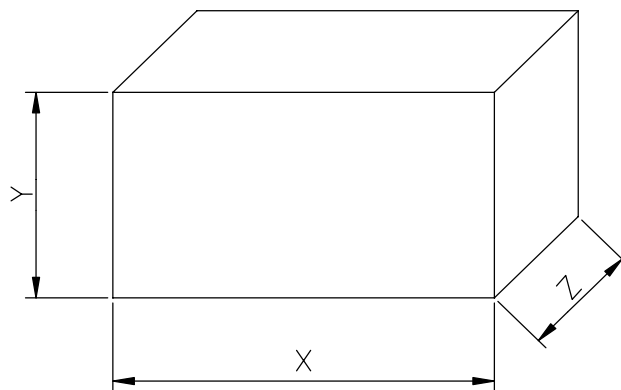
DIMENSIONS

50Hz

V11



PACKING AND WEIGHT



Type pumps	PACKING [mm]			WEIGHT [kg] Single Phase
	X	Y	Z	
JESXM 6	182	220	372	5.5

Type pumps Single Phase 230 V 50 Hz	kW	HP	Capacitor Single Phase		Input [kW] Single Phase	Full load current [A] Single Phase	Locked rotor current Single Phase 230 V 50 Hz
			μF	Vc			
JESXM 6	0.45	0.6	10	450	0.54	2.4	8.5

Type pumps Single Phase 230 V 50 Hz	Ball Bearing	
	Pump side	Fan side
JESXM 6	6201 ZZ	6201 ZZ



Install a foot valve or check valve in the suction pipe.
Support the suction and delivery pipe to prevent damage to the pump casing.

