

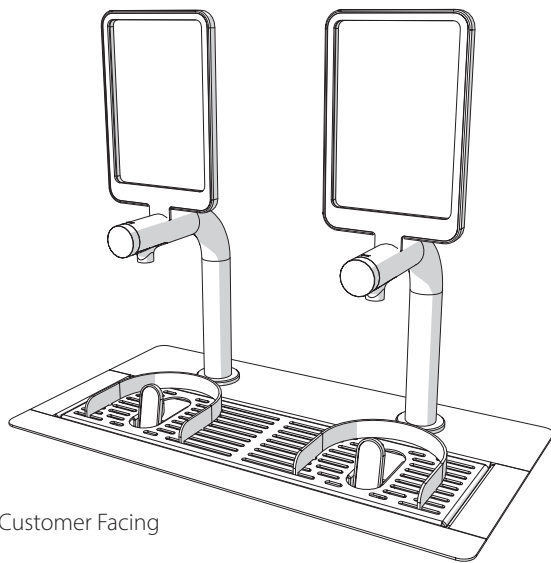
# Installation Overview

## General placement of components

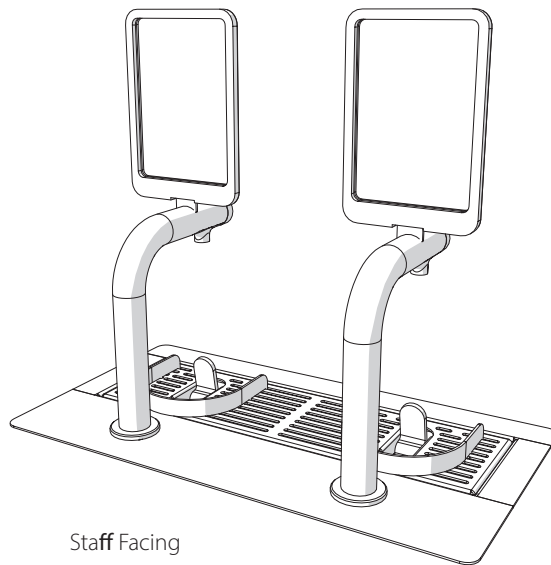
D00162 A04 1/3

### Customer or Staff Facing

Freepour Batch can be installed facing your customers or staff.



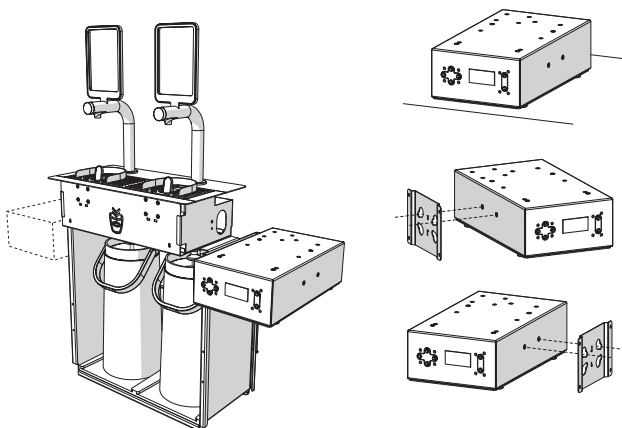
Customer Facing



Staff Facing

### Mounting the Control Unit

The Airpot Frame has holes in the sides which make it possible to mount the Control Unit on the left or right side of the frame. Rubber feet on the controller mean you can also sit it on a shelf. An optional side mounting bracket can also be ordered.



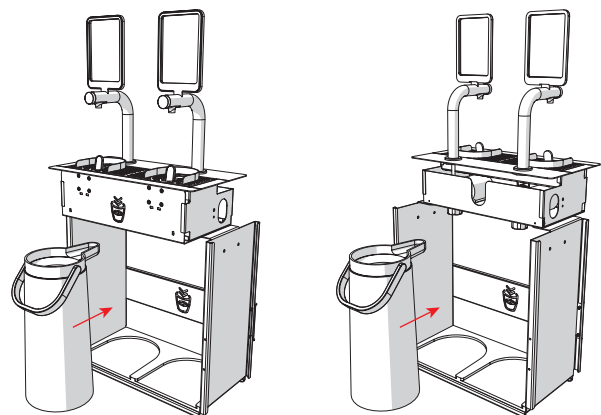
Integrated mounting bracket

The optional mounting bracket can be used on either side of the Control Unit.

### Loading

Airpots can be loaded from the front or from the back of the dispenser. A reversible airpot guide in the base of the Airpot Frame makes sure the airpot is properly aligned with the connector.

The airpot automatically connects as it is pushed into place and is very easily disconnected. This means the unit can be installed a fair distance under the bar and still be easy to load and restock.



Front Loading

Rear Loading