



Door Draft Stopper User Manual

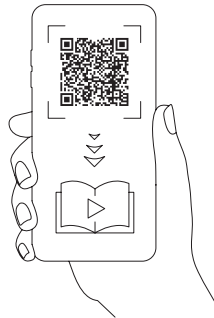
READ AND SAVE THESE INSTRUCTIONS

Inspect Unit Before Use.

Contact support@upperechelonproducts.com immediately for any damaged or defective units.



SCAN QR-CODE
FOR WATCHING
INSTALLATION GUIDE



Watch our video installation guide to see visually how to install the Everlasting Comfort Door Draft Stopper.

<https://www.everlastingcomfort.net/pages/door-draft-stopper-installation>

Attention! This product is only suitable for door gaps between 0.25 inches and 1.5 inches and door widths between 30 inches and 36 inches.

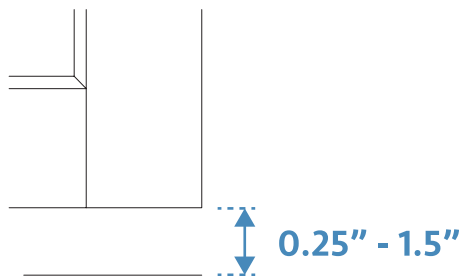
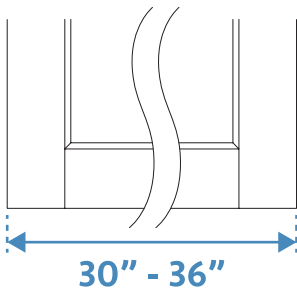
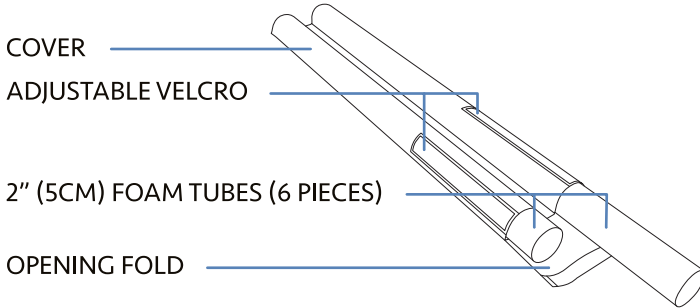


TABLE OF CONTENTS

- 1 COMPONENTS
- 2 ASSEMBLY

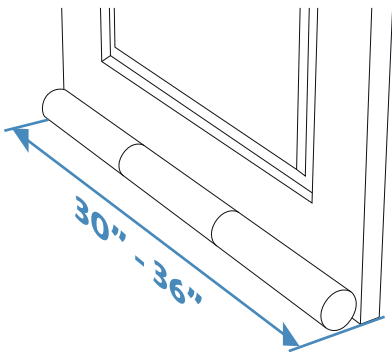
- 3 INSTALLATION
- 4 MAINTENANCE

1. COMPONENTS

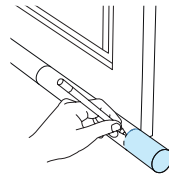


2. ASSEMBLY

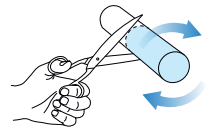
- 1 Line up 3 foam tubes along the bottom edge of your door. The door draft stopper is suitable for doors measuring 30" - 36" wide.



- 2 If there's excess foam, follow the steps below. If there's no excess foam, skip to Step 3.



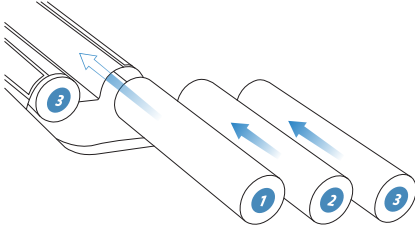
A. Use a pen or marker to mark the excess amount on the foam.



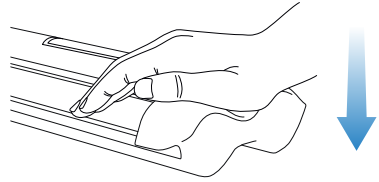
B. Use a pair of household scissors to cut the excess foam off. You may need to twist and angle the scissors to cut through the foam.

Note: Save excess foam should you wish to use the door draft stopper on a wider door.

- 3 Slide 3 foam tubes one after the other into each opening of the door draft stopper.

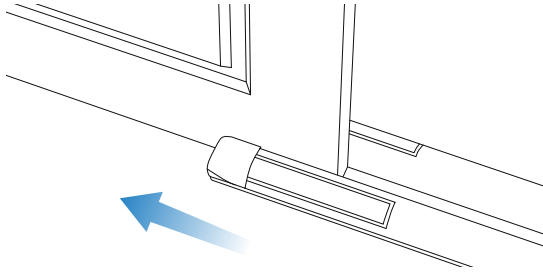


- 4 Fold and press down the hook-and-loop fasteners to close the opening and secure the foam tubes inside the door draft stopper.



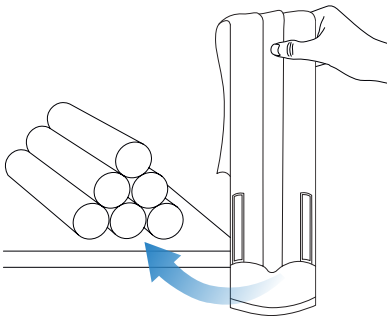
3. INSTALLATION

- 1 Open your door. With the folded opening first, slide the door draft stopper under the bottom edge of your door. To help guide the door draft stopper, you may need to wiggle it back and forth while sliding underneath the door.

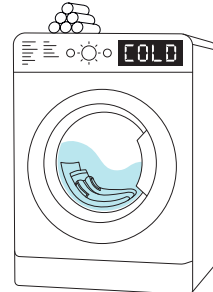


4. MAINTENANCE

- 1 Open the folded opening and remove all 6 foam tubes from the door draft stopper.



- 2 Machine wash cold. Dryer safe on low heat or air fluff.



IMPORTANT: DO NOT PUT FOAM TUBES IN THE WASHER OR DRYER.

TIPS

- 1 Keep this product away from children. This is not a toy.
- 2 If used on uneven surfaces such as certain carpet or exterior doors with saddles or metal thresholds, then you may experience snagging of the Door Draft Stopper when you open and close your door.

To fix, please remove the tubes and cut them as needed to fit the shape of the floor surface. You can make vertical and horizontal cuts to the tubes and shape them to your needs. Keep adjusting until you get a snug fit on the door and reduce resistance when opening and closing.

HAVE AN ISSUE WITH YOUR DOOR DRAFT STOPPER?

Enjoy hassle-free replacements: if your door draft stopper is defective or damaged, we will ship you a new one **ABSOLUTELY FREE**.

For fast and knowledgeable service, get in touch with one of our customer service experts right now!

 everlastingcomfort.net

 +1 787-270-7661

 support@upperechelonproducts.com

WRITE A MESSAGE
TO SUPPORT



To check out more of the products we offer visit:

everlastingcomfort.net

